

Weather Shield®

Premium Wood & Aluminum Clad Windows



610/810 Double Hung Tilt Parts Reference Catalog

Includes:

*Wood Operating Unit • Wood Picture Unit • Wood Transom Unit • Wood 30° Angle Bay Unit •
Wood 45° Angle Bay Unit • Wood Mull Unit • Wood Stack Unit • Clad Operating Unit • Clad Picture Unit •
Clad Transom Unit • Clad 30° Angle Bay Unit • Clad 45° Angle Bay Unit • Clad Mull Unit • Clad Stack Unit
(Eyebrow Units and Special Shapes, see pages 35, 60-61)*

Weather Shield Windows

(Includes DP50 Upgrade)

For Double Hung Tilt Windows Produced After 4/03

#WS1187953 – 6/05

IMPORTANT

Some configured numbers in this catalog MAY NOT be active at the time of your order. CustomQuote™ software is updated regularly to accommodate new configured numbers. If a configured number is not active, please comment the part for ordering. Contact your Customer Relations Representative for assistance.

Weather Shield Mfg., Inc.

Medford, WI 54451 • 715-748-2100



Order Form ① ii

Exploded Views Index 1

Wood Unit Exploded Views/Replacement Parts ② 2

 Wood Operating Unit Exploded View 2

 Wood Operating Unit Replacement Parts 3

 Wood Picture Unit Exploded View 4

 Wood Picture Unit Replacement Parts 5

 Wood Transom Unit Exploded View 6

 Wood Transom Unit Replacement Parts 7

 Wood 30° Angle Bay Unit Exploded View 8

 Wood 30° Angle Bay Unit Replacement Parts 9

 Wood 45° Angle Bay Unit Exploded View 10

 Wood 45° Angle Bay Unit Replacement Parts 11

 Wood Mull Unit Exploded View 12

 Wood Mull Unit Replacement Parts 13

 Wood Stack Unit Exploded View 14

 Wood Stack Unit Replacement Parts 15

Clad Unit Exploded Views/Replacement Parts ② 16

 Clad Operating Unit Exploded View 16

 Clad Operating Unit Replacement Parts 17

 Clad Picture Unit Exploded View 18

 Clad Picture Unit Replacement Parts 19

 Clad Transom Unit Exploded View 20

 Clad Transom Unit Replacement Parts 21

 Clad 30° Angle Bay Unit Exploded View 22

 Clad 30° Angle Bay Unit Replacement Parts 23

 Clad 45° Angle Bay Unit Exploded View 24

 Clad 45° Angle Bay Unit Replacement Parts 25

 Clad Mull Unit Exploded View 26

 Clad Mull Unit Replacement Parts 27

 Clad Stack Unit Exploded View 28

 Clad Stack Unit Replacement Parts 29

Screen Exploded Views/Replacement Parts ② 30

 Standard Screen Exploded View 30

 Standard Screen Replacement Parts 31

 Storm Screen Unit Exploded View 32

 Storm Screen Unit Replacement Parts 33

Replacement Parts ③ 34

Wood Unit Measuring Diagrams/Formulas ④ 49

 Wood Operating Unit 49

 Wood Picture Unit 50

 Wood Transom 51

 Wood 30° Angle Bay 52

 Wood 45° Angle Bay 53

Clad Unit Measuring Diagrams/Formulas ④ 54

 Clad Operating Unit 54

 Clad Picture Unit 55

 Clad Transom 56

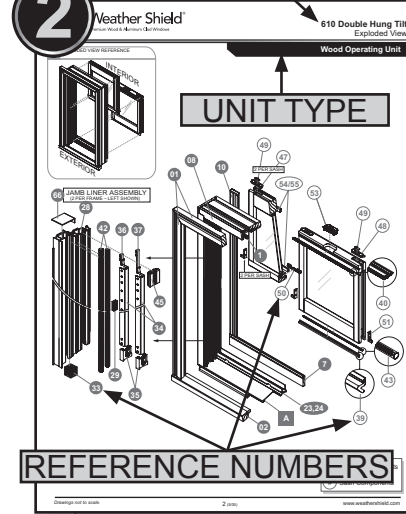
 Clad 30° Angle Bay 57

 Clad 45° Angle Bay 58

Balance Codes/Part Numbers 59

1 ABOUT THIS SECTION:
The **Order Form** is used for ordering parts that cannot be ordered with a part/extrusion/configured number alone. Where no part/extrusion/configured number is provided, complete the order form and fax it to (or call) your Customer Relations Representative. **When ordering parts using CustomQuote™, you will need to specify the unit size and color/finish information in addition to the configured number.** The Order Form will help you determine and record this information. Please complete all applicable items.

2 PRODUCT AND PAGE CONTENT



ABOUT THIS SECTION:
The **Exploded View** Section shows part location. Each replacement part is identified by a circled Reference Number. Where more than one part may be used, more than one Reference Number is shown. Numbers in white boxes represent parts that are not shown in the Exploded View but can be found in the Replacement Parts Section (3).

Numbers in black boxes are shown for reference only and will not be found in the in the Replacement Parts Section (3). Following each Exploded View is a corresponding **Replacement Parts Index**. Each part's description and its location in the Replacement Parts Section (3) is shown next to its Reference Number in the index.

3 ABOUT THIS SECTION:
The **Replacement Parts** Section contains detailed views of individual replacement parts as well as ordering information. Part drawings are ordered sequentially by reference number. Each drawing is accompanied by four digit extrusion numbers, six or more digit part numbers, and/or *configured numbers*¹. Use these numbers when ordering your replacement part(s).

At the end of some part descriptions are "Start-End Dates" which indicate when a part's production started or ended. These are represented by braces { } enclosing the letter "S" (Start) or "E" (End) and a date. Example: {S 1-05}

¹ Numbers starting with the letter "C" and ending with six or more digits are **configured numbers**. Example: C123456. Use these numbers to enter your order in CustomQuote™. Some configured numbers in this catalog MAY NOT be active at the time of your order. CustomQuote™ software is updated regularly to accommodate new configured numbers. If a configured number is not active, please comment the part for ordering. Contact your Customer Relations Representative for assistance.

4 ABOUT THIS SECTION:
The **Measuring** Section shows how to measure your unit. The generic cross-sections illustrate reference points that can be used with the formulas to determine unit dimensions. Part profiles are generic and for illustration purposes only. The reference points apply to measurements made on all units.



Order Form

Please Read First

INSTRUCTIONS

I AM ORDERING: (Check all that apply)

- | | | |
|--|--|---|
| <input type="checkbox"/> Replacement Sash | <input type="checkbox"/> Replacement Perimeter Grilles | <input type="checkbox"/> Replacement Screen |
| <input type="checkbox"/> Replacement Glass | <input type="checkbox"/> Replacement Interior Trim | <input type="checkbox"/> Replacement Radius Unit Inside Stop |
| <input type="checkbox"/> Replacement Glazing Beads | <input type="checkbox"/> Replacement Exterior Trim | <input type="checkbox"/> Other _____
<i>(Please Specify)</i> |

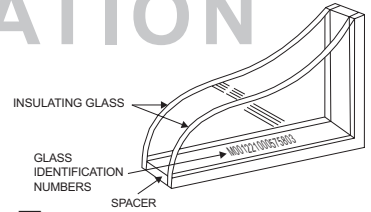
Complete All Applicable Sections and Items

Section 1 REQUIRED

UNIT INFORMATION

1. Manufacturing Date/Glass Identification Numbers _____

2. Unit Ordering Code _____



3. Finish: Interior (Wood Only)

- Pine Cherry Mahogany Alder
 Maple Amer. Fir Oak Primed
 Color _____ No Fingerlift Routs*

**Fingerlift Routs are standard*

Finish: Exterior (Clad Wood)

- Primed White Tan Adobe
 Cameo Obsidian Bronze
 Green Other** _____

***Include Designer Color, Custom Color, or Anodized*

4. Quantity _____ (# of units requiring replacement parts)

5. Sash Top Bottom Stationary

- Operating Picture Transom Eyebrow Square Out/Radius In Oriel

6. Special Shapes

- Arch Top Arch Top w/ Extended Legs Quarter Arch Top Quarter Arch Top w/ Extended Legs
 Half Circle Half Circle w/ Extended Legs Quarter Circle Quarter Circle w/ Extended Legs
 True Half Ellipse True Ellipse w/ Extended Legs True Quarter Ellipse True Quarter Ellipse w/ Extended Legs

Quantity _____ Quantity Left* _____ Quantity Right* _____ (**Left and Right quantities are required for Quarter Radius Units only*)

Width _____ Height _____ Short Leg Height** _____ (***Short Leg Height is required for Extended Leg Radius Units only*)

Section 2

GLASS OPTIONS

7. Glass

- Single Glaze Insul Insul Low E Argon Gas Value R4 Value R5
 Tempered Glass Krypton/Argon Gas Capillary Tubes
 Specialty Glass _____ (Bronze, Gray, Obscure, Wire, Evergreen, Rain) *Pattern glass not available with SDL.*

Section 3

HARDWARE FINISHES

8. Sash Lock/Keeper/Tilt Latch Finish

- Goldtone/Beige White/Beige Adobe/Beige Bright Brass/ Bright Brass
 Oil-Rubbed Bronze/Beige Brushed Nickel/Beige Brushed Chrome/Beige


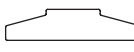


Section 4

GLAZING OPTION ACCESSORIES

9. Accessory Configuration _____ Wide _____ High
(See **EXAMPLE 1**)

10. SDL Bars

Standard SDL Bars  Low Profile SDL Bars 
 7/8" 1-3/8" 2" 7/8" 1-3/8" 2"

11. Airspace Grilles

  
 5/8" Flat 11/16" Sculptured 15/16" Sculptured

Color _____

12. Anodized Spacer Silver Bronze Black
 Warm Edge Stainless Steel


13. Wood Perimeter Grilles

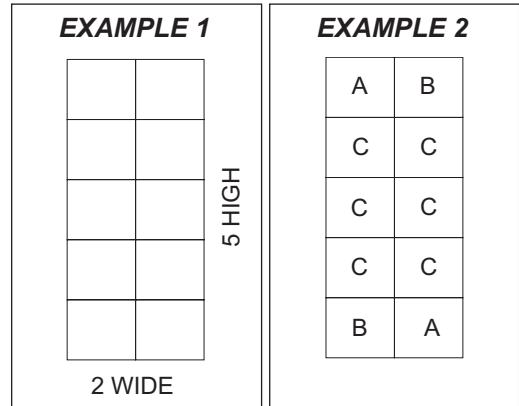
5/8" 7/8" 1 3/8"

Pattern _____

14. TDL (wood sash only) 7/8" 1 3/8"

	Quantity*	(See EXAMPLE 2)
7/8" TDL only	<input type="checkbox"/> A _____	*Enter the quantity of lites with glazing beads to be replaced next to the appropriate location(s) (A, B, C) [Bead sizes differ according to location]
	<input type="checkbox"/> B _____	
	<input type="checkbox"/> C _____	

15. Perimeter Grille Clip  Quantity: 1 (Part #980721) 11 (Part #190120) 25 (Part #190122)
per package 7 (Part #190119) 16 (Part #190121) 50 (Part #190123)



Section 5

INTERIOR/EXTERIOR ACCESSORIES

16. Exterior Wood Accessories

Brick Mould Stucco Mould
 Flat Casing (Size _____) Washington Casing Franklin Casing

17. Exterior Aluminum Accessories

Brick Mould 1" Brick Mould 3-1/2" Flat Casing Washington Casing

18. Interior Accessories

Jamb Extensions (Size _____) Interior Trim (Style [A-L] _____) Rosettes (For Trim Style _____)
 Applied Sash Lifts Installation Clips (5 1/2" 11") High Performance Clip

Section 6

SCREENS

19. Screen Type: Standard Full Size Standard Half Size Storm Screen Combo

20. Screen Finish: Same as Exterior Other _____

21. Screen Cloth: Fiberglass Aluminum



610



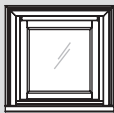
Wood Operating Unit

PAGES 2-3



Wood Picture Unit

PAGES 4-5



Wood Transom Unit

PAGES 6-7



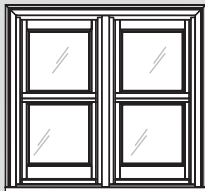
Wood 30° Angle Bay Unit

PAGES 8-9



Wood 45° Angle Bay Unit

PAGES 10-11



Wood Mull Unit

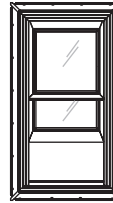
PAGES 12-13



Wood Stack Unit

PAGES 14-15

810



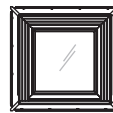
Clad Operating Unit

PAGES 16-17



Clad Picture Unit

PAGES 18-19



Clad Transom Unit

PAGES 20-21



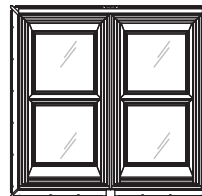
Clad 30° Angle Bay Unit

PAGES 22-23



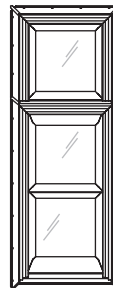
Clad 45° Angle Bay Unit

PAGES 24-25



Clad Mull Unit

PAGES 26-27



Clad Stack Unit

PAGES 28-29

Screen

Screen

PAGES 30-31

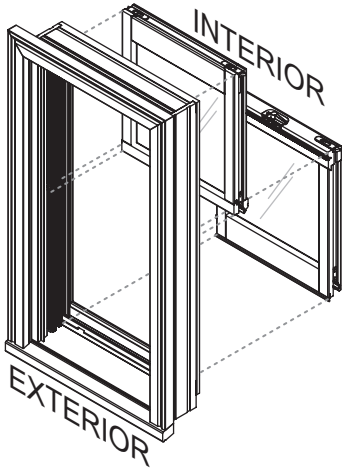
Storm Screen Unit

PAGES 32-33

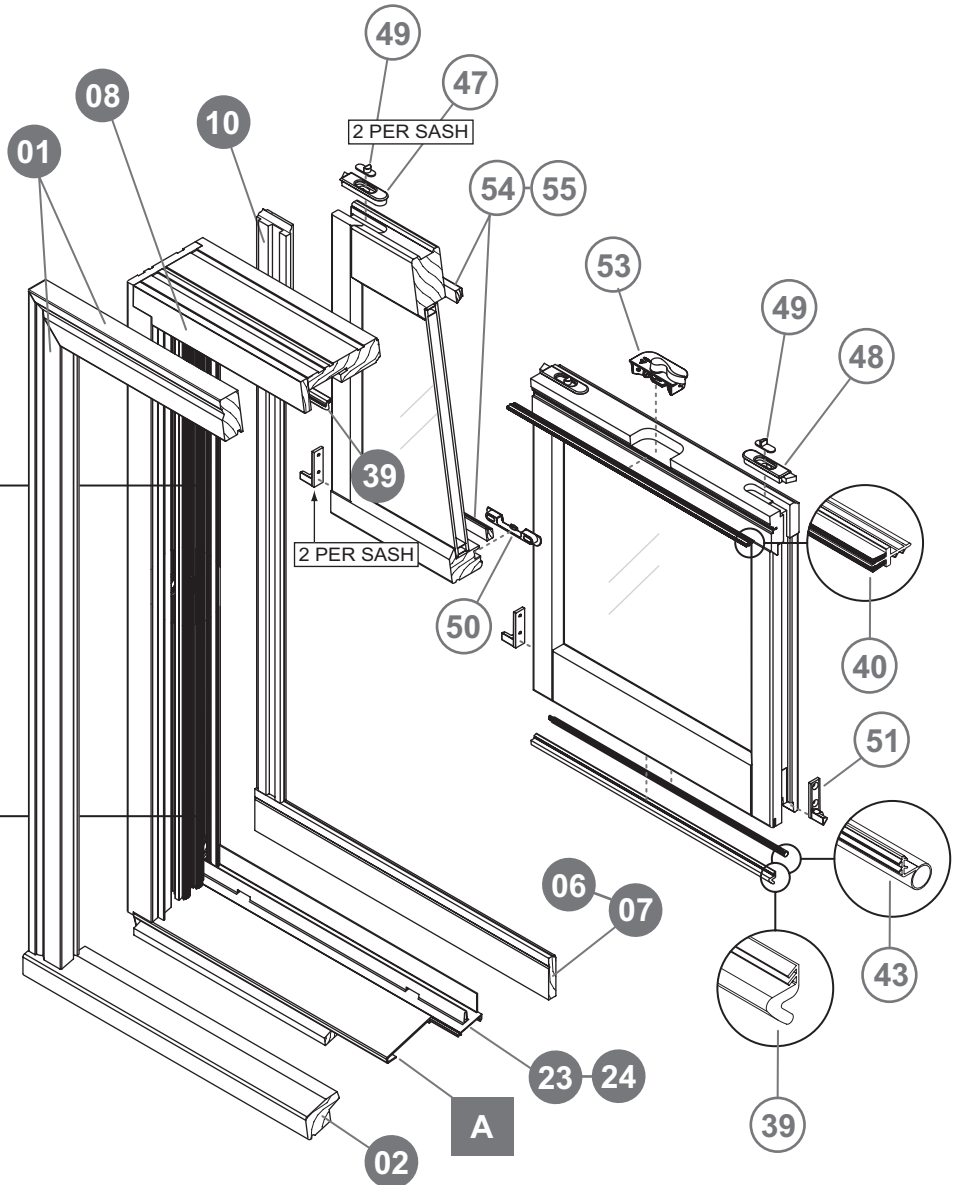
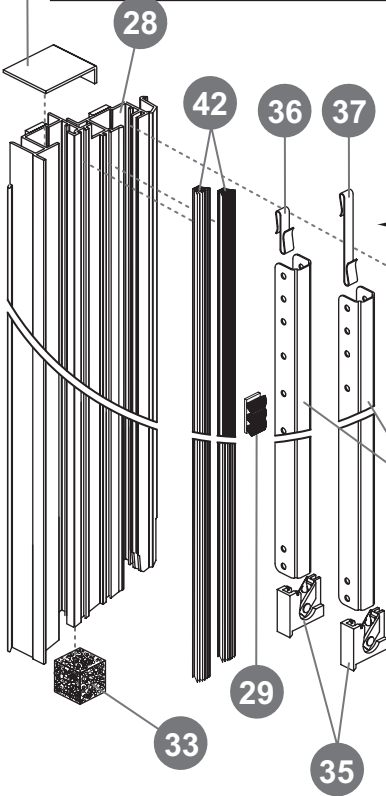


Wood Operating Unit

i EXPLODED VIEW REFERENCE

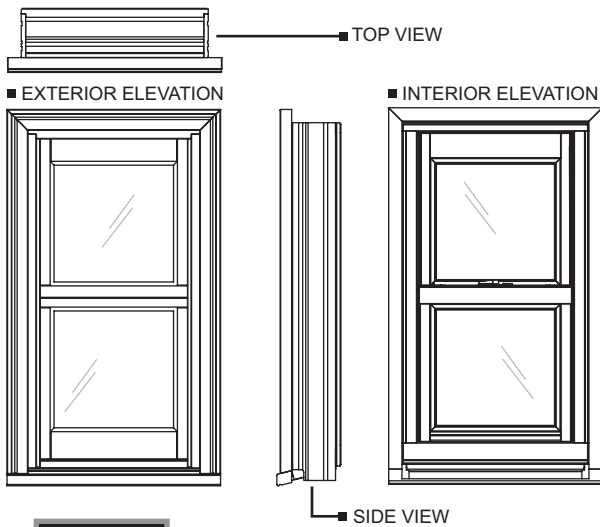


32 JAMB LINER ASSEMBLY
(2 PER FRAME - LEFT SHOWN)



KEY:

- # Frame Components
- # Sash Components
- # Reference Only
- # Not Shown



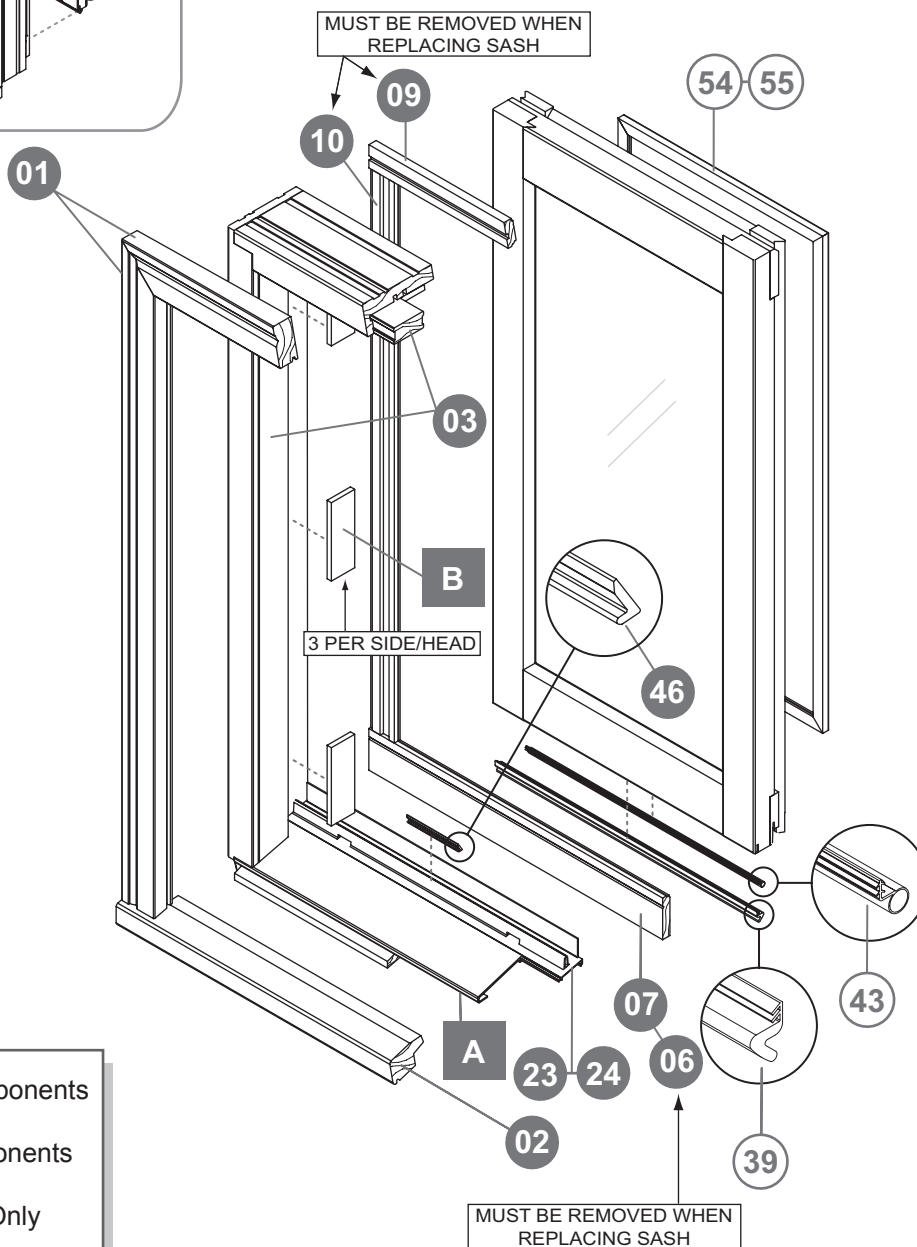
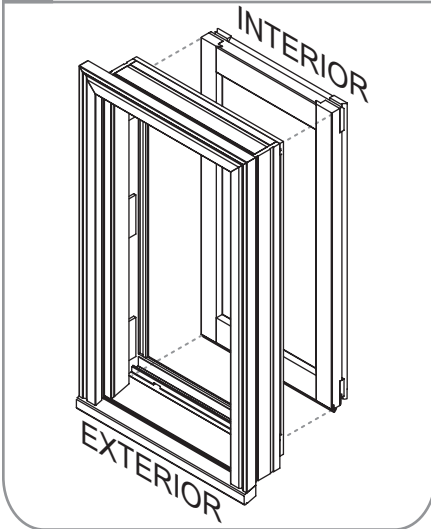
Wood Operating Unit

NOTE: Order parts as viewed from exterior.

- 01 Brick Mould, Head and Jamb, pg. 34
- 02 Sill Nose, pg. 34
- 06 Sill Stop, Egress, pg. 34
- 07 Sill Stop, pg. 35
- 08 Blind Stop, pg. 35
- 10 Inside Stop, Side, pg. 35
- 23 Sill Riser, pg. 37
- 24 Sill Riser, Egress, pg. 37
- 28 Jamb Liner, Vinyl, pg. 38
- 29 Dust Pad, Jamb Liner, pg. 38
- 32 Jamb Liner Gasket
- 33 End Plug, Jamb Liner, pg. 39
- 34 Balance Assembly, pg. 39, 59
- 35 Tilt Shoe (Cam Lock), pg. 39
- 36 S-Clip, 1", pg. 39
- 37 S-Clip, 2", pg. 40
- 39 Weather Strip, pg. 40
- 40 Weather Strip, Check Rail, pg. 40
- 42 Weather Strip, .270" Pile, pg. 40
- 43 Weather Strip, Sash, pg. 41
- 45 Sash Stop, pg. 41
- 47 Tilt Latch, Upper, pg. 41
- 48 Tilt Latch, Lower, pg. 41
- 49 Tilt Latch Button, pg. 42
- 50 Keeper, pg. 42
- 51 Pivot Pin, pg. 42
- 53 Lock, pg. 42
- 54 Glazing Bead, Single Glaze Only, pg. 42
- 55 Glazing Bead, Standard, pg. 43
- A Aluminum Sill Cover
- 30 Adjustment Screw, Jamb (Optional), pg. 38
- 31 Adjustment Screw Insert, Jamb (Optional), pg. 39
- 52 Pivot Pin, DP50 Upgrade, pg. 42
- 56 Glazing Bead, TDL, pg. 43
- 57 Wood Exterior Trim, Washington Style, pg. 43, 61
- 58 Wood Exterior Trim, Franklin Casing, pg. 43, 61
- 59 Wood Exterior Trim, Flat Casing, pg. 43, 61
- 60 Wood Exterior Trim, Stucco Mould, pg. 43, 61
- 79 Sash Lift, pg. 47



i EXPLODED VIEW REFERENCE

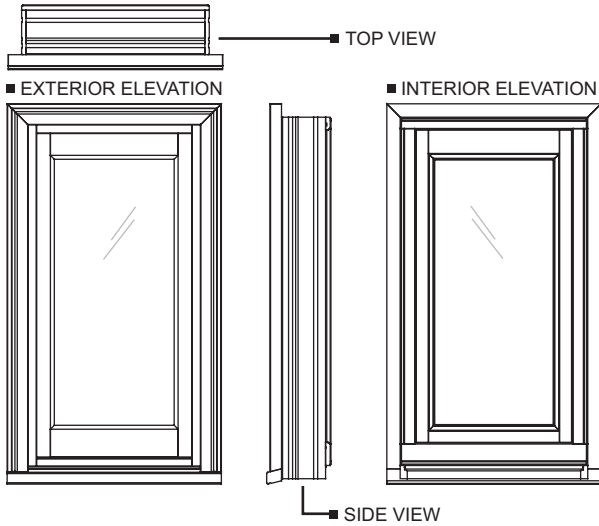


KEY:

- # Frame Components
- # Sash Components
- # Reference Only
- # Not Shown



Wood Picture Unit



NOTE: Order parts as viewed from exterior.

- 01 Brick Mould, Head and Jamb, pg. 34
- 02 Sill Nose, pg. 34
- 03 Jamb Filler Block, pg. 34
- 06 Sill Stop, Egress, pg. 34
- 07 Sill Stop, pg. 35
- 09 Inside Stop, Head, pg. 35
- 10 Inside Stop, Side, pg. 35
- 23 Sill Riser, pg. 37
- 24 Sill Riser, Egress, pg. 37
- 39 Weather Strip, pg. 40
- 43 Weather Strip, Sash, pg. 41
- 46 Sash Wedge, Vinyl, pg. 41
- 54 Glazing Bead, Single Glaze Only, pg. 42

- 55 Glazing Bead, Standard, pg. 43
- A Aluminum Sill Cover
- B Shims
- 44 Sash Clip, Replacement, pg. 41
- 56 Glazing Bead, TDL, pg. 43
- 57 Wood Exterior Trim, Washington Style, pg. 43, 61
- 58 Wood Exterior Trim, Franklin Casing, pg. 43, 61
- 59 Wood Exterior Trim, Flat Casing, pg. 43, 61
- 60 Wood Exterior Trim, Stucco Mould, pg. 43, 61

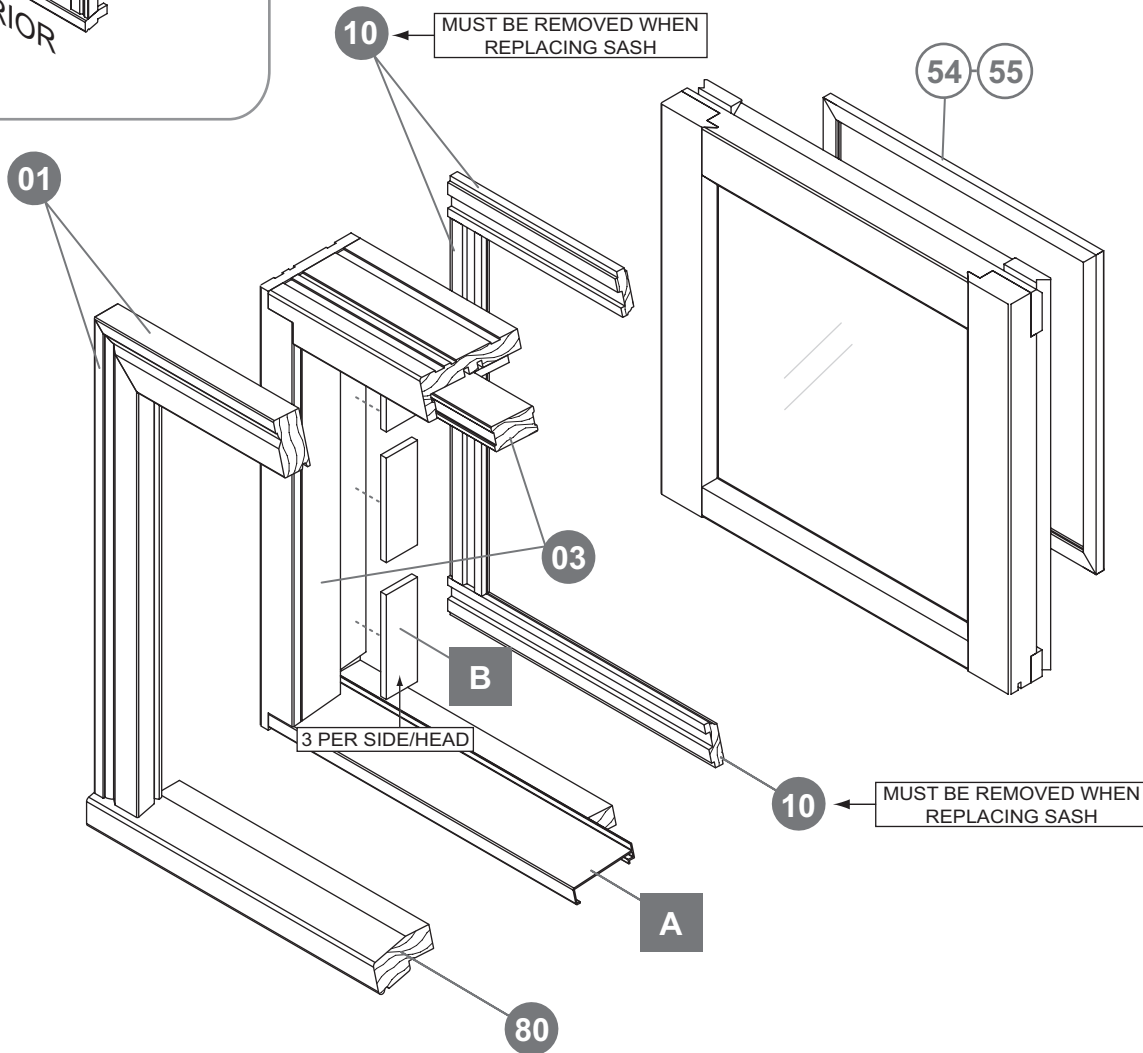
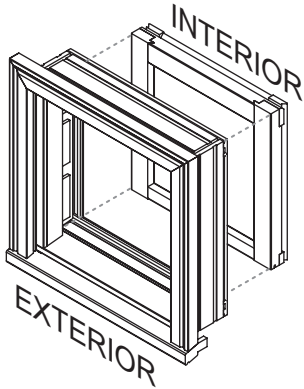
KEY:

#	Frame Components
#	Sash Components
#	Reference Only
#	Not Shown



Wood Transom Unit

i EXPLODED VIEW REFERENCE

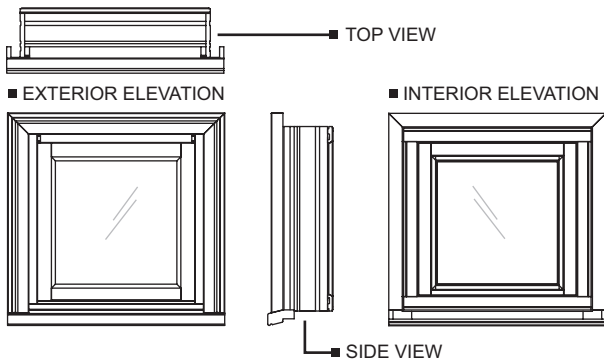


KEY:

#	Frame Components
#	Sash Components
#	Reference Only
#	Not Shown



Wood Transom Unit



NOTE: *Order parts as viewed from exterior.*

- 01 Brick Mould, Head and Jamb, pg. 34
- 03 Jamb Filler Block, Head, pg. 34
- 10 Head, Side and Sill Stop, pg. 35
- 54 Glazing Bead, Single Glaze Only, pg. 42, 64
- 55 Glazing Bead, Standard, pg. 43, 61
- 80 Sub Sill, Transom, pg. 47
- A Aluminum Sill Cover
- B Shims
- 44 Sash Clip, Replacement, pg. 41
- 56 Glazing Bead, TDL, pg. 43, 61
- 57 Wood Exterior Trim, Washington Style, pg. 43, 61
- 58 Wood Exterior Trim, Franklin Casing, pg. 43, 61
- 59 Wood Exterior Trim, Flat Casing, pg. 43, 61
- 60 Wood Exterior Trim, Stucco Mould, pg. 43, 61

KEY:

#	Frame Components
#	Sash Components
#	Reference Only
#	Not Shown

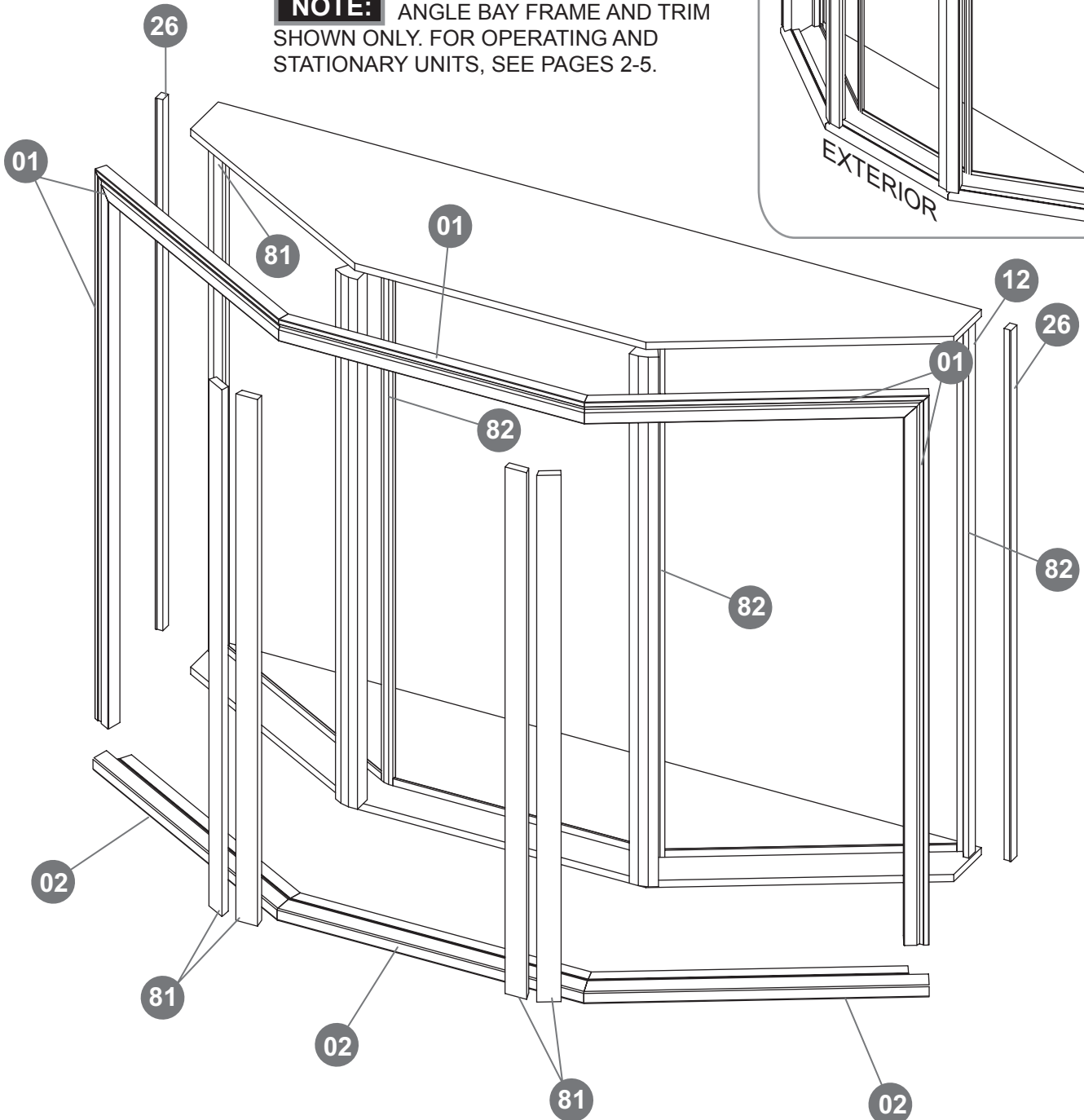
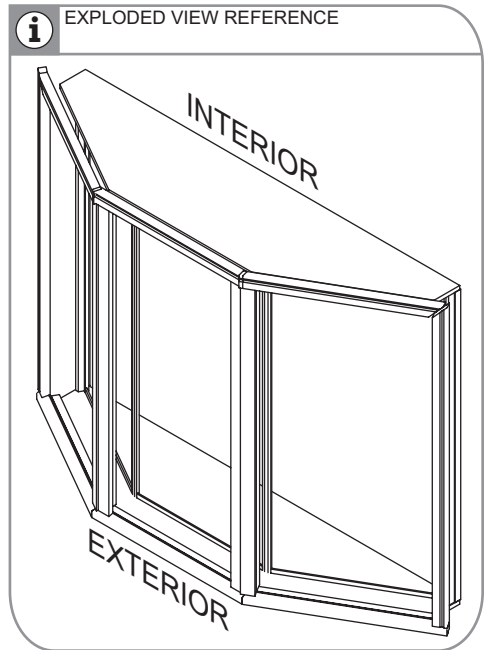


Wood 30° Angle Bay Unit

KEY:

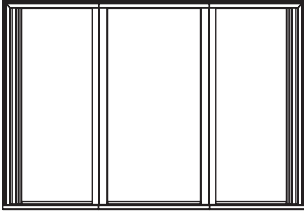
- # Frame Components
- # Sash Components
- # Reference Only
- # Not Shown

NOTE: ANGLE BAY FRAME AND TRIM SHOWN ONLY. FOR OPERATING AND STATIONARY UNITS, SEE PAGES 2-5.





■ EXTERIOR ELEVATION



■ TOP VIEW



Wood 30° Angle Bay Unit

NOTE: *Order parts as viewed from exterior.*

- 01 Brick Mould, Head and Jamb, pg. 34
- 02 Sill Nose, pg 34
- 12 Bay Extender, 30°, pg. 35
- 26 Extender, pg. 38
- 81 Exterior Bay Mull Cover, 30°, pg. 47
- 82 Interior Bay Mull Casing, 30°, pg. 47
- 30 Adjustment Screw, Jamb (Optional), pg. 38
- 31 Adjustment Screw Insert, Jamb (Optional), pg. 39
- 44 Sash Clip, Replacement, pg. 41
- 52 Pivot Pin, DP50 Upgrade, pg. 42
- 57 Wood Exterior Trim, Washington Style, pg. 43, 61
- 58 Wood Exterior Trim, Franklin Casing, pg. 43, 61
- 59 Wood Exterior Trim, Flat Casing, pg. 43, 61
- 60 Wood Exterior Trim, Stucco Mould, pg. 43, 61

KEY:

- # Frame Components
- # Sash Components
- # Reference Only
- # Not Shown

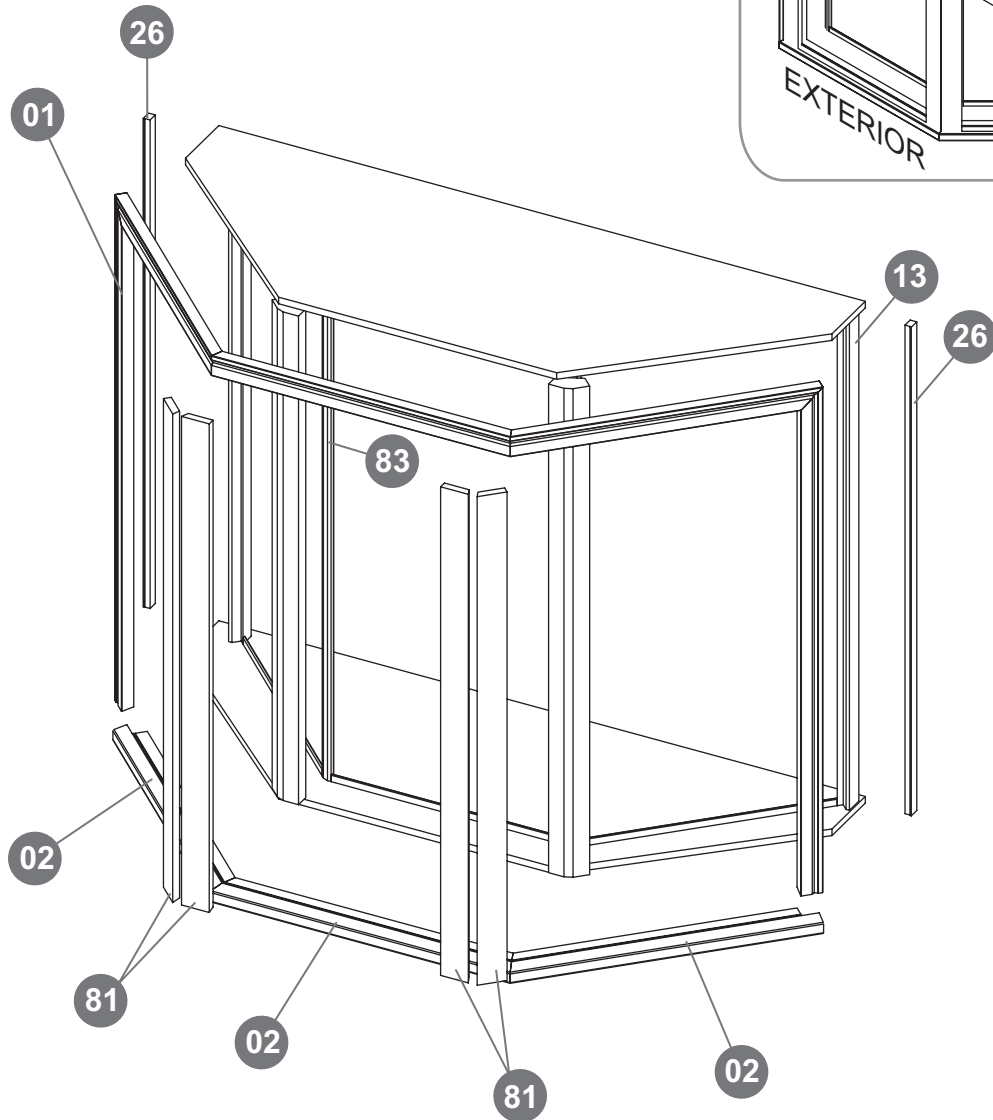
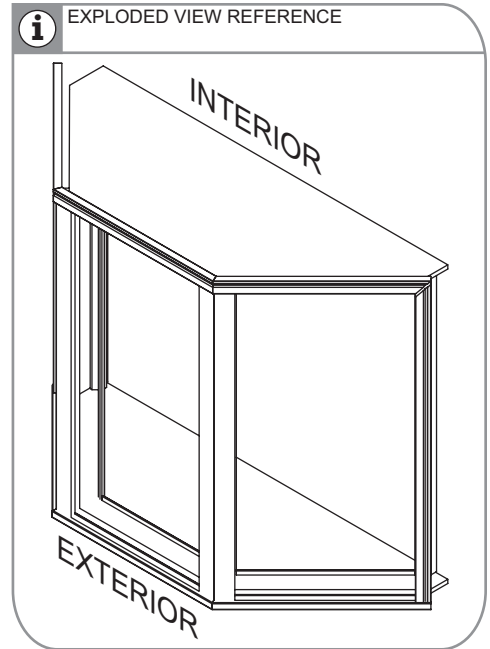


KEY:

- # Frame Components
- # Sash Components
- # Reference Only
- # Not Shown

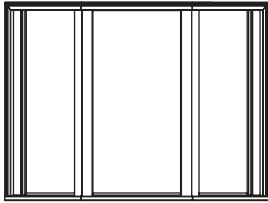
Wood 45° Angle Bay Unit

NOTE: ANGLE BAY FRAME AND TRIM SHOWN ONLY. FOR OPERATING AND STATIONARY UNITS, SEE PAGES 2-5.

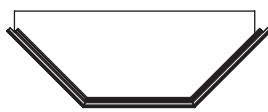




■ EXTERIOR ELEVATION



■ TOP VIEW



Wood 45° Angle Bay Unit

NOTE: *Order parts as viewed from exterior.*

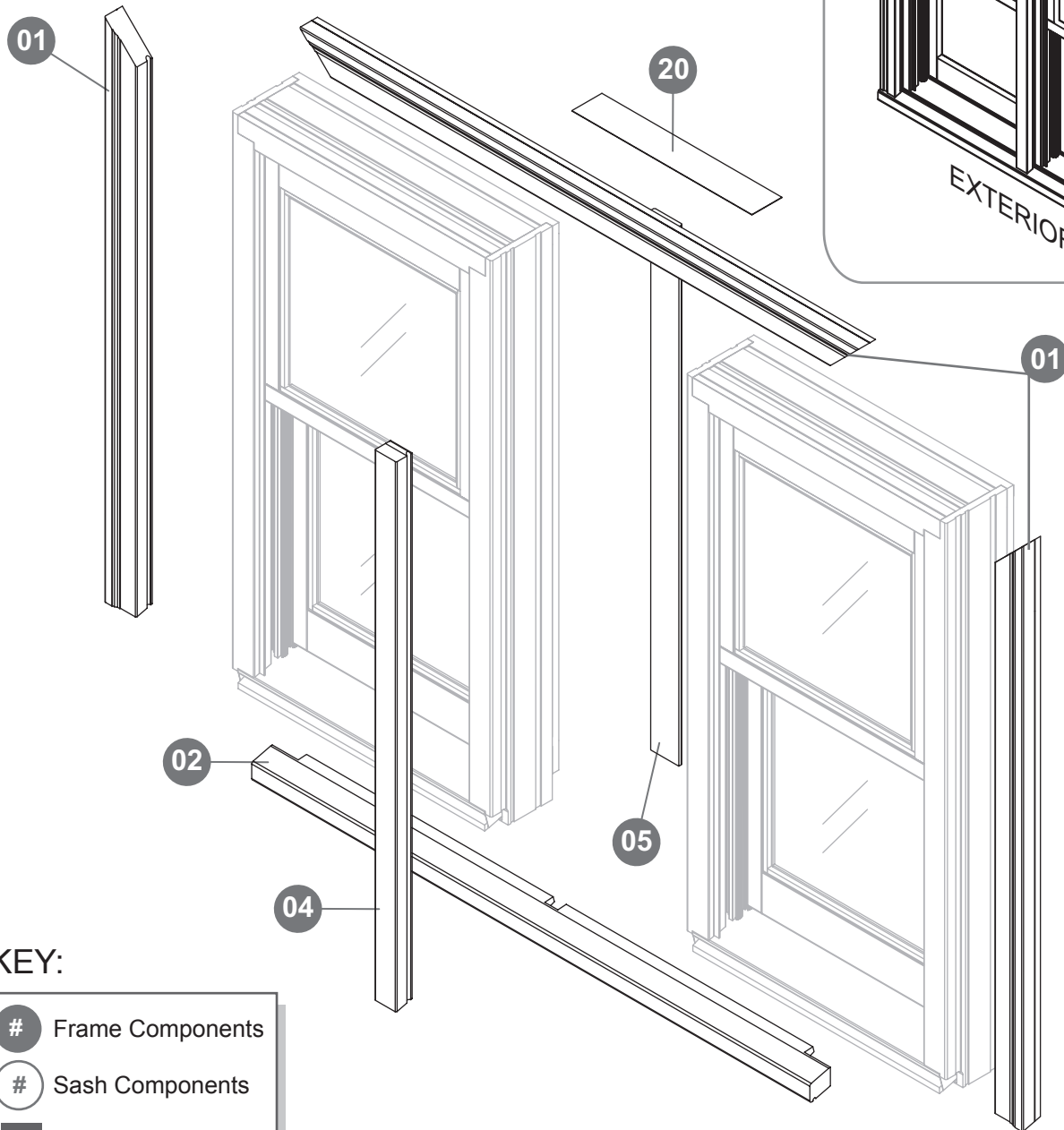
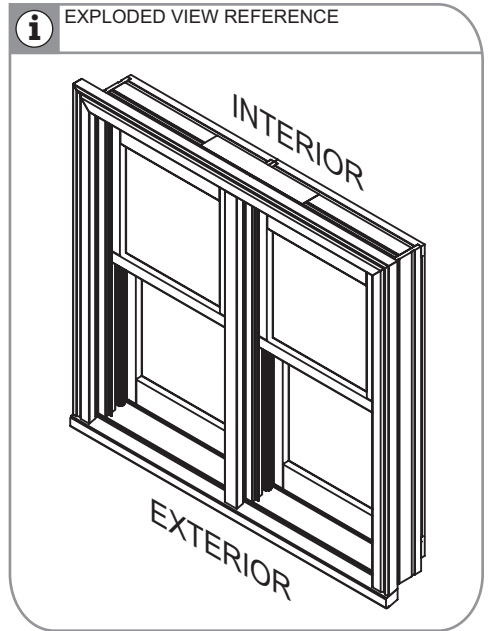
- 01 Brick Mould, Head and Jamb, pg. 34
- 02 Sill Nose, pg 34
- 13 Bay Extender, 45°, pg. 36
- 26 Extender, pg. 38
- 81 Exterior Bay Mull Cover, 45°, pg. 47
- 83 Interior Bay Mull Casing, 45°, pg. 47
- 30 Adjustment Screw, Jamb (Optional), pg. 38
- 31 Adjustment Screw Insert, Jamb (Optional), pg. 39
- 44 Sash Clip, Replacement, pg. 41
- 52 Pivot Pin, DP50 Upgrade, pg. 42
- 57 Wood Exterior Trim, Washington Style, pg. 43, 61
- 58 Wood Exterior Trim, Franklin Casing, pg. 43, 61
- 59 Wood Exterior Trim, Flat Casing, pg. 43, 61
- 60 Wood Exterior Trim, Stucco Mould, pg. 43, 61

KEY:

- # Frame Components
- # Sash Components
- # Reference Only
- # Not Shown



Wood Mull Unit

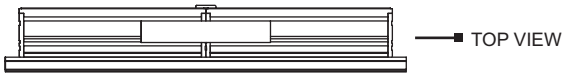


KEY:

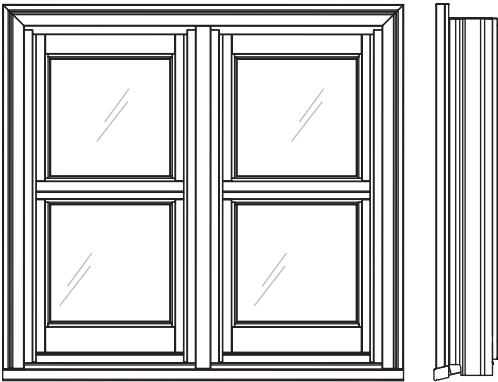
#	Frame Components
#	Sash Components
#	Reference Only
#	Not Shown



Wood Mull Unit



EXTERIOR ELEVATION



SIDE VIEW

NOTE: Order parts as viewed from exterior.

- 01 Brick Mould, Head and Jamb, pg. 34
- 02 Sill Nose, pg. 34
- 04 Mull Cover, Exterior, pg. 34
- 05 Interior Mull Cover, pg. 34
- 20 Mull Plate, pg. 37
- 30 Adjustment Screw, Jamb (Optional), pg. 38
- 31 Adjustment Screw Insert, Jamb (Optional), pg. 39
- 44 Sash Clip, Replacement, pg. 41
- 52 Pivot Pin, DP50 Upgrade, pg. 42
- 57 Wood Exterior Trim, Washington Style, pg. 43, 61
- 58 Wood Exterior Trim, Franklin Casing, pg. 43, 61
- 59 Wood Exterior Trim, Flat Casing, pg. 43, 61
- 60 Wood Exterior Trim, Stucco Mould, pg. 43, 61

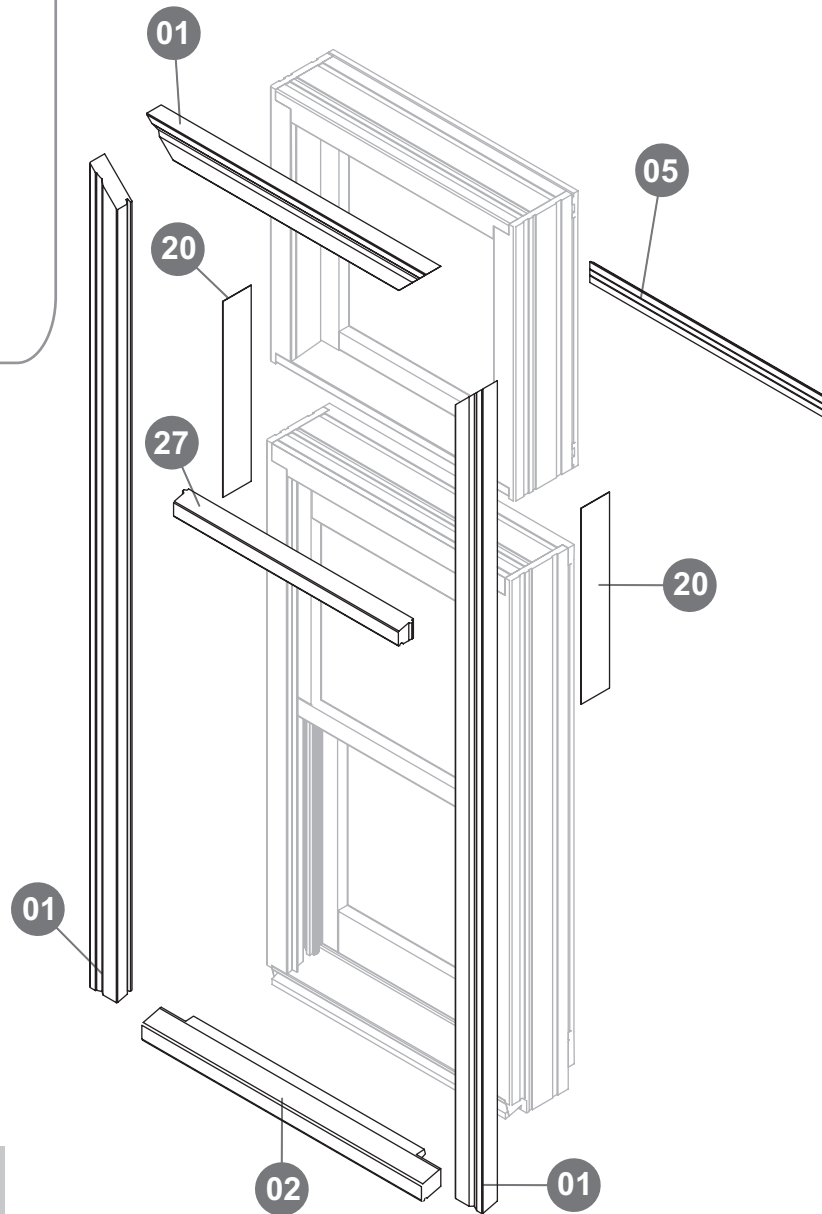
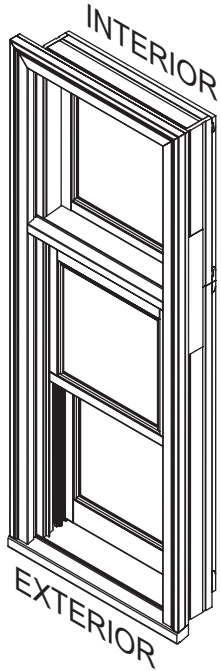
KEY:

#	Frame Components
#	Sash Components
#	Reference Only
#	Not Shown



Wood Stack Unit

i EXPLODED VIEW REFERENCE

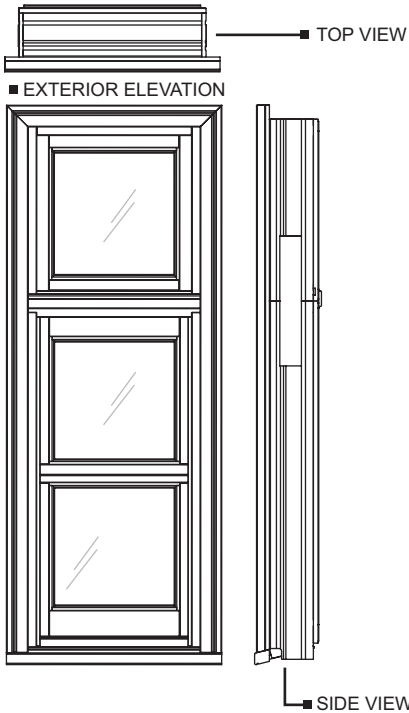


KEY:

- # Frame Components
- # Sash Components
- # Reference Only
- # Not Shown



Wood Stack Unit



- 58** Wood Exterior Trim, Franklin Casing, pg. 43, 61
- 59** Wood Exterior Trim, Flat Casing, pg. 43, 61
- 60** Wood Exterior Trim, Stucco Mould, pg. 43, 61

NOTE: Order parts as seen from exterior.

- 01** Brick Mould, Head and Jamb, pg. 34
- 02** Sill Nose, pg. 34
- 05** Interior Mull Cover, pg. 34
- 20** Mull Plate, pg. 37
- 27** Mull Nose, Transom, pg. 38
- 30** Adjustment Screw, Jamb (Optional), pg. 38
- 31** Adjustment Screw Insert, Jamb (Optional), pg. 39
- 44** Replacement Sash Clip, pg. 41
- 52** Pivot Pin, DP50 Upgrade, pg. 42
- 57** Wood Exterior Trim, Washington Style, pg. 43, 61

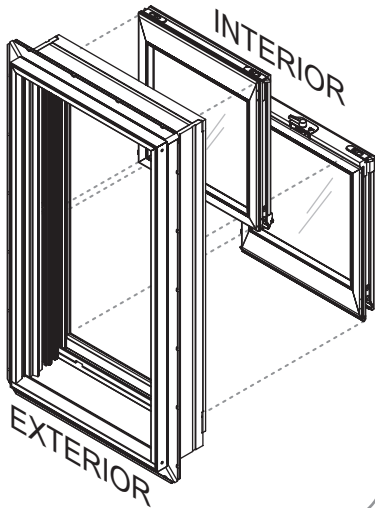
KEY:

- #** Frame Components
- #** Sash Components
- #** Reference Only
- #** Not Shown



Clad Operating Unit

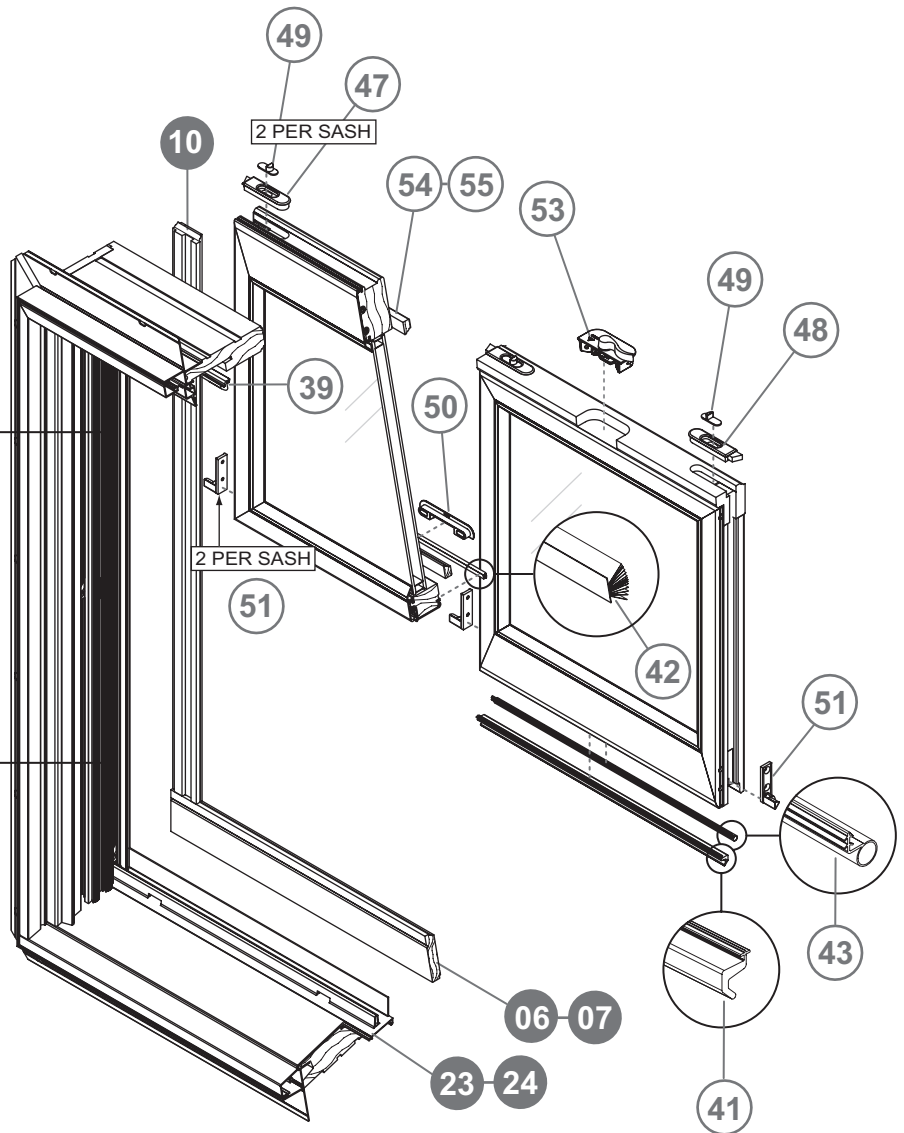
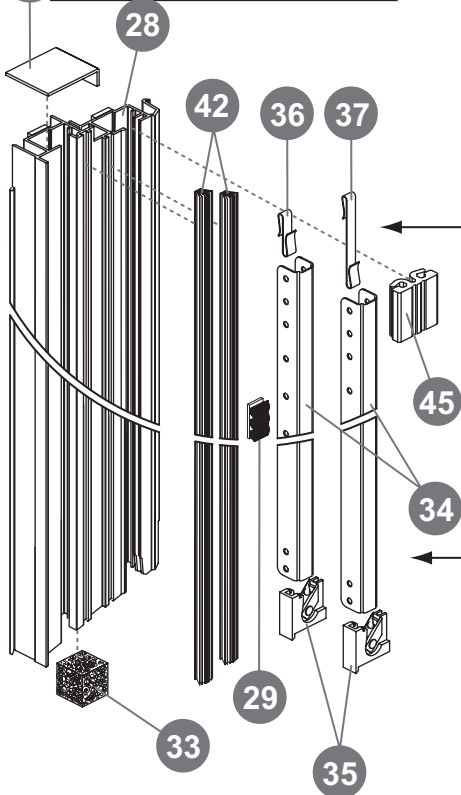
i EXPLODED VIEW REFERENCE

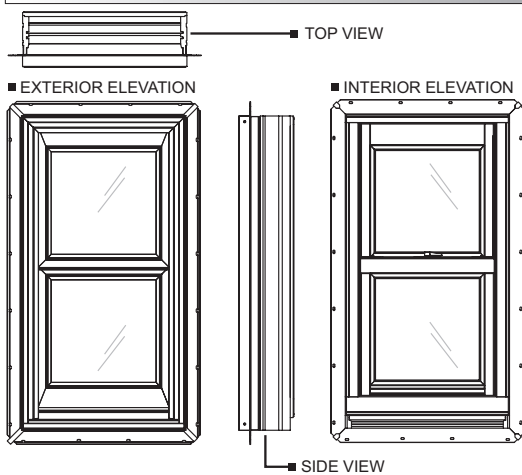


KEY:

- # Frame Components
- # Sash Components
- # Reference Only
- # Not Shown

32 JAMB LINER ASSEMBLY (2 PER FRAME-- LEFT SHOWN)





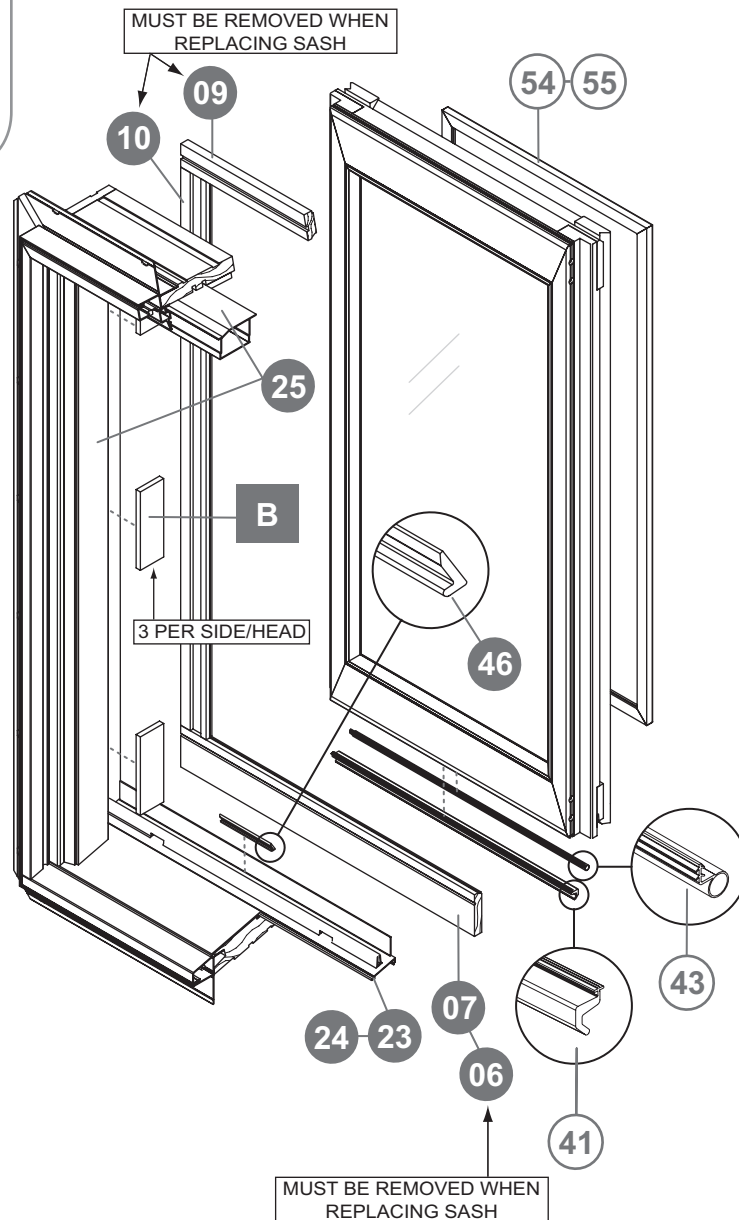
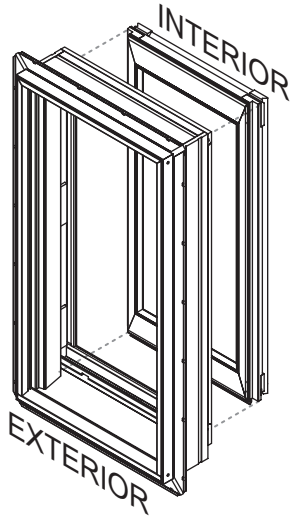
Clad Operating Unit

NOTE: Order parts as seen from exterior.

- 06 Sill Stop, Egress, pg 34
- 07 Sill Stop, pg. 35
- 10 Inside Stop, Side, pg. 35
- 23 Sill Riser, pg. 37
- 24 Sill Riser, Egress, pg. 37
- 28 Jamb Liner, Vinyl, pg. 38
- 29 Dust Pad, Jamb Liner, pg. 38
- 32 Jamb Liner Gasket, pg. 39
- 33 End Plug, Jamb Liner, pg. 39
- 34 Balance Assembly, pg. 39, 59
- 35 Tilt Shoe (Cam Lock), pg. 39
- 36 S - Clip, 1", pg. 39
- 37 S - Clip, 2", pg. 40
- 39 Weather Strip, pg. 40
- 40 Weather Strip, Check Rail, pg. 40
- 41 Sash Weather Strip, Foam Filled, pg. 40
- 42 Weather Strip, .270" Pile, pg. 40
- 43 Weather Strip, Sash, pg. 41
- 45 Sash Stop, pg. 41
- 47 Tilt Latch, Upper, pg. 41
- 48 Tilt Latch, Lower, pg. 41
- 49 Tilt Latch Button, pg. 42
- 50 Keeper, pg. 42
- 51 Pivot Pin, pg. 42
- 53 Lock, pg. 42
- 54 Glazing Bead, Single Glaze Only, pg. 42
- 55 Glazing Bead, Standard, pg. 43
- 30 Adjustment Screw, Jamb (Optional), pg. 38
- 31 Adjustment Screw Insert, Jamb (Optional), pg. 39
- 52 Pivot Pin, DP50 Upgrade, pg. 42
- 56 Glazing Bead, TDL, pg. 43
- 61 Aluminum Exterior Trim, 2" Brick Mould, pg. 44
- 62 Aluminum Exterior Trim, Flat Casing, pg. 44
- 63 Aluminum Exterior Trim, Washington Style, pg. 44
- 64 Aluminum Exterior Trim, Historical Brick Mould, pg. 44
- 65 Aluminum Exterior Trim, 1" Brick Mould, pg. 44
- 79 Sash Lift, pg. 47



i EXPLODED VIEW REFERENCE

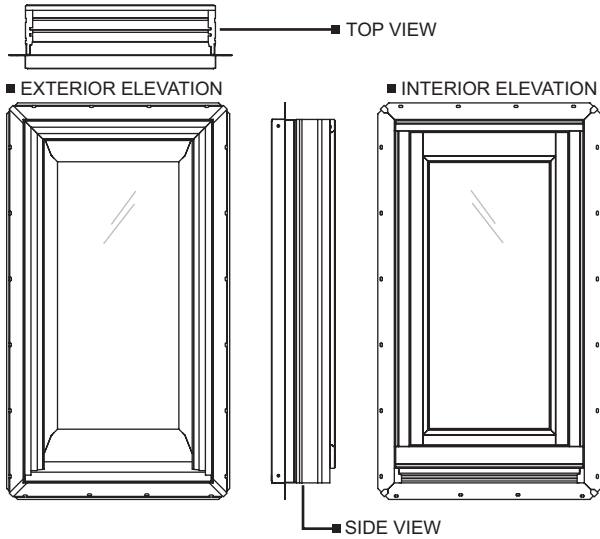


KEY:

- # Frame Components
- # Sash Components
- # Reference Only
- # Not Shown



Clad Picture Unit



NOTE: Order parts as seen from exterior.

- 08 Blind Stop, pg. 35
- 10 Inside Stop, Side, pg. 35
- 23 Sill Riser, pg. 37
- 24 Sill Riser, Egress, pg. 37
- 25 Jamb Filler Block, Aluminum, pg. 38
- 41 Sash Weather Strip, Foam Filled, pg. 40
- 43 Weather Strip, Sash, pg. 41
- 46 Sash Wedge, Vinyl, pg. 41
- 54 Glazing Bead, Single Glaze Only, pg. 42
- 55 Glazing Bead, Standard, pg. 43
- B Shims
- 44 Sash Clip, Replacement, pg. 41
- 56 Glazing Bead, TDL, pg. 43
- 61 Aluminum Exterior Trim, 2" Brick Mould, pg. 44

- 62 Aluminum Exterior Trim, Flat Casing, pg. 44
- 63 Aluminum Exterior Trim, Washington Style, pg. 44
- 64 Aluminum Exterior Trim, Historical Brick Mould, pg. 44
- 65 Aluminum Exterior Trim, 1" Brick Mould, pg. 44

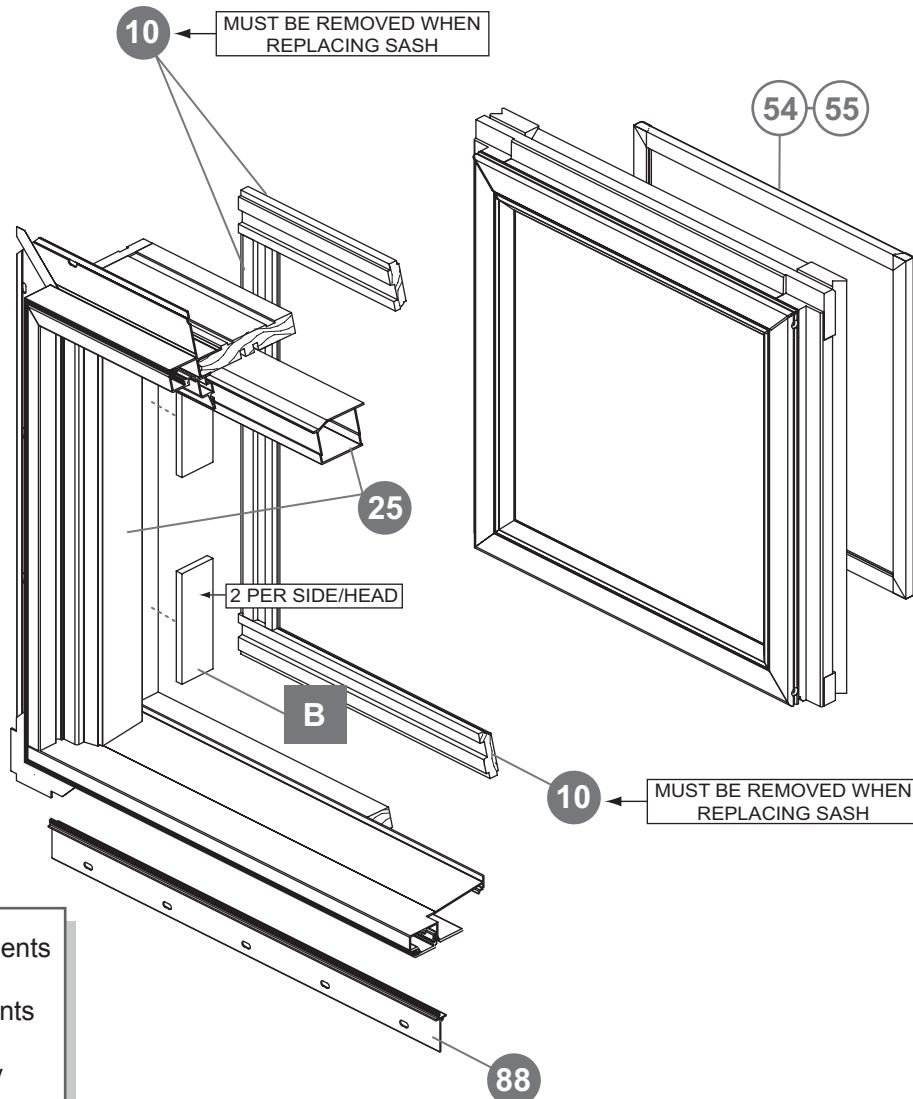
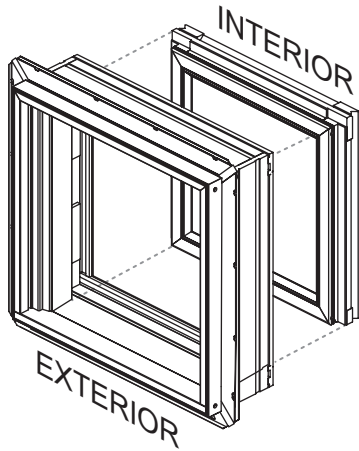
KEY:

#	Frame Components
#	Sash Components
#	Reference Only
#	Not Shown



Clad Transom Unit

i EXPLODED VIEW REFERENCE

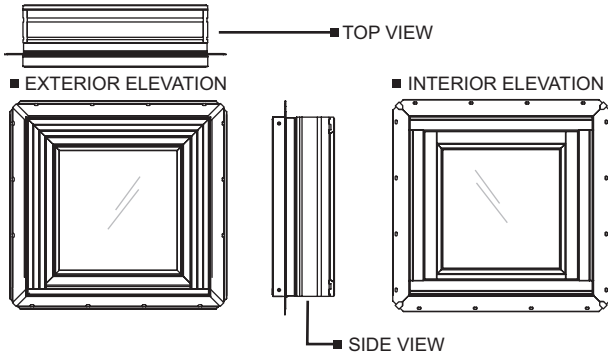


KEY:

- # Frame Components
- # Sash Components
- # Reference Only
- # Not Shown



Clad Transom Unit



NOTE: Order parts as seen from exterior.

- 10** Head, Side and Sill Stop, pg. 35
- 25** Jamb Filler Block, Aluminum, pg. 38
- 54** Glazing Bead, Single Glaze Only, pg. 42
- 55** Glazing Bead, Standard, pg. 43
- 88** Transom Nailing Fin, 48
- B** Shims
- 44** Sash Clip, Replacement, pg. 41
- 56** Glazing Bead, TDL, pg. 43
- 61** Aluminum Exterior Trim, 2" Brick Mould, pg. 44
- 62** Aluminum Exterior Trim, Flat Casing, pg. 44
- 63** Aluminum Exterior Trim, Washington Style, pg. 44
- 64** Aluminum Exterior Trim, Historical Brick Mould, pg. 44
- 65** Aluminum Exterior Trim, 1" Brick Mould, pg. 44

KEY:

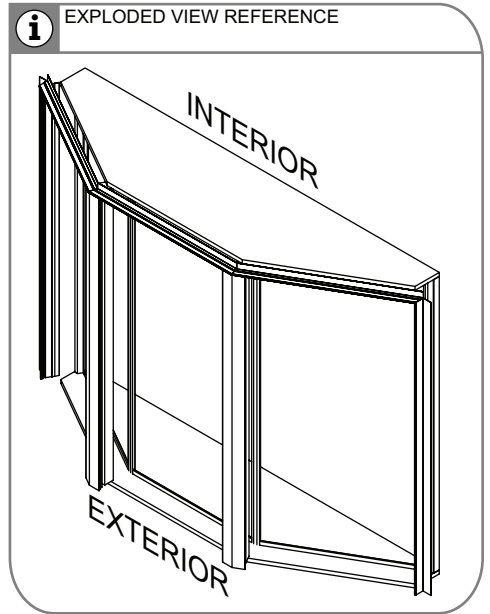
- #** Frame Components
- #** Sash Components
- #** Reference Only
- #** Not Shown



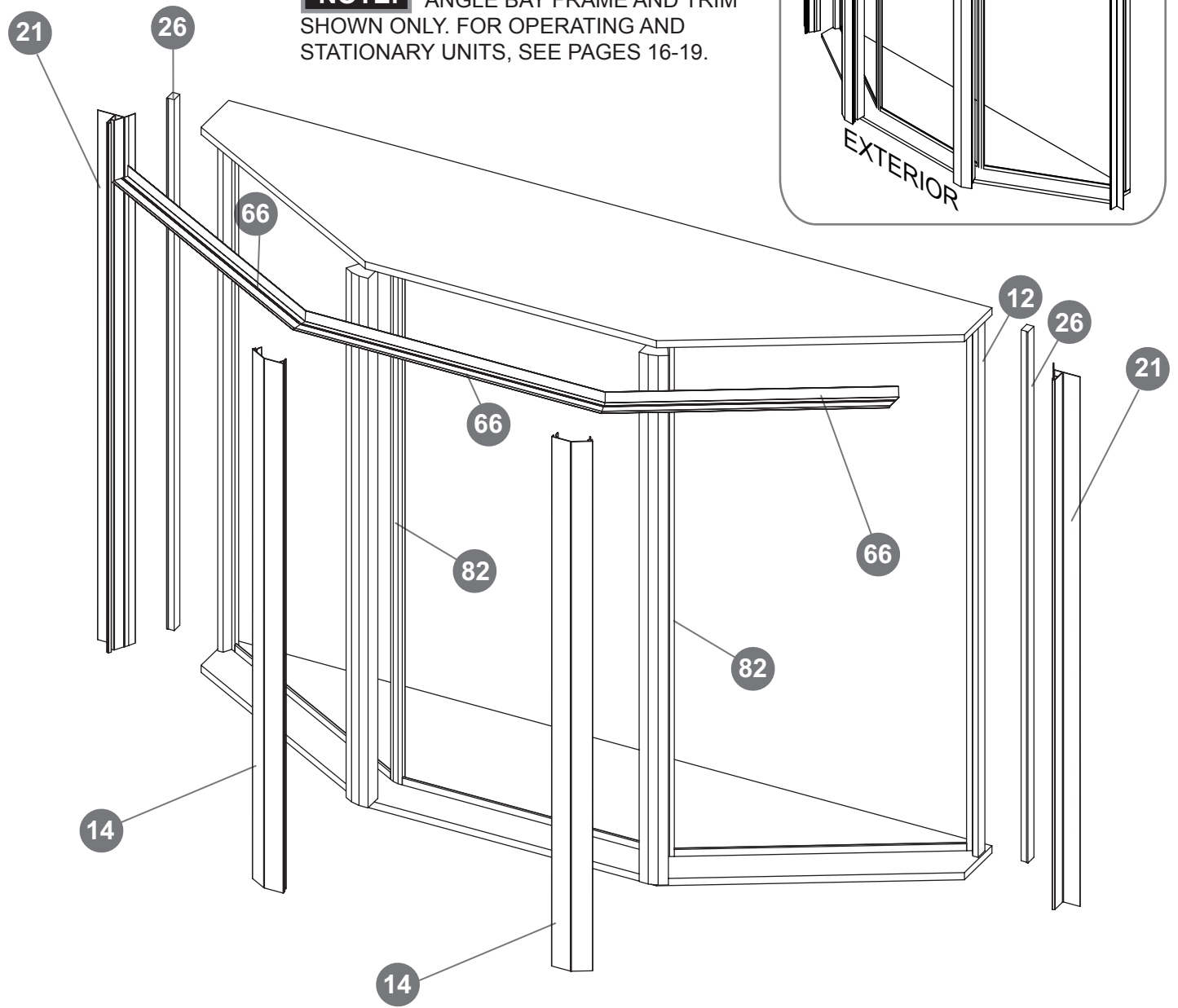
Clad 30° Angle Bay Unit

KEY:

- # Frame Components
- # Sash Components
- # Reference Only
- # Not Shown

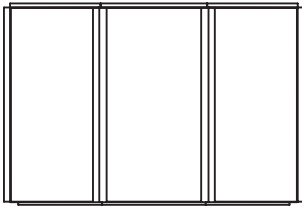


NOTE: ANGLE BAY FRAME AND TRIM SHOWN ONLY. FOR OPERATING AND STATIONARY UNITS, SEE PAGES 16-19.

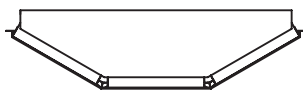




■ EXTERIOR ELEVATION



■ TOP VIEW



Clad 30° Angle Bay Unit

- 12** Bay Extender, 30°, pg. 35
- 14** Exterior Bay Mull Cover, 30°, pg. 36
- 21** Bay Side Adapter, 30°, pg. 37
- 26** Extender, pg. 38
- 66** Aluminum Exterior Trim, Drip Cap, pg. 44
- 82** Interior Bay Mull Casing, 30°, pg. 47
- 30** Adjustment Screw, Jamb (Optional), pg. 38
- 31** Adjustment Screw Insert, Jamb (Optional), pg. 39
- 44** Sash Clip, Replacement, pg. 41
- 52** Pivot Pin, DP50 Upgrade, pg. 42
- 61** Aluminum Exterior Trim, 2" Brick Mould, pg. 44
- 62** Aluminum Exterior Trim, Flat Casing, pg. 44
- 63** Aluminum Exterior Trim, Washington Style, pg. 44
- 64** Aluminum Exterior Trim, Historical Brick Mould, pg. 44
- 65** Aluminum Exterior Trim, 1" Brick Mould, pg. 44

KEY:

- #** Frame Components
- #** Sash Components
- #** Reference Only
- #** Not Shown

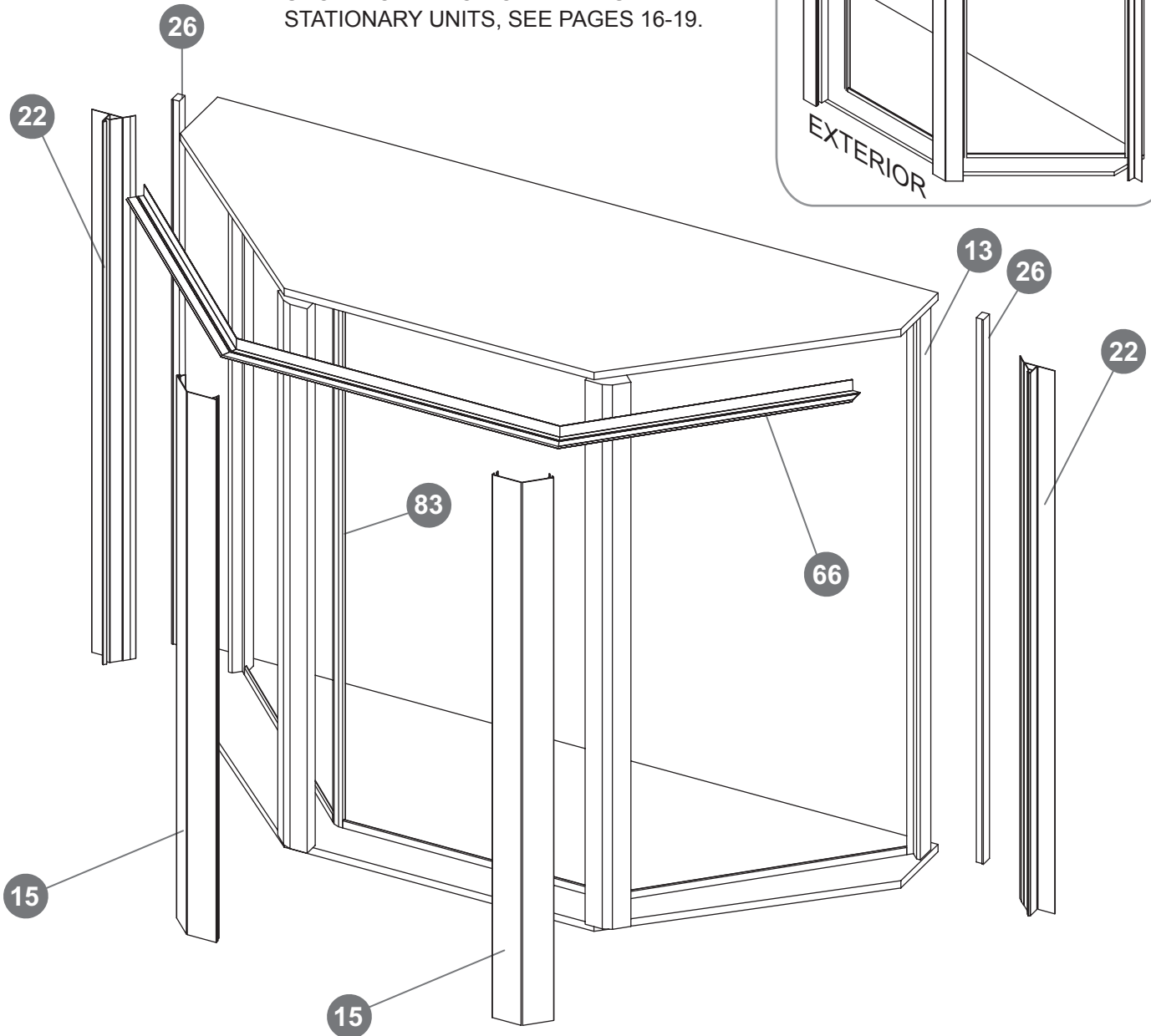
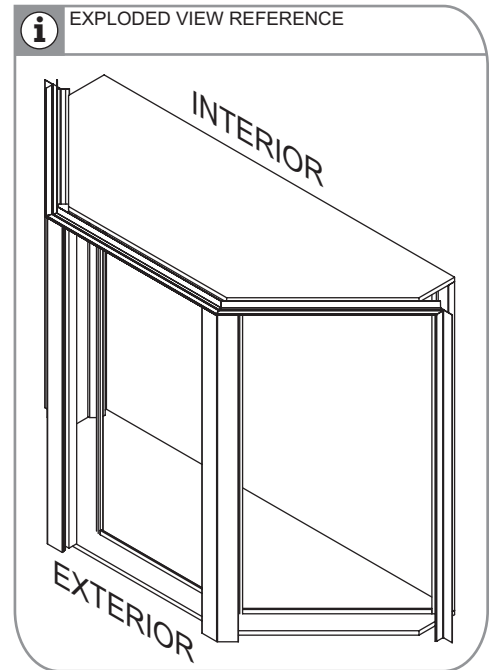


Clad 45° Angle Bay Unit

KEY:

- # Frame Components
- # Sash Components
- # Reference Only
- # Not Shown

NOTE: ANGLE BAY FRAME AND TRIM SHOWN ONLY. FOR OPERATING AND STATIONARY UNITS, SEE PAGES 16-19.

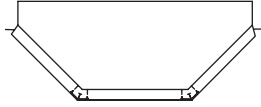
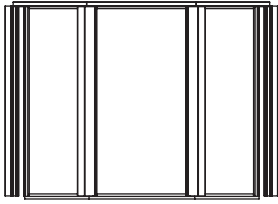




■ EXTERIOR ELEVATION

■ TOP VIEW

Clad 45° Angle Bay Unit

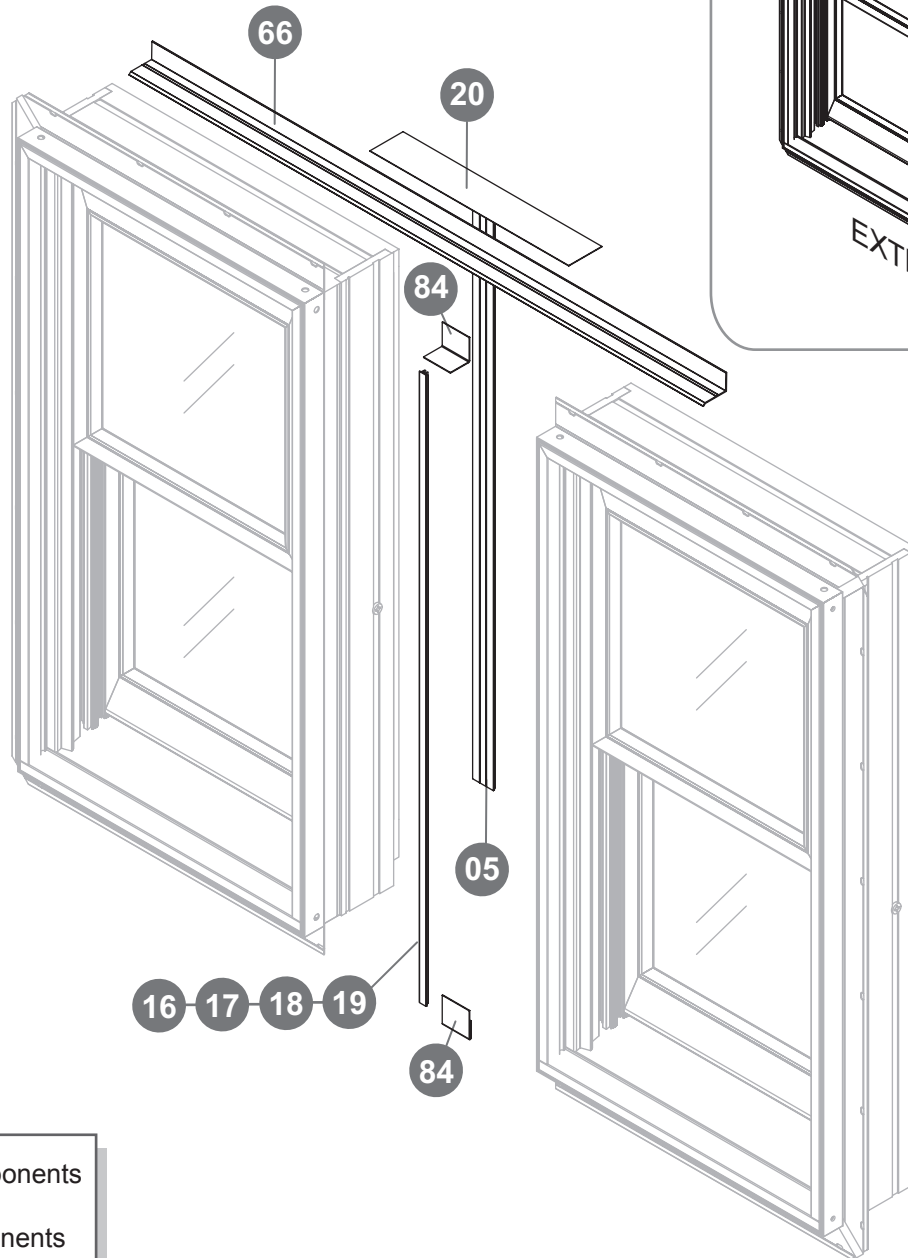
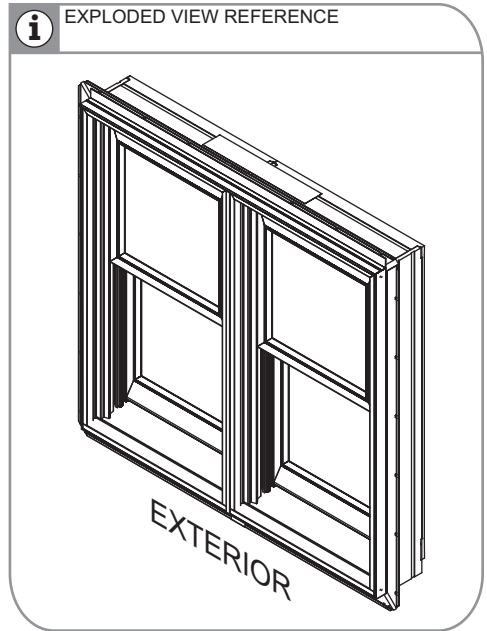


NOTE: *Order parts as seen from exterior.*

- 13 Bay Extender, 45°, pg. 36
- 15 Exterior Bay Mull Cover, 45°, pg. 36
- 22 Bay Side Adapter, 45°, pg. 37
- 26 Extender, pg. 38
- 66 Aluminum Exterior Trim, Drip Cap, pg. 44
- 83 Interior Bay Mull Casing, 45°, pg. 47
- 30 Adjustment Screw, Jamb (Optional), pg. 38
- 31 Adjustment Screw Insert, Jamb (Optional), pg. 39
- 44 Sash Clip, Replacement, pg. 41
- 52 Pivot Pin, DP50 Upgrade, pg. 42
- 61 Aluminum Exterior Trim, 2" Brick Mould, pg. 44
- 62 Aluminum Exterior Trim, Flat Casing, pg. 44
- 63 Aluminum Exterior Trim, Washington Style, pg. 44
- 64 Aluminum Exterior Trim, Historical Brick Mould, pg. 44
- 65 Aluminum Exterior Trim, 1" Brick Mould, pg. 44

KEY:

- # Frame Components
- # Sash Components
- # Reference Only
- # Not Shown

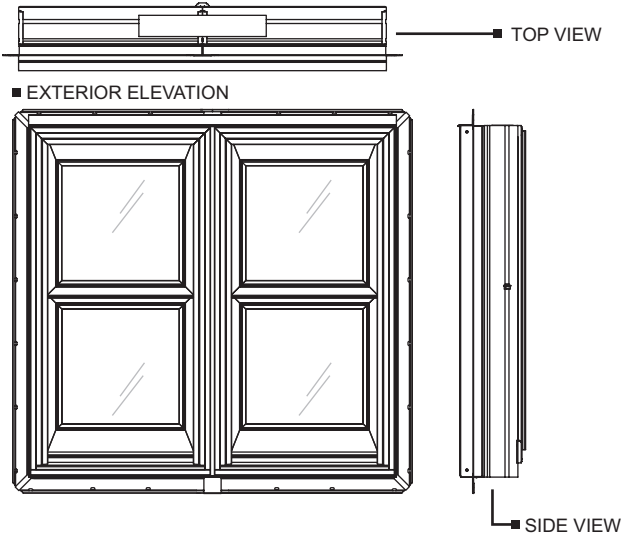


KEY:

#	Frame Components
#	Sash Components
#	Reference Only
#	Not Shown



Clad Mull Unit



NOTE: Order parts as seen from exterior.

- 62** Aluminum Exterior Trim, Flat Casing, pg. 44
- 63** Aluminum Exterior Trim, Washington Style, pg. 44
- 64** Aluminum Exterior Trim, Historical Brick Mould, pg. 44
- 65** Aluminum Exterior Trim, 1" Brick Mould, pg. 44

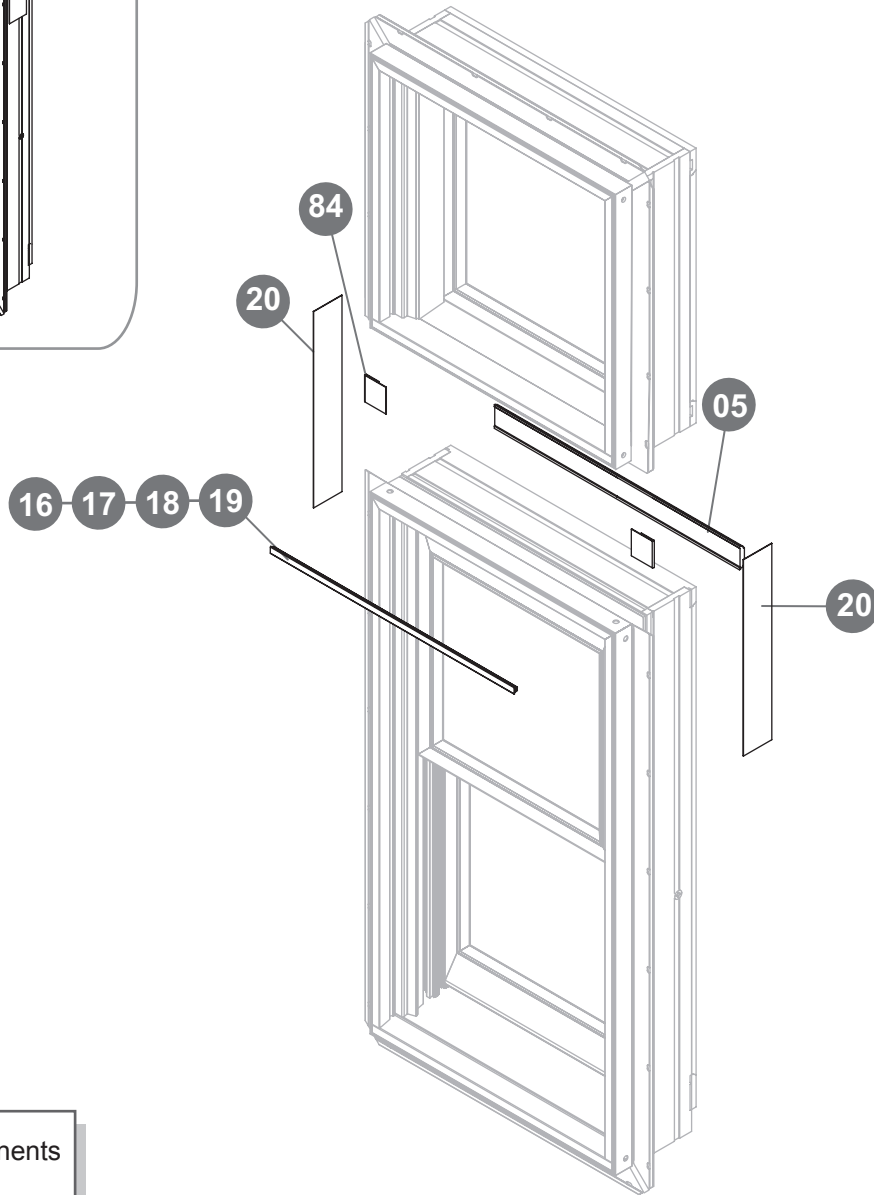
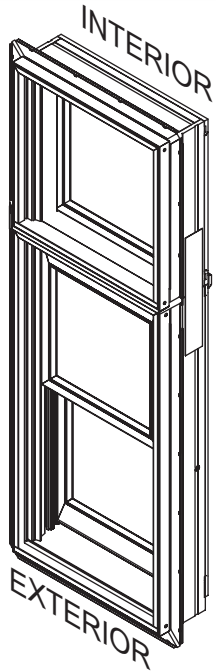
- 05** Interior Mull Cover, pg. 34
- 16** Exterior Mull Cover, 1 1/2", pg. 36
- 17** Exterior Mull Cover, 2", pg. 36
- 18** Exterior Mull Cover, 3 1/2", pg. 36
- 19** Exterior Mull Cover, Tight, pg. 37
- 20** Mull Plate, pg. 37
- 66** Aluminum Exterior Trim, Drip Cap, pg. 44
- 84** Sill Gasket, pg. 47
- 30** Adjustment Screw, Jamb (Optional), pg. 38
- 31** Adjustment Screw Insert (Optional), pg. 39
- 44** Sash Clip, Replacement, pg. 39
- 52** Pivot Pin, DP50 Upgrade, pg. 42
- 61** Aluminum Exterior Trim, 2" Brick Mould, pg. 44

KEY:

#	Frame Components
#	Sash Components
#	Reference Only
#	Not Shown



i EXPLODED VIEW REFERENCE

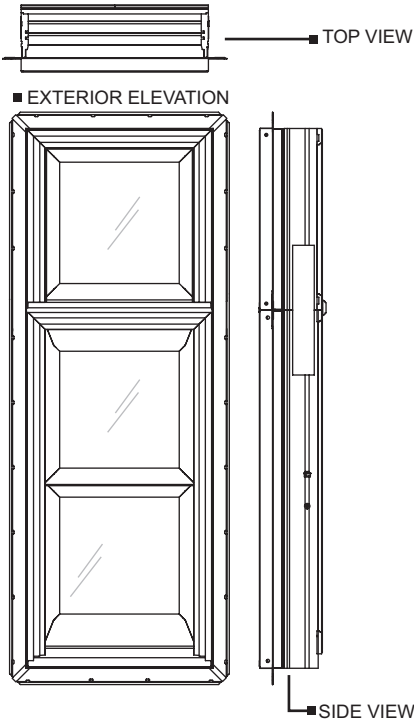


KEY:

#	Frame Components
#	Sash Components
#	Reference Only
#	Not Shown



Clad Stack Unit



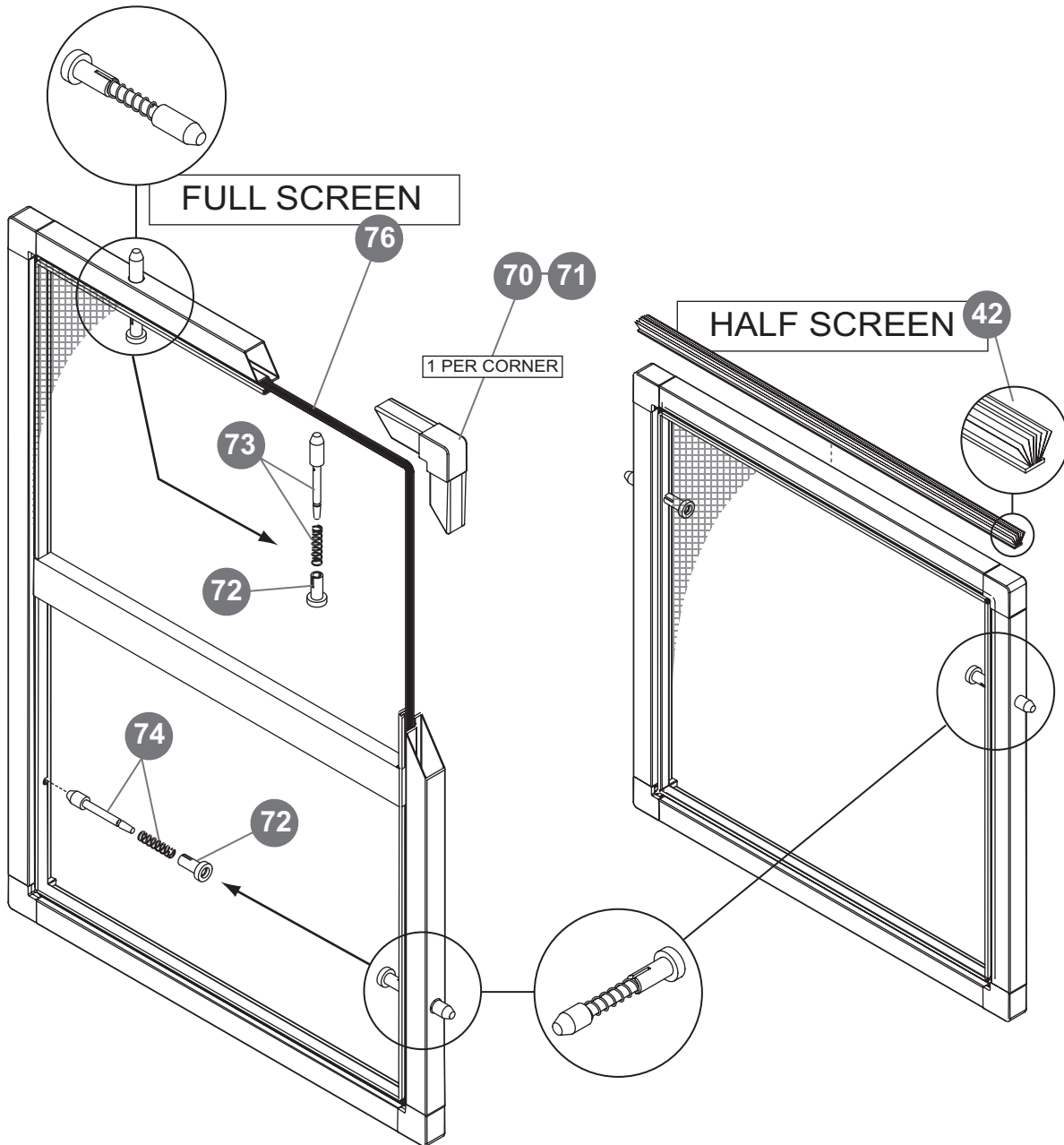
- 52** Pivot Pin, DP50 Upgrade, pg. 42
- 61** Aluminum Exterior Trim, 2" Brick Mould, pg. 44
- 62** Aluminum Exterior Trim, Flat Casing, pg. 44
- 63** Aluminum Exterior Trim, Washington Style, pg. 44
- 64** Aluminum Exterior Trim, Historical Brick Mould, pg. 44
- 65** Aluminum Exterior Trim, 1" Brick Mould, pg. 44

NOTE: Order parts as seen from exterior.

- 05** Interior Mull Cover, pg. 34
- 16** Exterior Mull Cover, 5/16", pg. 36
- 17** Exterior Mull Cover, 2", pg. 36
- 18** Exterior Mull Cover, 3 1/2", pg. 36
- 19** Exterior Mull Cover, Tight, pg. 37
- 20** Mull Plate, pg. 37
- 84** Sill Gasket, pg. 47
- 30** Adjustment Screw, Jamb (Optional), pg. 38
- 31** Adjustment Screw Insert (Optional), pg. 39
- 44** Replacement Sash Clip, pg. 41

KEY:

- #** Frame Components
- #** Sash Components
- #** Reference Only
- #** Not Shown



KEY:

- # Frame Components
- # Sash Components
- # Reference Only
- # Not Shown



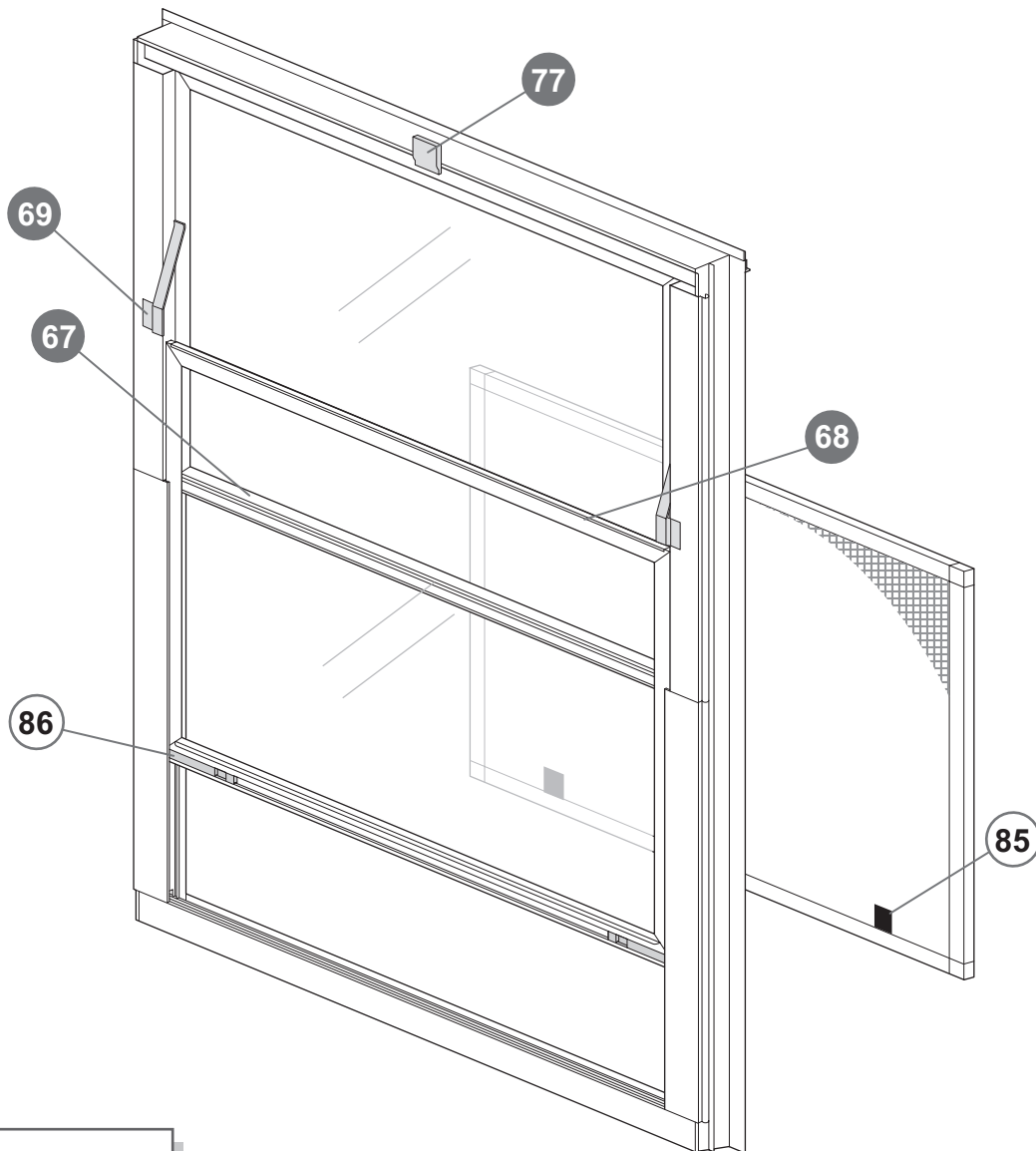
Standard Screen

NOTE: Order parts as seen from exterior.

- 42 Weather Strip, .270" Pile, pg. 40
- 70 Storm/Screen Corner Key, pg. 45
- 71 Storm/Screen Corner Key, pg. 45
- 72 Pull Knob, Plunger, pg. 45
- 73 Pin, **Top** Plunger & Spring, pg. 46
- 74 Pin, **Side** Plunger & Spring, pg. 46
- 76 Screen Spline, pg. 46
- 75 Storm Insert Pin, pg. 46

KEY:

#	Frame Components
#	Sash Components
#	Reference Only
#	Not Shown



KEY:

#	Frame Components
#	Sash Components
#	Reference Only
#	Not Shown



Storm Screen Unit

NOTE: *Order parts as seen from exterior.*

- 67 Storm/Screen, Bottom Interlock, pg. 45
- 68 Storm/Screen, Top Interlock, pg. 45
- 69 Tension Clip, Storm, pg. 45
- 77 Head Foam Pad, pg. 46
- 85 Screen Tab, pg. 48
- 86 Active Insert Plunger & Spring, pg. 48
- 75 Storm Insert Pin, pg. 46

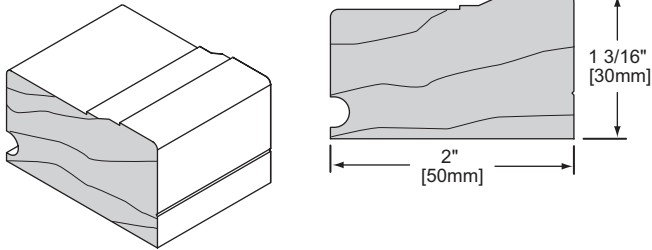
KEY:

- # Frame Components
- # Sash Components
- # Reference Only
- # Not Shown



When ordering parts using CustomQuote™, you will need to know the unit size and color/finish information in addition to the configured number. See the Order Form on Page ii for more information

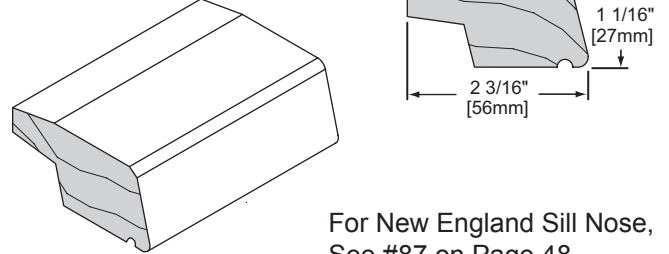
01 Brick Mould, Head and Jamb



Configured Number

C110034

02 Sill Nose

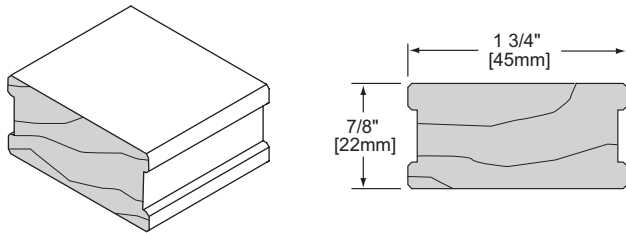


For New England Sill Nose, See #87 on Page 48.

Configured Number

C110790

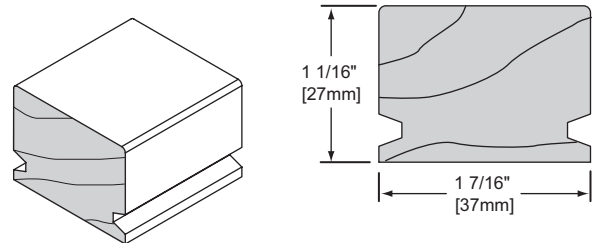
03 Jamb Filler Block, Head



Configured Number

C110009

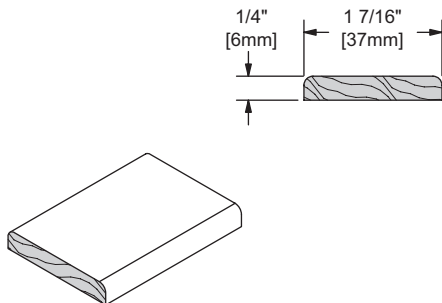
04 Mull Cover, Exterior



Configured Number

C110240

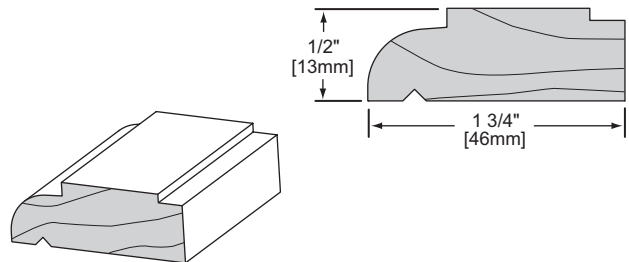
05 Interior Mull Cover



Configured Number

C110038

06 Sill Stop, Egress



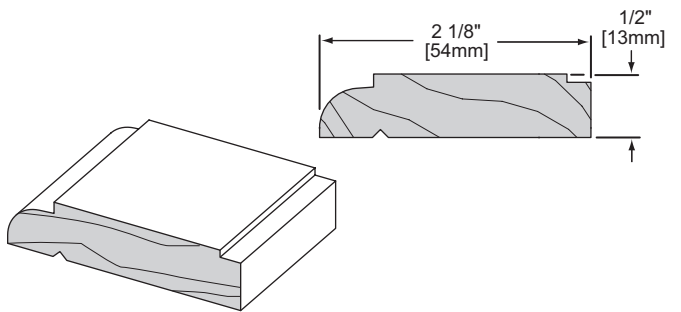
Configured Number

C110230



When ordering parts using CustomQuote™, you will need to know the unit size and color/finish information in addition to the configured number. See the Order Form on Page ii for more information

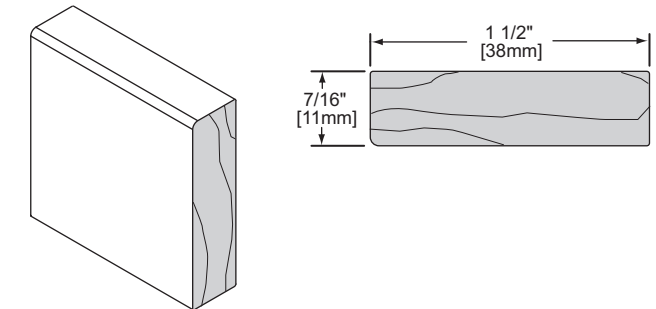
07 Sill Stop



Configured Number

C110229

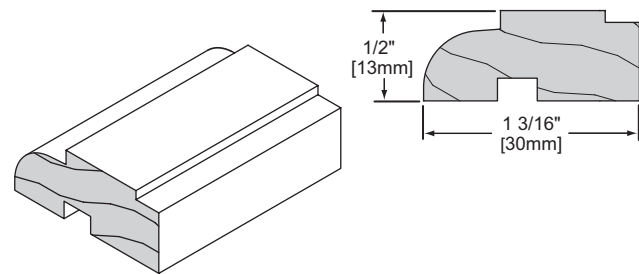
08 Blind Stop



Configured Number

C110224

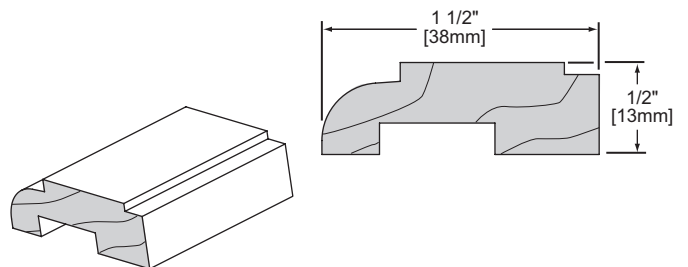
09 Inside Stop, Head (Picture Unit)



Configured Number

C110231

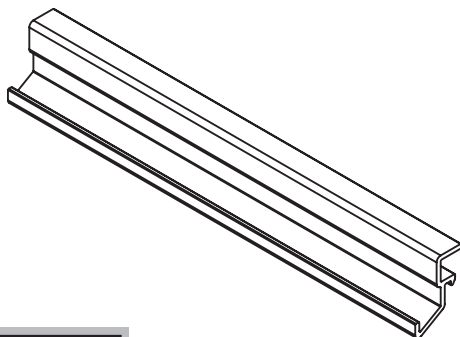
10 Inside Stop, Side (Operating & Picture Units) Head, Side and Sill Stop



Configured Number

C110232

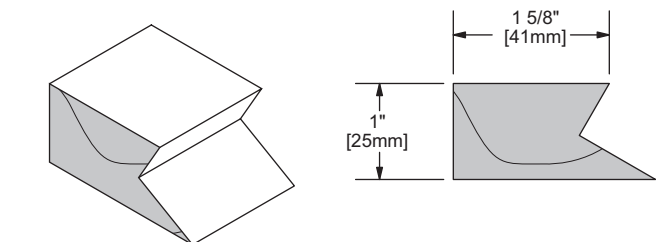
11 Top Sash Stop, Vinyl (Eyebrow Units)



Configured Number

C760160

12 Bay Extender, 30°



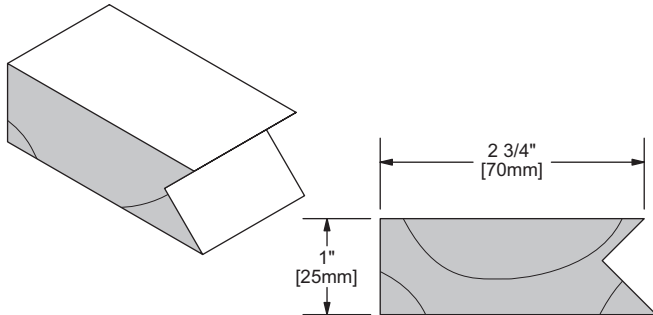
Configured Number

C110235



When ordering parts using CustomQuote™, you will need to know the unit size and color/finish information in addition to the configured number. See the Order Form on Page ii for more information

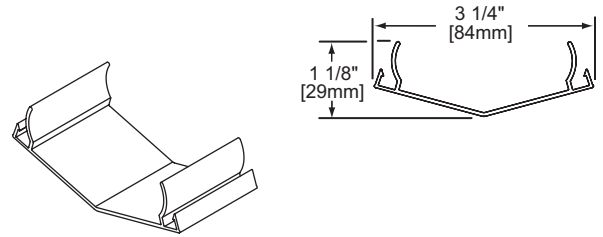
13 Bay Extender, 45°



Configured Number

C110236

14 Exterior Bay Mull Cover, 30°



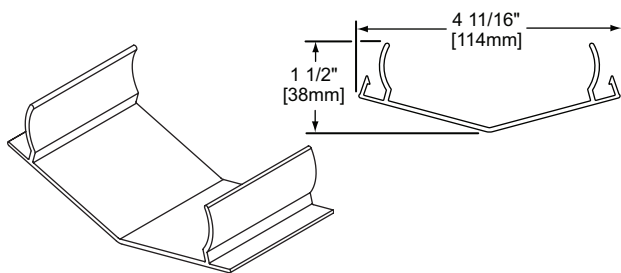
Configured Number

C967845

Extrusion Number

1615

15 Exterior Bay Mull Cover, 45°



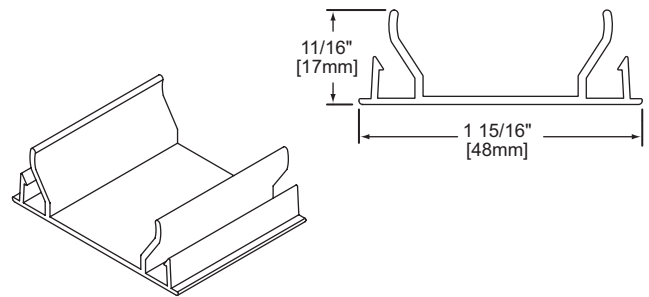
Configured Number

C967840

Extrusion Number

1608

16 Exterior Mull Cover, 1 1/2"



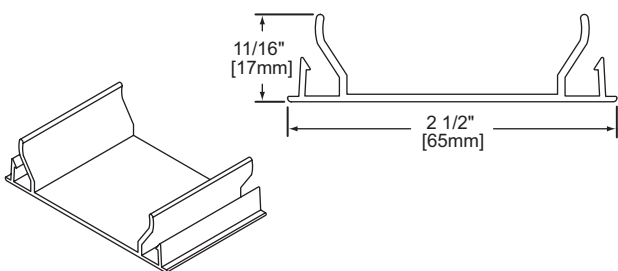
Configured Number

C963403

Extrusion Number

04-2224

17 Exterior Mull Cover, 2"



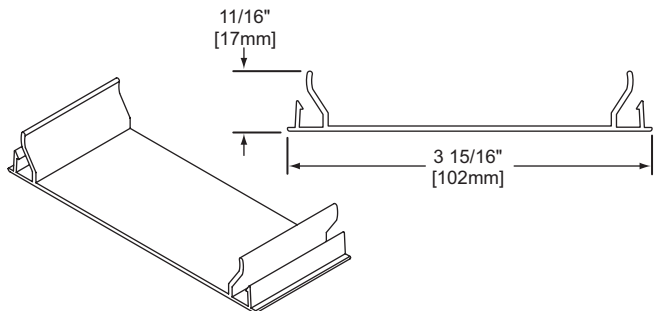
Configured Number

C963411

Extrusion Number

04-2225

18 Exterior Mull Cover, 3 1/2"



Configured Number

C963419

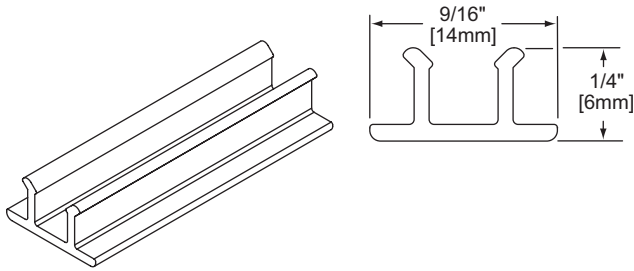
Extrusion Number

04-2226



When ordering parts using CustomQuote™, you will need to know the unit size and color/finish information in addition to the configured number.
See the Order Form on Page ii for more information

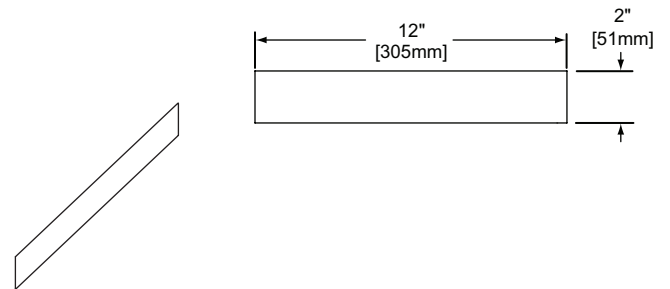
19 Exterior Mull Cover, Tight



Configured Number
C964194

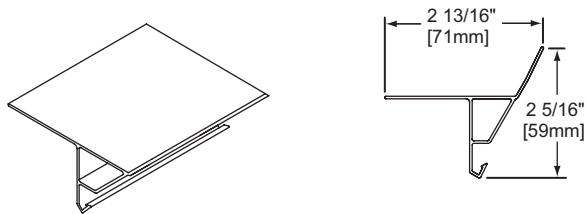
Extrusion Number
60-4196

20 Mull Plate



Part Number
960189

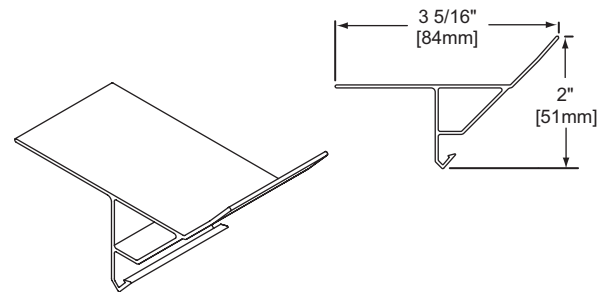
21 Bay Side Adapter, 30°



Configured Number
C967860

Extrusion Number
1618

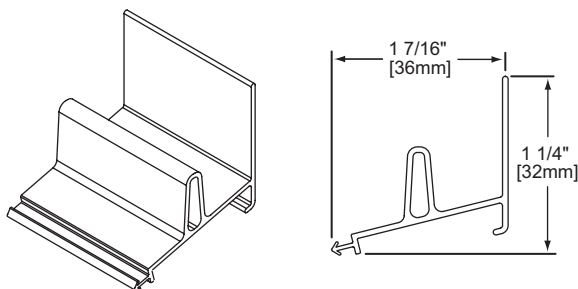
22 Bay Side Adapter, 45°



Configured Number
C967855

Extrusion Number
1617

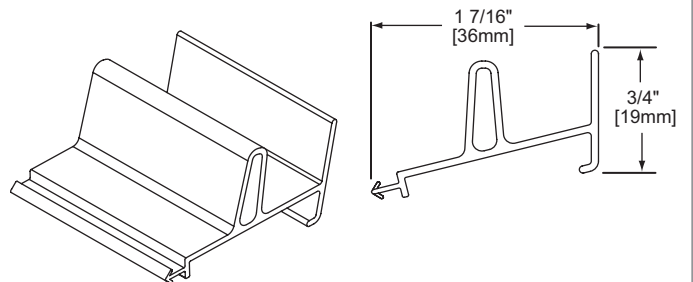
23 Sill Riser



Configured Number
C762711

Extrusion Number
8109

24 Sill Riser, Egress



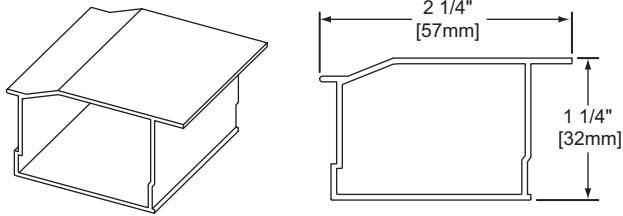
Configured Number
C761108

Extrusion Number
70-1061



When ordering parts using CustomQuote™, you will need to know the unit size and color/finish information in addition to the configured number. See the Order Form on Page ii for more information

25 Jamb Filler Block, Aluminum



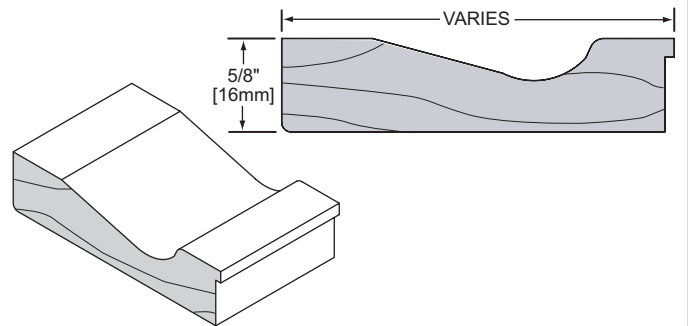
Configured Number

C963815

Extrusion Number

04-2103

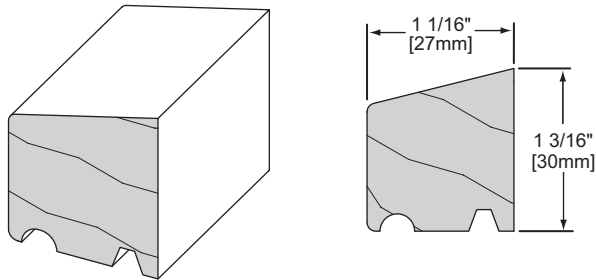
26 Extender, up to 7 5/8"



Configured Number

C1027663

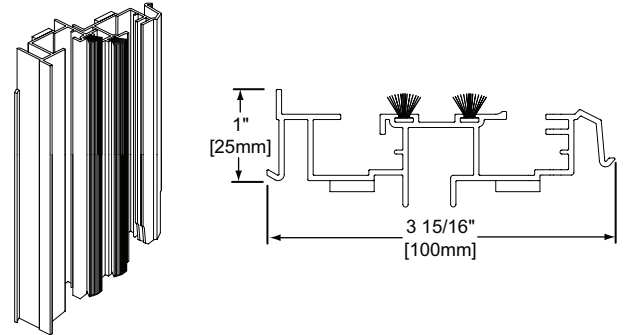
27 Mull Nose, Transom



Configured Number

C110237

28 Jamb Liner, Vinyl



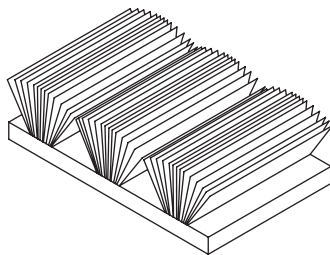
Configured Number

C762828

Extrusion Number

02-1235

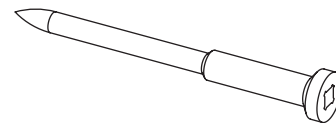
29 Dust Pad, Jamb Liner



Part Number

982812

30 Adjustment Screw, Jamb (Optional)



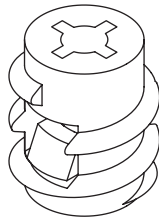
Part Number

982505



When ordering parts using CustomQuote™, you will need to know the unit size and color/finish information in addition to the configured number. See the Order Form on Page ii for more information

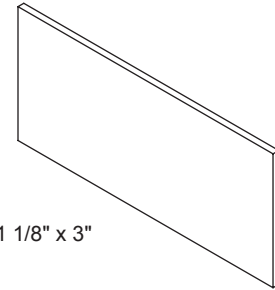
31 Adjustment Screw Insert, Jamb (Optional)



Part Number

941123

32 Jamb Liner Gasket

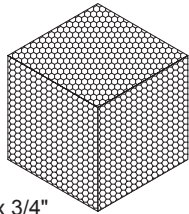


1 1/8" x 3"

Part Number

982472

33 End Plug, Jamb Liner



3/4" x 3/4" x 3/4"

Part Number

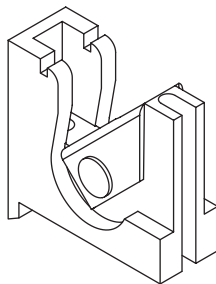
982810

34 Balance Assembly



NOTE: See Page 62 for ordering information.

35 Tilt Shoe (Cam Lock)



Part Number

980791 - White
981872 - Black

36 S - Clip, 1" (Top)



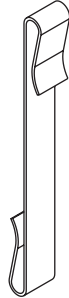
Part Number

979131



When ordering parts using CustomQuote™, you will need to know the unit size and color/finish information in addition to the configured number.
See the Order Form on Page ii for more information

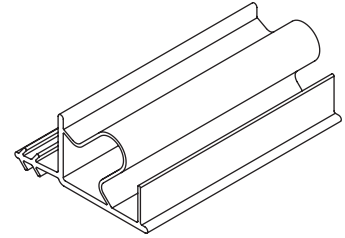
37 S - Clip, 2" (Bottom)



Part Number

979132

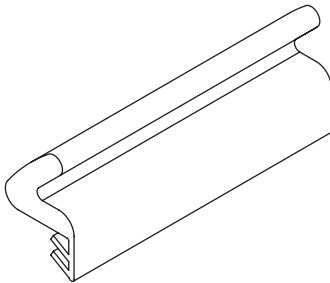
38 Weather Strip



{E 5-04}

Replace With C982507 (#39)

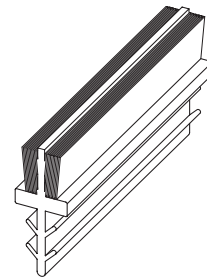
39 Weather Strip



Configured Number

C982507

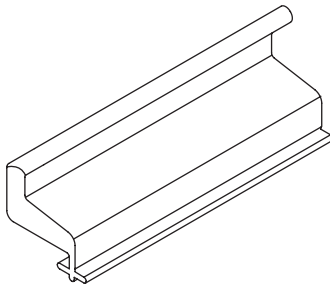
40 Weather Strip, Check Rail



Configured Number

C982776

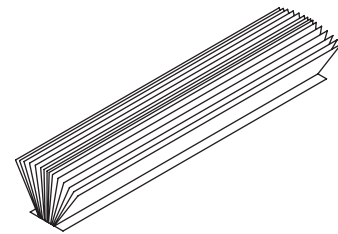
41 Sash Weather Strip, Foam Filled



Configured Number

C981992

42 Weather Strip, .270" Pile



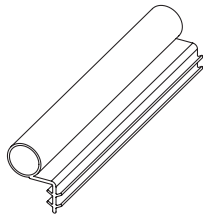
Configured Number

C980713



When ordering parts using CustomQuote™, you will need to know the unit size and color/finish information in addition to the configured number. See the Order Form on Page ii for more information

43 Weather Strip, Sash



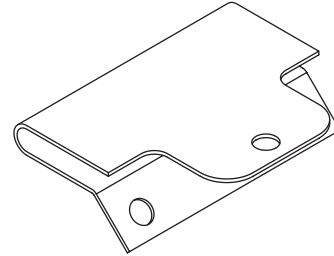
Configured Number

C761880

Extrusion Number

8045

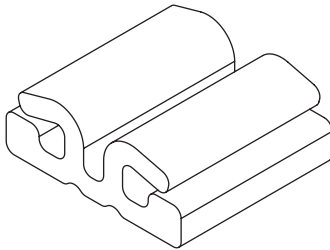
44 Sash Clip, Replacement



Part Number

941605

45 Sash Stop



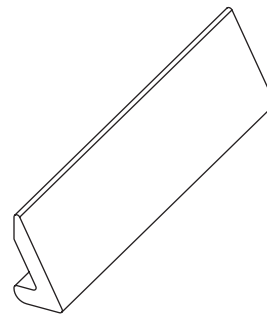
Extrusion Number

8059

Part Number

760958 - White
762562 - Tan

46 Sash Wedge, Vinyl



Extrusion Number

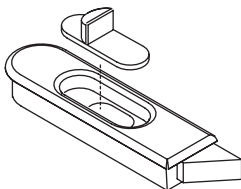
60-0102

Part Number

051737

47 Tilt Latch, Upper

Right Shown



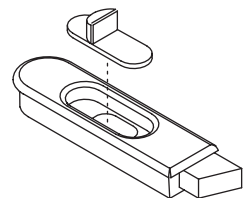
Goldtone Only

Part Number

Left - 941316
Right - 941318

48 Tilt Latch, Lower

Right Shown



FINISH	PART NUMBERS	
	LEFT	RIGHT
Bright Brass	941593	941594
White	941589	941590
Goldtone	941591	941592
Oil Rubbed Bronze	941595	941596
Brushed Nickel	941597	941598
Brushed Chrome	941599	941600
Adobe	941603	941604

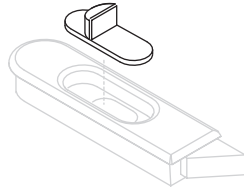
NOTE: Order parts as viewed from exterior.



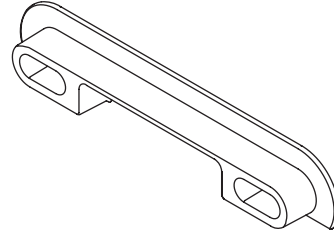
When ordering parts using CustomQuote™, you will need to know the unit size and color/finish information in addition to the configured number.
See the Order Form on Page ii for more information

49 Tilt Latch Button

FINISH	PART #
Bright Brass	941392
White	941357
Goldtone	941358
Oil Rubbed Bronze	941389
Brushed Nickel	941390
Brushed Chrome	941391
Adobe	941606

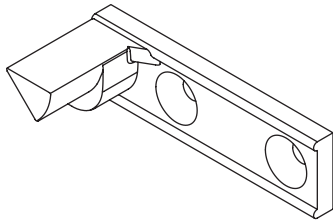


50 Keeper



Part Number
Beige - 941564
Bright Brass - 941570

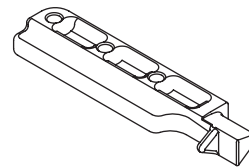
51 Pivot Pin



Left Shown

Part Number
Left - 982725
Right - 982726

52 Pivot Pin, DP50 Upgrade



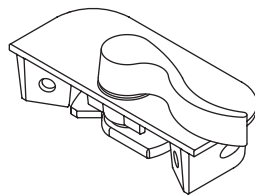
Left Shown

Part Number
Left - 982559
Right - 982560

53 Lock

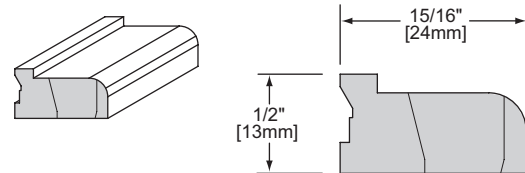
FINISH	PART NUMBERS	
	LEFT	RIGHT
Bright Brass	941556	941557
White	941552	941553
Goldtone	941548	941549
Oil Rubbed Bronze	941560	941561
Brushed Nickel	941558	941559
Brushed Chrome	941562	941563
Adobe	941550	941551

Right Shown



NOTE: Order parts as viewed from exterior.

54 Glazing Bead (Single Glaze)

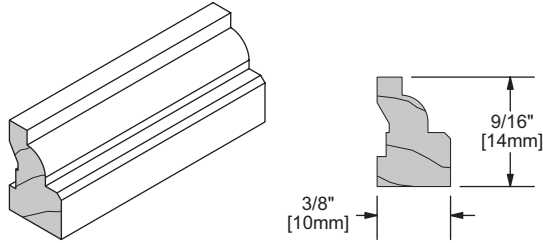


Configured Number
C666428



When ordering parts using CustomQuote™, you will need to know the unit size and color/finish information in addition to the configured number. See the Order Form on Page ii for more information

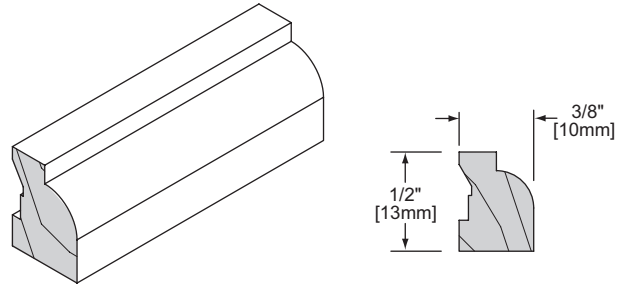
55 Glazing Bead (Insul & 1 3/8" TDL)



Configured Number

C110239

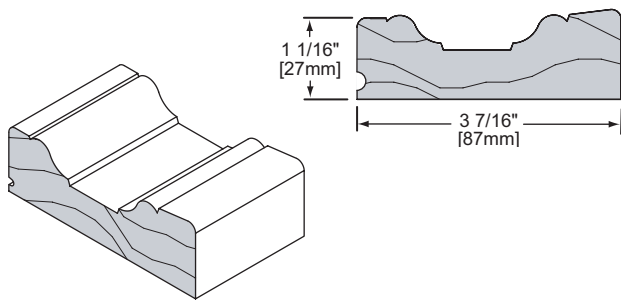
56 Glazing Bead, (7/8" TDL)



Configured Number

C1011795

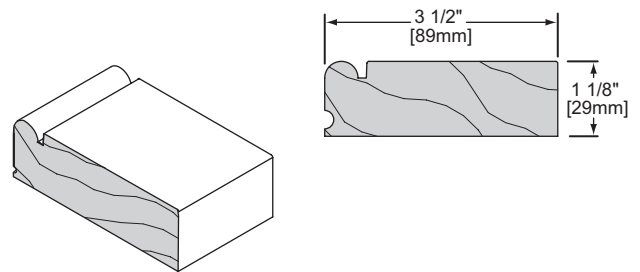
57 Wood Exterior Trim, Washington Style



Configured Number

C163867

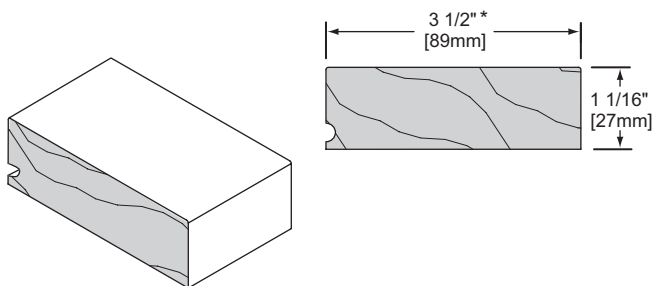
58 Wood Exterior Trim, Franklin Casing



Configured Number

C741772

59 Wood Exterior Trim, Flat Casing

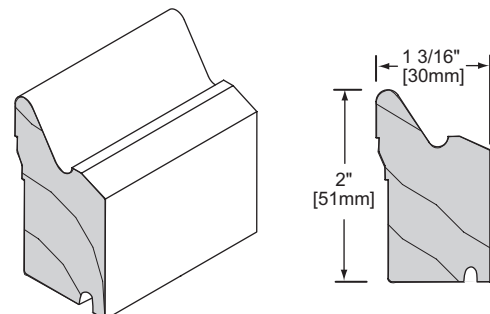


* Width varies. 3 1/2" shown.

Configured Number

C730317

60 Wood Exterior Trim, Stucco Mould



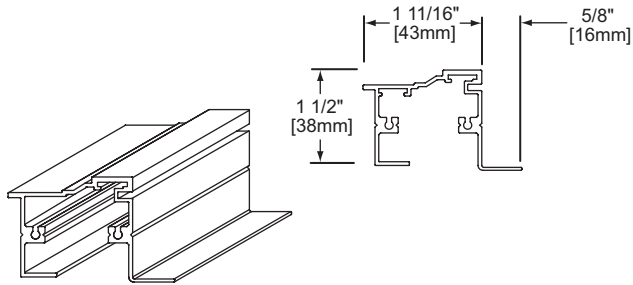
Configured Number

C167737



When ordering parts using CustomQuote™, you will need to know the unit size and color/finish information in addition to the configured number. See the Order Form on Page ii for more information

61 Aluminum Exterior Trim, 2" Brick Mould



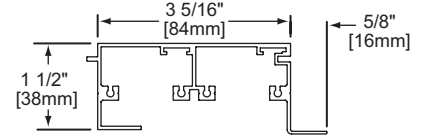
Configured Number

Extrusion Number

C968621

1549

62 Aluminum Exterior Trim, Flat Casing



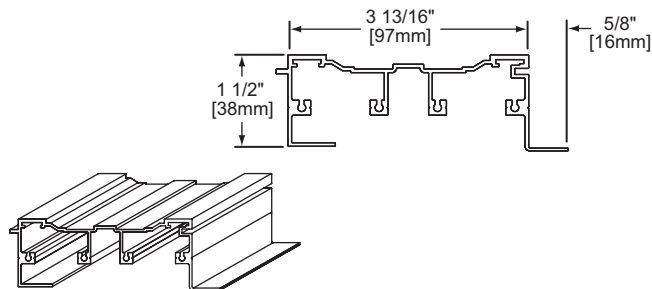
Configured Number

Extrusion Number

C968628

1545

63 Aluminum Exterior Trim, Washington Style



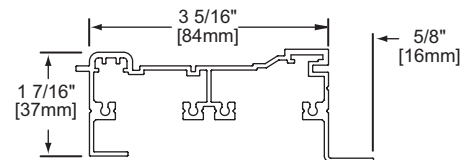
Configured Number

Extrusion Number

C968635

1528

64 Aluminum Exterior Trim, Historical Brick Mould



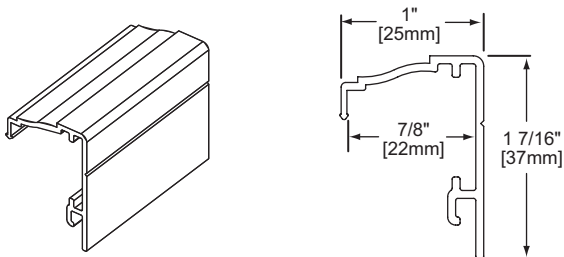
Configured Number

Extrusion Number

C963664

04-2181

65 Aluminum Exterior Trim, 1" Brick Mould



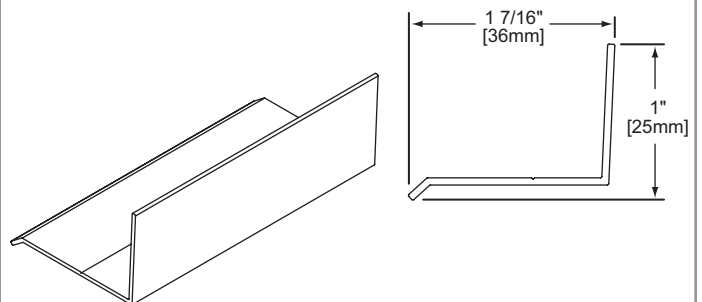
Configured Number

Extrusion Number

C963443

04-2183

66 Aluminum Exterior Trim, Drip Cap



Configured Number

Extrusion Number

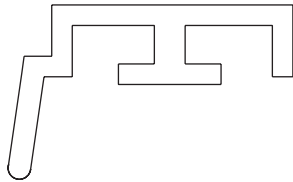
C963395

04-2064



When ordering parts using CustomQuote™, you will need to know the unit size and color/finish information in addition to the configured number.
See the Order Form on Page ii for more information

67 Storm/Screen, Bottom Interlock



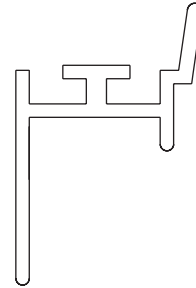
Configured Number

C967710

Extrusion Number

8571

68 Storm/Screen, Top Interlock



Configured Number

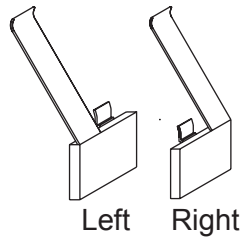
C967706

Extrusion Number

8570

69 Tension Clip, Storm

FINISH	PART NUMBERS	
	LEFT	RIGHT
White	979120	979119
Desert Tan	982513	982512
Craftsman Bronze	982806	982807

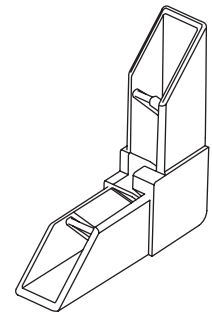


Left Right

NOTE: Order parts as viewed from exterior.

70 Storm/Screen Corner Key

FINISH	PART #
White	982732
Desert Tan	981558
Adobe	981559
Goldtone	982734
Hartford Green	981560
Craftsman Bronze	982805



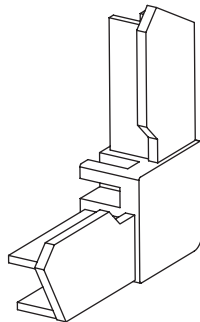
See NOTE below.

NOTE: Please match your existing corner key to #70 or #71 and order accordingly.

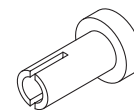
71 Storm/Screen Corner Key

See NOTE above.

FINISH	PART #
White	981632
Desert Tan	979122
Adobe	979020
Goldtone	979123
Bright Brass	980742
Hartford Green	981449
Obsidian	981453
Craftsman Bronze	982803



72 Pull Knob, Plunger



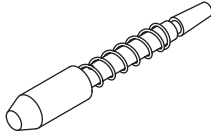
Part Number

980574



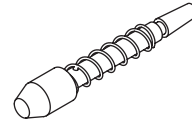
When ordering parts using CustomQuote™, you will need to know the unit size and color/finish information in addition to the configured number. See the Order Form on Page ii for more information

73 Pin, **Top** Plunger & Spring



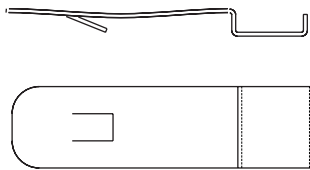
Part Number
160100

74 Pin, **Side** Plunger & Spring



Part Number
706054

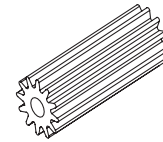
75 Storm Insert Pin



20" Glass Width or Larger

Part Number
979550

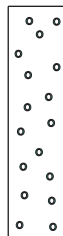
76 Screen Spline



Configured Number
C740690

Extrusion Number
1018

77 Head Foam Pad



20" Glass Width or Larger

Part Number
971389

78 N/A

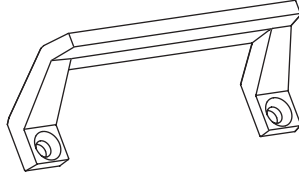
N/A



When ordering parts using CustomQuote™, you will need to know the unit size and color/finish information in addition to the configured number. See the Order Form on Page ii for more information

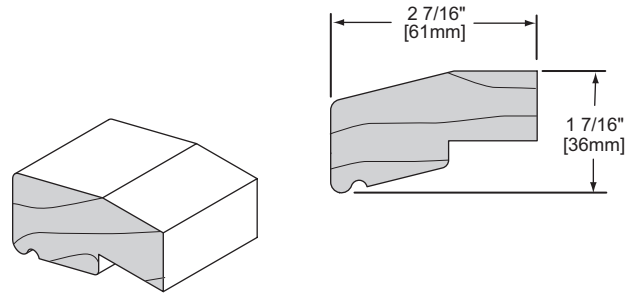
79 Sash Lift

FINISH	PART #
Adobe	941162
Oil Rubbed Bronze	941566
Bright Brass	972346
Goldtone	972529
White	972950
Brushed Nickel	N/A*
Brushed Chrome	N/A*



*Comment when ordering. Contact your Customer Relations Representative for assistance.

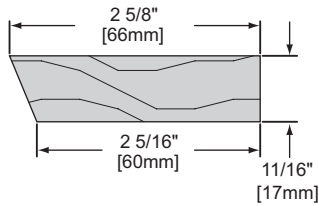
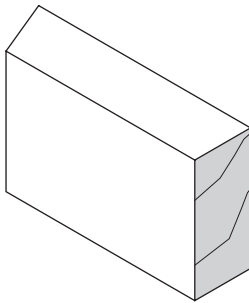
80 Sub Sill, Transom



Configured Number

C110241

81 Exterior Bay Mull Casing, 30° & 45°



Configured Number

C110242

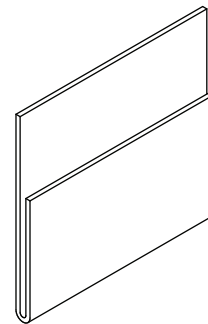
82 Interior Bay Mull Casing, 30°

See #05 on Page 34.

83 Interior Bay Mull Casing, 45°

See #05 on page 34.

84 Sill Gasket



Part Number

982811



When ordering parts using CustomQuote™, you will need to know the unit size and color/finish information in addition to the configured number. See the Order Form on Page ii for more information

85 Screen Tab, 13/16"

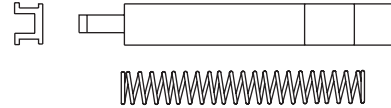


Part Number

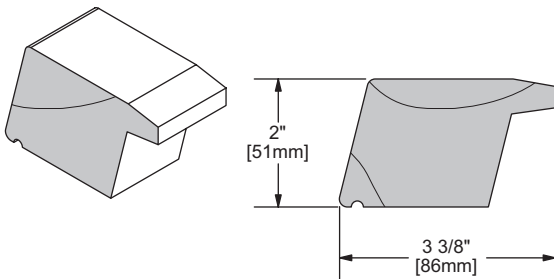
750763

86 Active Insert Plunger & Spring

FINISH	PART #
White	972017
Black	972020
Spring	972018



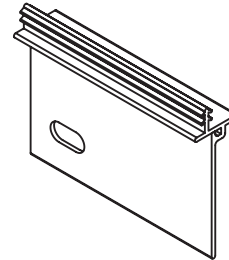
87 Sill Nose, New England



Configured Number

C160551

88 Transom Nailing Fin



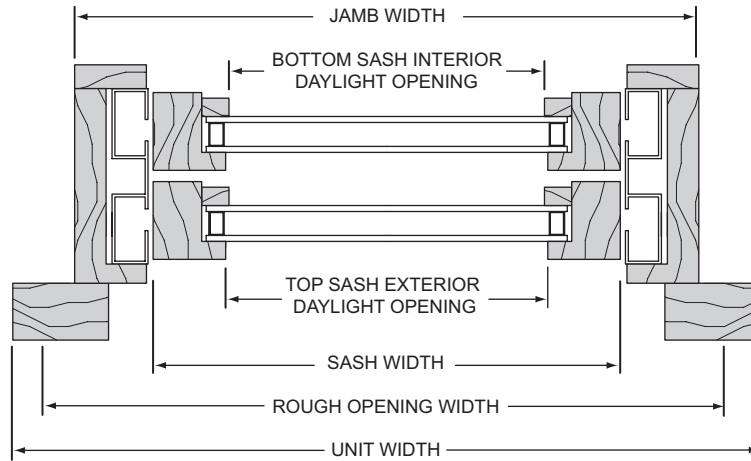
Configured Number

C975534

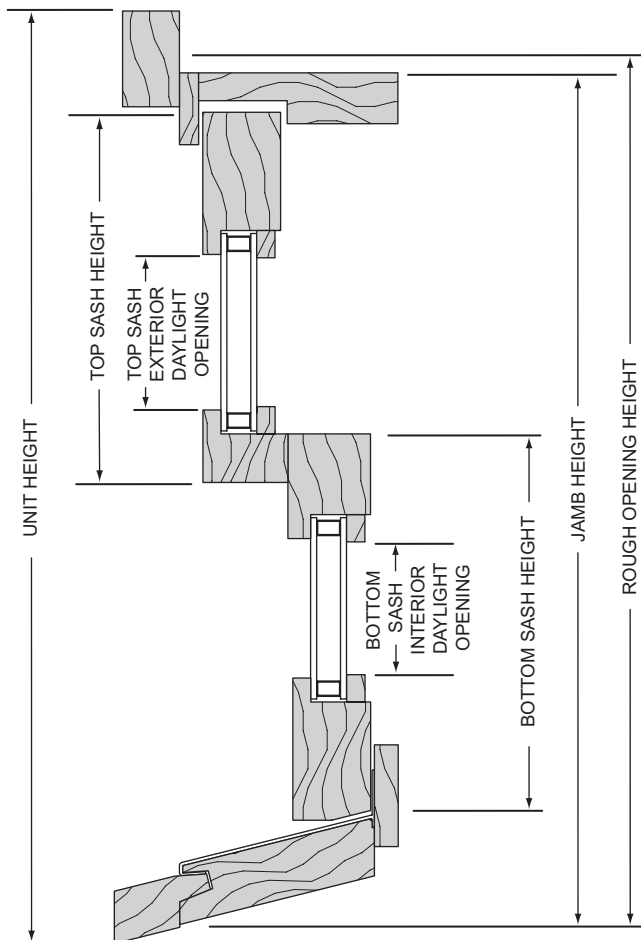


NOTE: Generic cross-sections are shown below. Part profiles are generic and for illustration purposes only. The reference points apply to measurements made on all units.

Wood Operating Unit



FORMULAS



WIDTH

Glass Width	Interior Daylight Opening Width + .936"
Glass Width	Exterior Daylight Opening Width + .814
Sash Width	Glass Width + 2.216"
Jamb Width	Glass Width + 5.438"
Rough Opening Width	Jamb Width + 1.000"
Unit Width	Glass Width + 7.896"

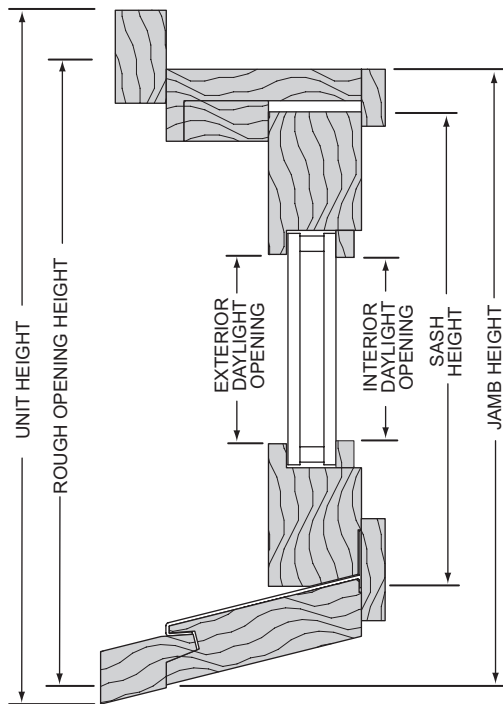
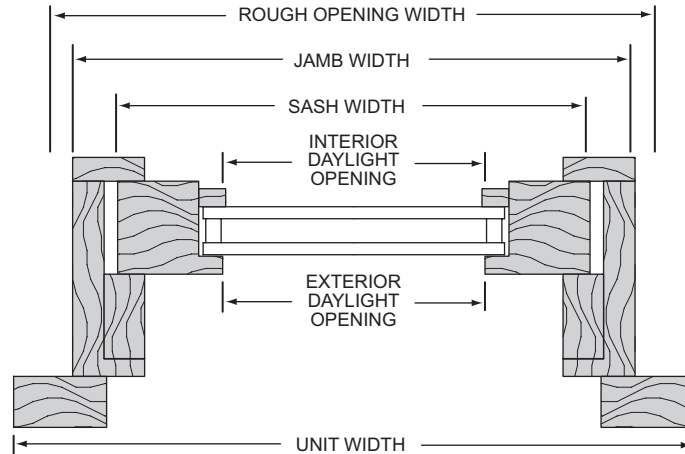
HEIGHT

Glass Height	Interior Daylight Opening Height + 1.000"
Glass Height	Exterior Daylight Opening Height + .875"
Bottom Sash Height	Glass Height + 4.282"
Top Sash Height	Glass Height + 3.609"
Jamb Height	2(Glass Height) + 9.749"
Rough Opening Height	Jamb Height + .500"
Unit Height	2(Glass Height) + 11.472"



Wood Picture Unit

NOTE: Generic cross-sections are shown below. Part profiles are generic and for illustration purposes only. The reference points apply to measurements made on all units.



FORMULAS

WIDTH

Glass Width	Interior Daylight Opening Width + 1.000"
Glass Width	Exterior Daylight Opening Width + .875"
Sash Width	Glass Width + 3.484"
Jamb Width	Glass Width + 5.438"
Rough Opening Width	Jamb Width + 1.000"
Unit Width	Glass Width + 7.896"

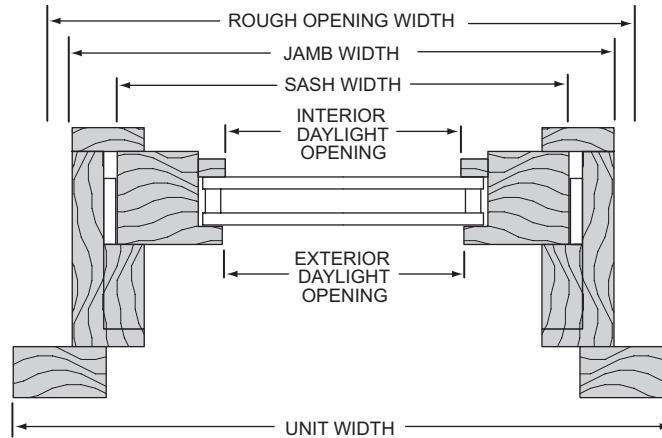
HEIGHT

Glass Height	Interior Daylight Opening Height + 1.000"
Glass Height	Exterior Daylight Opening Height + .875"
Sash Height	Glass Height + 5.230"
Jamb Height	Glass Height + 7.877"
Rough Opening Height	Jamb Height + .500"
Unit Height	Glass Height + 9.594"

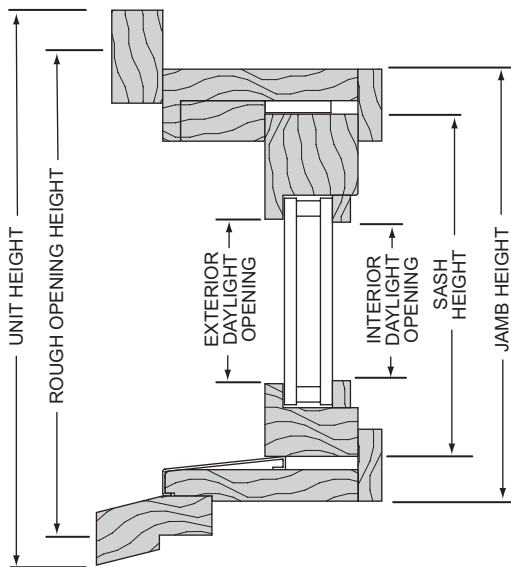


Wood Transom Unit

NOTE: *Generic cross-sections are shown below. Part profiles are generic and for illustration purposes only. The reference points apply to measurements made on all units. .*



FORMULAS



WIDTH

Glass Width	Interior Daylight Opening Width + .938"
Glass Width	Exterior Daylight Opening Width + .814"
Sash Width	Glass Width + 3.563 "
Jamb Width	Glass Width + 5.438"
Rough Opening Width	Jamb Width + 1.000"
Unit Width	Glass Width + 7.896"

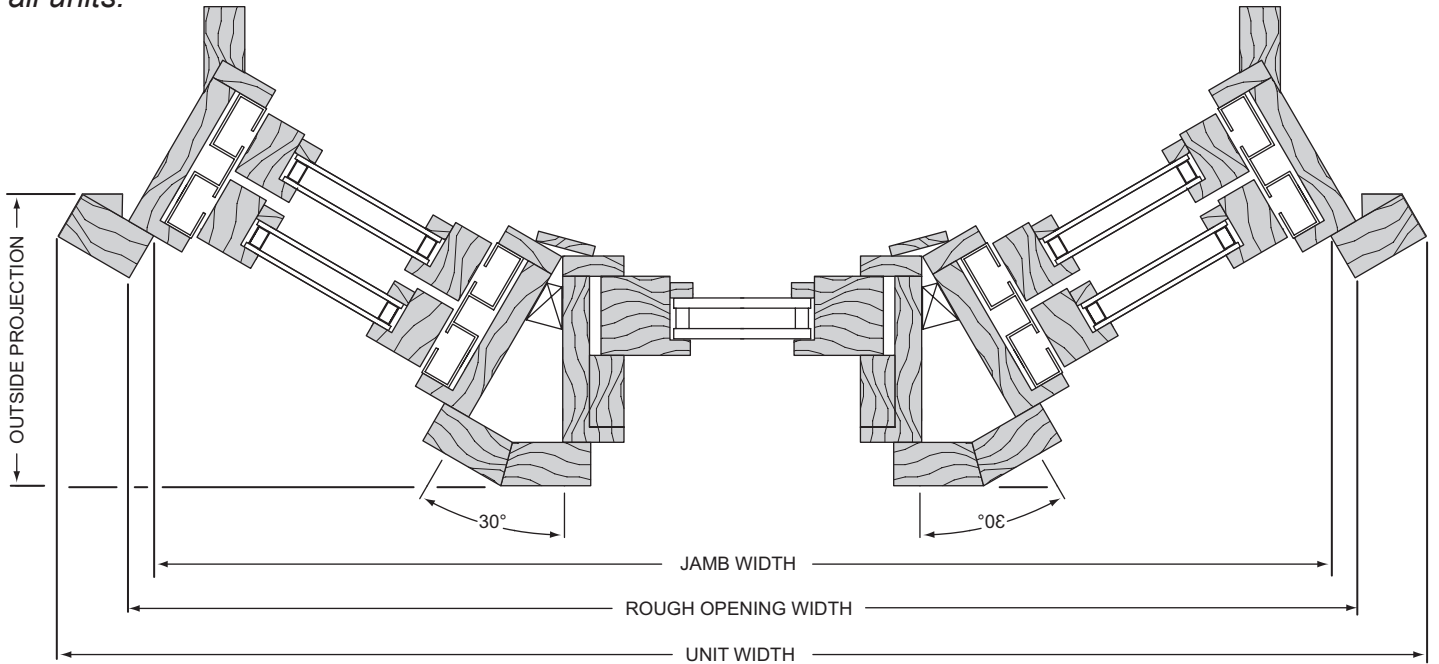
HEIGHT

Glass Height	Interior Daylight Opening Height + 1.000"
Glass Height	Exterior Daylight Opening Height + .875"
Sash Height	Glass Height + 5.230"
Jamb Height	Glass Height + 4.696"
Rough Opening Height	Jamb Height + 1.250"
Unit Height	Glass Height + 6.610"



Wood 30° Angle Bay Unit

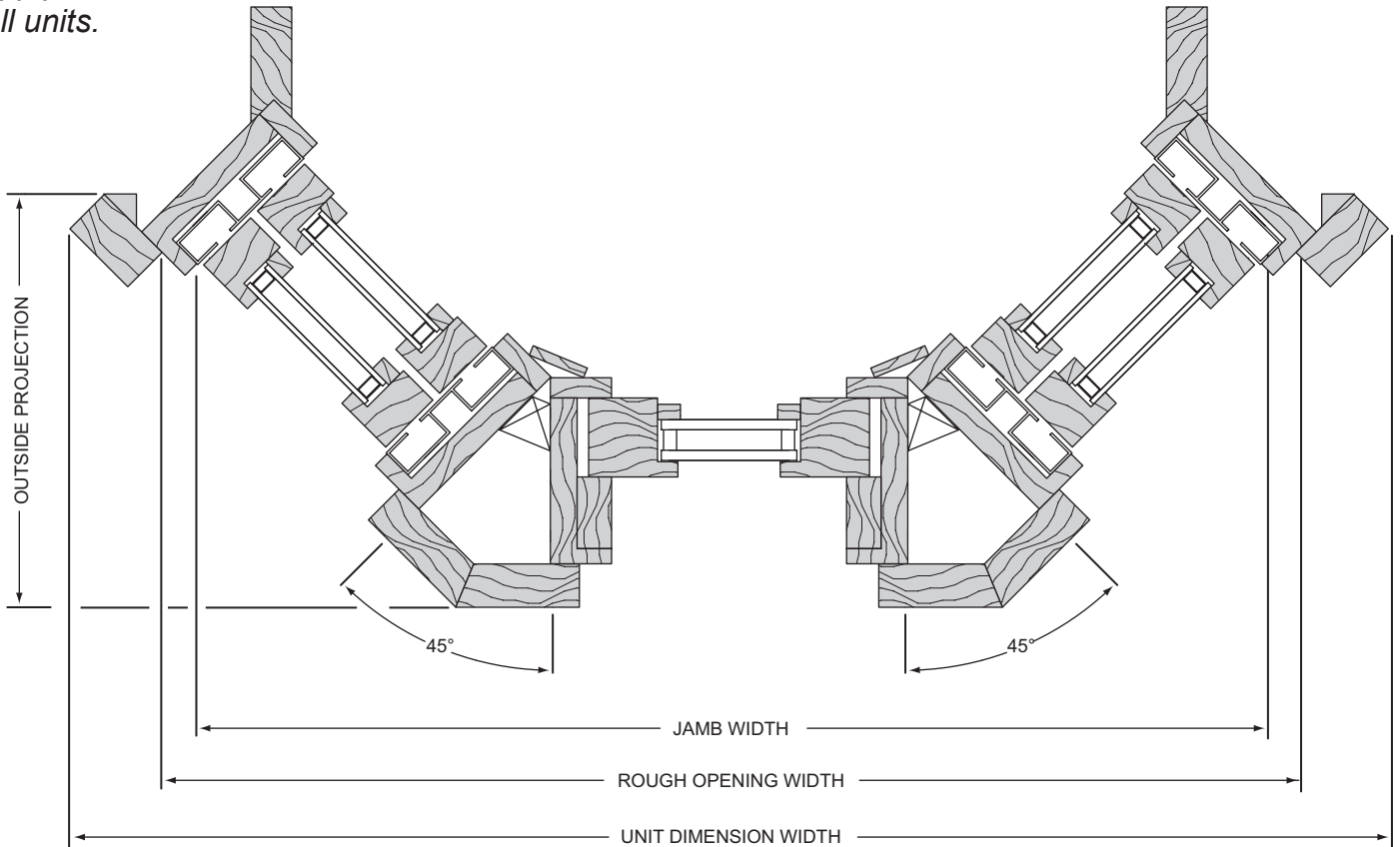
NOTE: *Generic cross-sections are shown below. Part profiles are generic and for illustration purposes only. The reference points apply to measurements made on all units.*





Wood 45° Angle Bay Unit

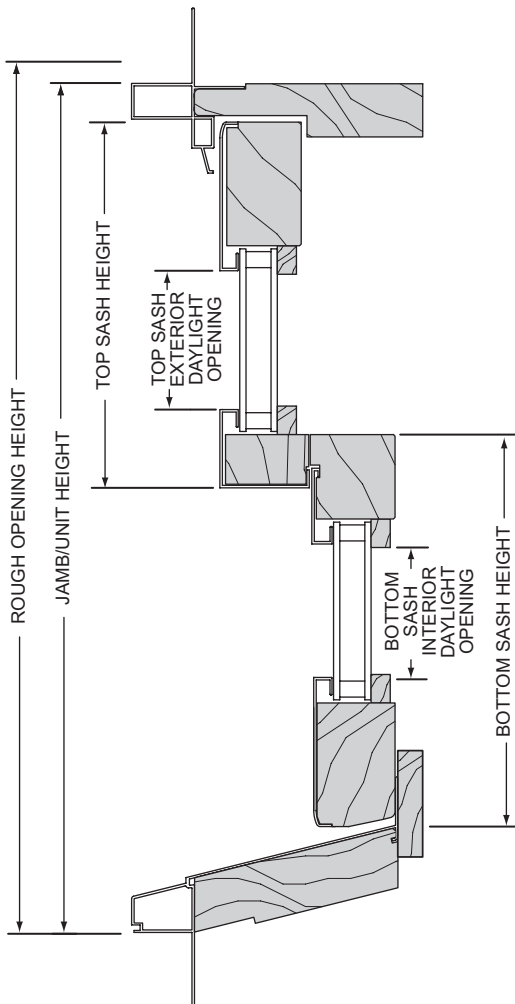
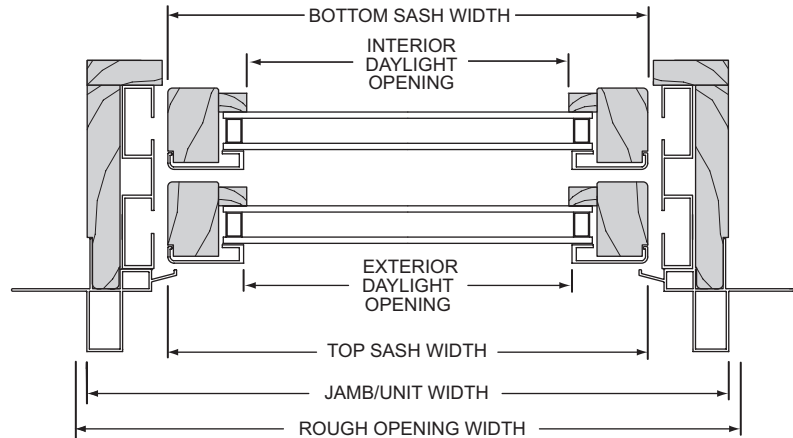
NOTE: *Generic cross-sections are shown below. Part profiles are generic and for illustration purposes only. The reference points apply to measurements made on all units.*





Clad Operating Unit

NOTE: *Generic cross-sections are shown below. Part profiles are generic and for illustration purposes only. The reference points apply to measurements made on all units.*

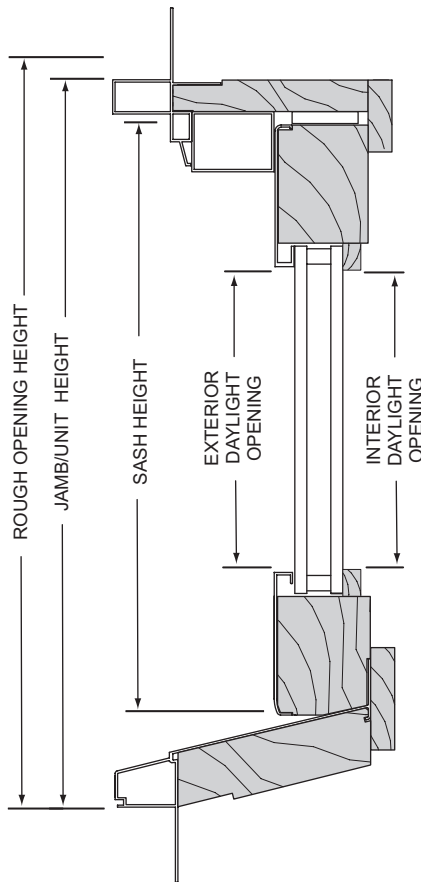
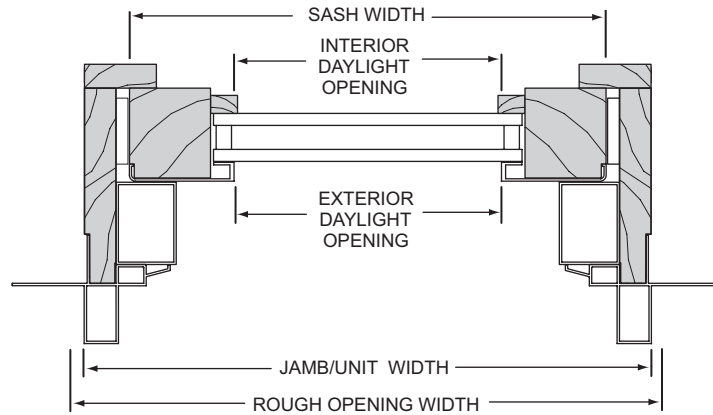


FORMULAS

WIDTH	
Glass Width	Interior Daylight Opening Width + .952"
Glass Width	Exterior Daylight Opening Width + .812"
Sash Width	Glass Width + 2.216"
Jamb/Unit Width	Glass Width + 5.438"
Rough Opening Width	Jamb Width + 1.000"
HEIGHT	
Glass Height	Interior Daylight Opening Height + 1.015"
Glass Height	Exterior Daylight Opening Height + .875"
Bottom Sash Height	Glass Height + 4.282"
Top Sash Height	Glass Height + 3.599"
Jamb/Unit Height	2(Glass Height) + 9.749"
Rough Opening Height	Jamb Height + .500"



NOTE: *Generic cross-sections are shown below. Part profiles are generic and for illustration purposes only. The reference points apply to measurements made on all units.*



FORMULAS

WIDTH

Glass Width	Interior Daylight Opening Width + .938"
Glass Width	Exterior Daylight Opening Width + .814"
Sash Width	Glass Width + 3.562"
Jamb/Unit Width	Glass Width + 5.438"
Rough Opening Width	Jamb Width + 1.000"

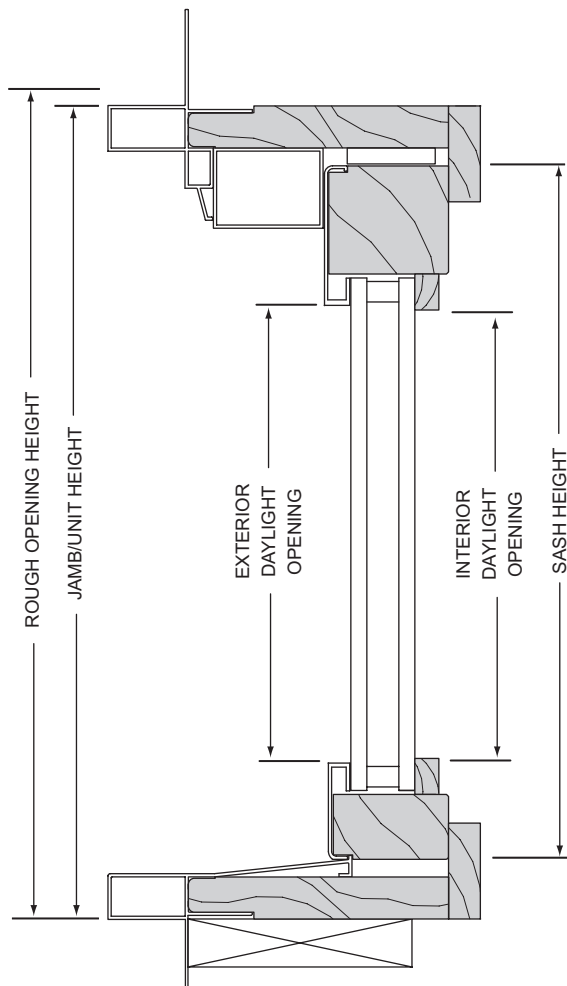
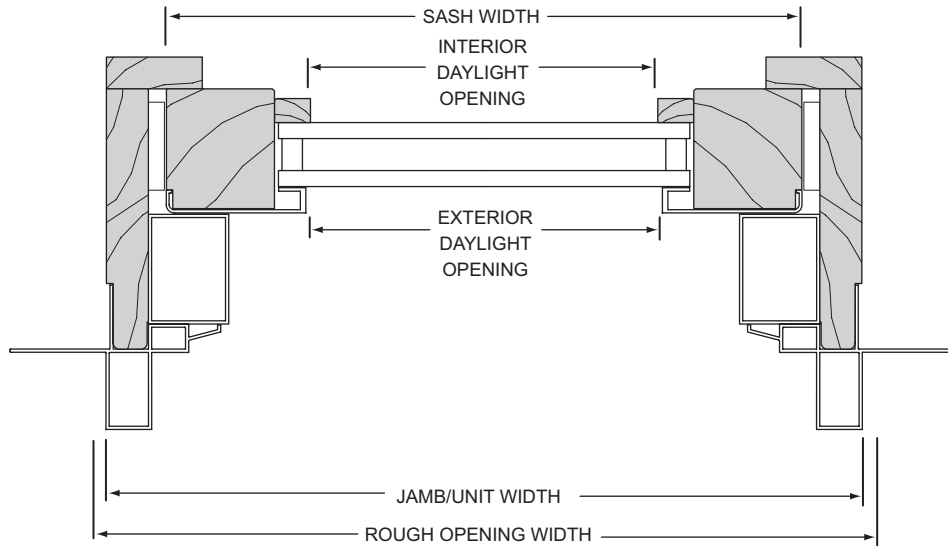
HEIGHT

Glass Height	Interior Daylight Opening Height + 1.000"
Glass Height	Exterior Daylight Opening Height + .875"
Sash Height	Glass Height + 5.064"
Jamb/Unit Height	Glass Height + 7.877"
Rough Opening Height	Jamb Height + .500"



Clad Transom Unit

NOTE: *Generic cross-sections are shown below. Part profiles are generic and for illustration purposes only. The reference points apply to measurements made on all units.*



FORMULAS

WIDTH

Glass Width	Interior Daylight Opening Width + .938"
Glass Width	Exterior Daylight Opening Width + .815"
Sash Width	Glass Width + 3.562"
Jamb/Unit Width	Glass Width + 5.438"
Rough Opening Width	Jamb Width + 1.000"

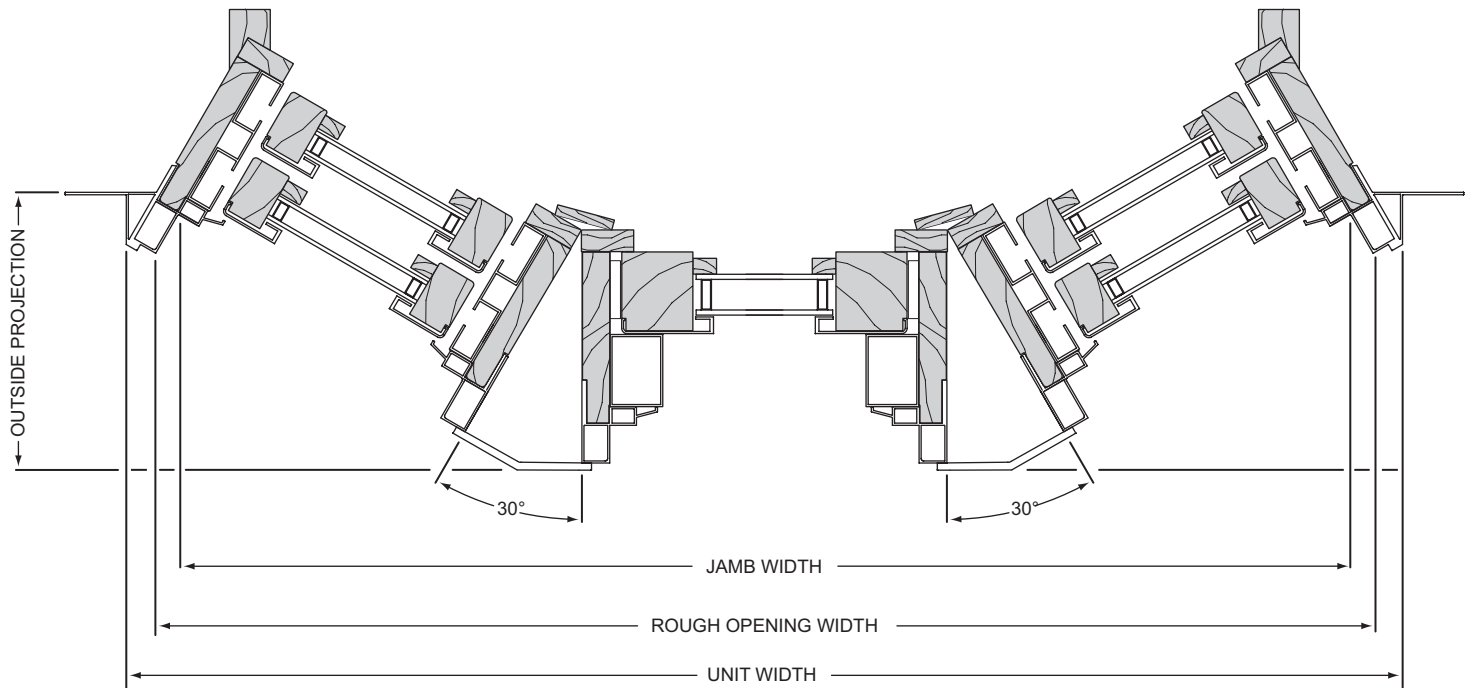
HEIGHT

Glass Height	Interior Daylight Opening Height + 1.000"
Glass Height	Exterior Daylight Opening Height + .876"
Sash Height	Glass Height + 2.826"
Jamb/Unit Height	Glass Height + 4.696"
Rough Opening Width	Jamb Width + 1.250"



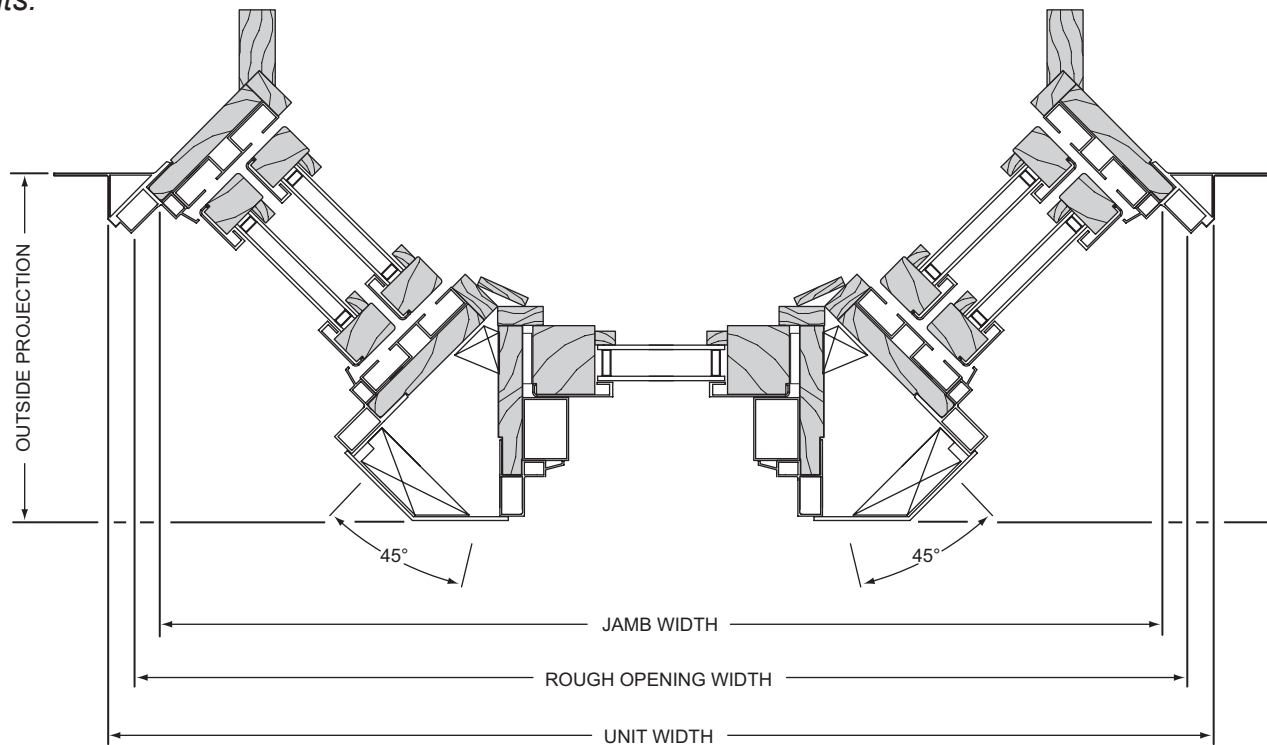
Clad 30° Angle Bay Unit

NOTE: *Generic cross-sections are shown below. Part profiles are generic and for illustration purposes only. The reference points apply to measurements made on all units.*





NOTE: *Generic cross-sections are shown below. Part profiles are generic and for illustration purposes only. The reference points apply to measurements made on all units.*



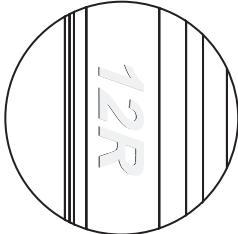
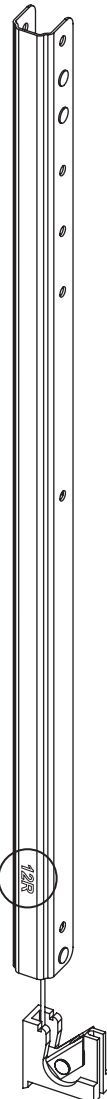


BEIGE BALANCE PART NUMBERS BY CODE

CODE	PART #	CODE	PART #	CODE	PART #
6R	981456	25HD	980786	39R	980922
10HD	980859	25R	980785	39TG	980924
10R	980858	25TG	980800	40HD	980834
11R	980860	26HD	980819	40R	980833
12HD	980864	26L	980891	40TG	980835
12L	980862	26R	980818	41HD	980927
12R	980863	26TG	980820	41R	980926
12TG	980865	26TGX	981696	41TG	980928
13HD	980867	27HD	980788	42HD	980837
13R	980866	27R	980787	42R	980836
14HD	980804	27TG	980801	42TG	980873
14L	980869	28HD	980822	43HD	980931
14R	980803	28R	980821	43R	980930
14TG	980805	28TG	980823	43TG	980932
15HD	980776	28TGX	981697	44HD	980935
15R	980775	29HD	980790	44R	980934
16HD	980807	29R	980789	44TG	980936
16L	980872	29TG	980802	45HD	980840
16R	980806	30HD	980899	45R	980839
16TG	980808	30R	980898	45TG	980841
17HD	980778	30TG	980900	46HD	980939
17R	980777	31HD	980902	46R	980938
17TG	980796	31R	980901	46TG	980940
18HD	980877	31TG	980903	47HD	980942
18R	980876	32HD	980825	47R	980941
18TG	980878	32L	980904	47TG	980943
19HD	980780	32R	980824	48HD	980946
19R	980779	32TG	980826	48R	980945
19TG	980881	32TGX	981535	48TG	980947
20HD	980810	33HD	980906		
20L	980882	33R	980905		
20R	980809	33TG	980907		
20TG	980811	34HD	980828		
21HD	980782	34L	980908		
21R	980781	34R	980909		
21TG	980798	34TG	980829		
22HD	980813	35HD	980912		
22R	980812	35R	980911		
22TG	980814	35TG	980913		
22TGX	981698	36HD	980831		
23HD	980784	36L	980914		
23R	980783	36R	980830		
23TG	980799	36TG	980832		
24HD	980816	36TGX	981536		
24R	980815	38R	980919		
24TG	980817	38TG	980921		
24TGX	981695	39HD	980923		

WHITE BALANCE PART NUMBERS BY CODE

CODE	PART #	CODE	PART #	CODE	PART #
10HD	980949	25TG	980997	41HD	981040
10R	980948	26HD	980846	41R	981039
11HD	980951	26L	980998	41TG	981041
11R	980950	26R	980845	42HD	981044
12HD	980954	26TG	980847	42R	981043
12L	980952	27HD	981000	42TG	981045
12R	980953	27R	980999	43HD	981047
12TG	980955	27TG	981001	43R	981046
13HD	980957	28HD	980849	43TG	981048
13R	980956	28R	980848	44HD	981051
13TG	980958	28TG	980850	44R	981050
14HD	980961	29HD	981004	44TG	981052
14R	980960	29R	981003	45HD	981054
14TG	980962	29TG	981005	45R	981053
15HD	980964	30HD	981008	45TG	981055
15R	980963	30R	981007	46HD	981058
15TG	980965	30TG	981009	46R	981057
16HD	980968	31HD	981011	46TG	981059
16L	980966	31R	981010	47HD	981061
16R	980967	31TG	981012	47R	981060
16TG	980969	32HD	980852	47TG	981062
17HD	980971	32R	980851	48HD	981065
17R	980970	32TG	980853	48R	981064
17TG	980972	33HD	981015	48TG	981066
18HD	980975	33R	981014		
18R	980974	33TG	981016		
18TG	980976	34HD	980855		
19HD	980978	34R	980854		
19R	980977	34TG	980856		
19TG	980979	35HD	981019		
20HD	980982	35R	981018		
20R	980981	35TG	981020		
20TG	980983	36HD	981023		
21HD	980985	36R	981022		
21R	980984	36TG	981024		
21TG	980986	37HD	981026		
22HD	980989	37R	981025		
22R	980988	37TG	981027		
22TG	980990	38HD	981030		
23HD	980992	38R	981029		
23R	980991	38TG	981031		
23TG	980993	39HD	981033		
24HD	980843	39R	981032		
24R	980842	39TG	981034		
24TG	980844	40HD	981037		
25HD	980996	40R	981036		
25R	980995	40TG	981038		



Use the code imprinted on your balance cover (as illustrated above) to reference the appropriate replacement part number(s).

NOTE:
Balance Codes have changed. If your balance cover is imprinted with a code not found in the charts, use the following key to determine its equivalent:
R = REG
L = LT



Revision #	Date	Revisions Made
New Release	6/05	N/A
1	10/05	Added Transom Nailing Fin, Updated Wood Stack Unit
2	3/06	Updated Jamb Liner Configured Number
3	10/07	Updated pages 16, 19, 34, 40, 43, and 46