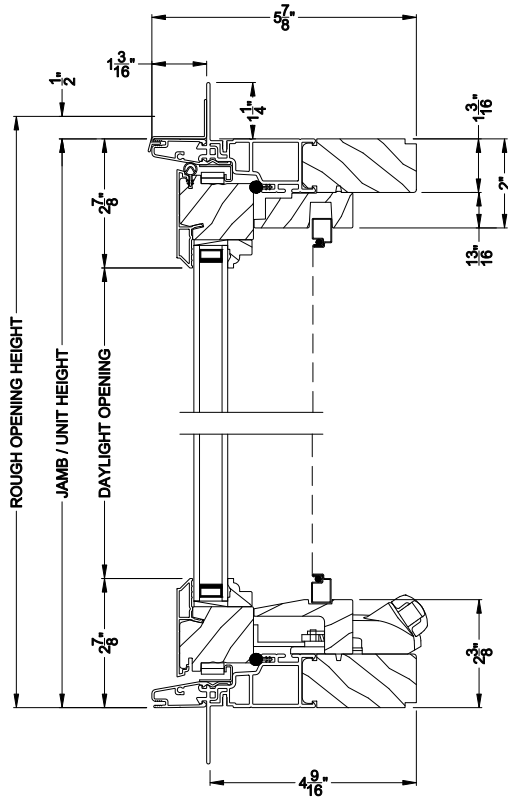


# Weather Shield®

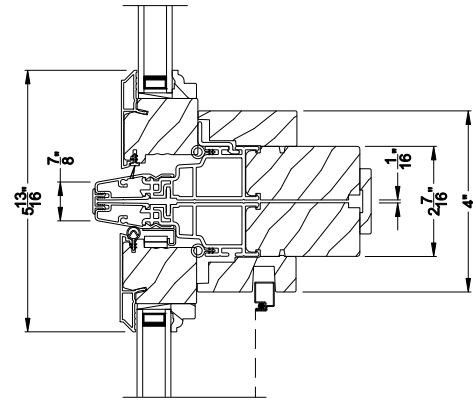
## Premium Series™

# Casement Windows

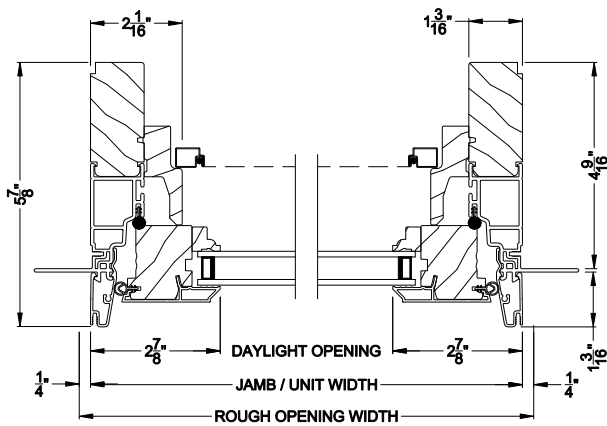
## CROSS SECTION DETAILS



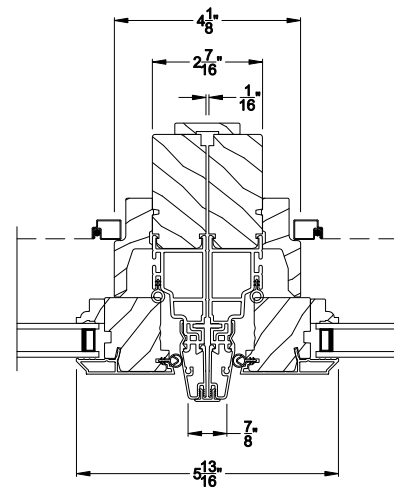
**PREMIUM CASEMENT WINDOW (8211)**  
Vertical Section



**PREMIUM CASEMENT WINDOW**  
Horizontal Stack Section - Transom Stack over Casement



**PREMIUM CASEMENT WINDOW (8211)**  
Horizontal Section



**PREMIUM CASEMENT WINDOW**  
Vertical Mull Section

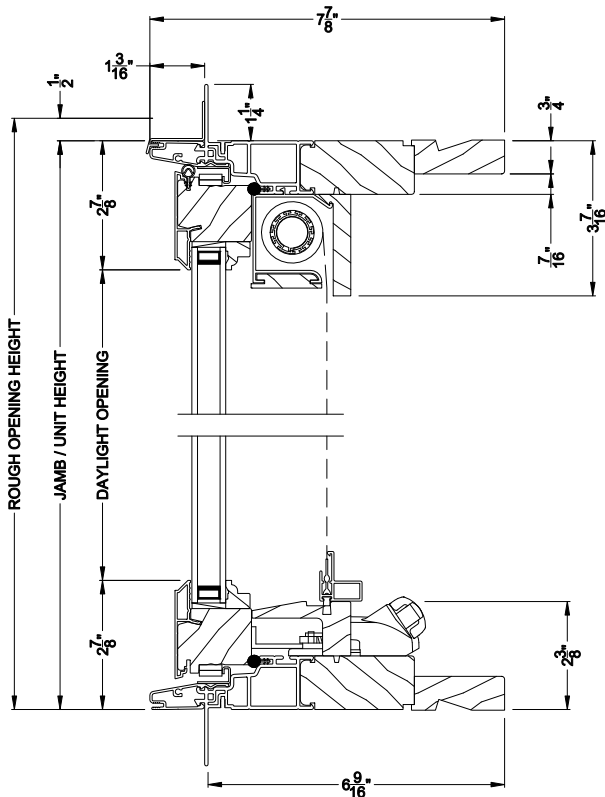
Note: All dimensions are approximate. Weather Shield reserves the right to change specifications without notice.

# Weather Shield®

## Premium Series™

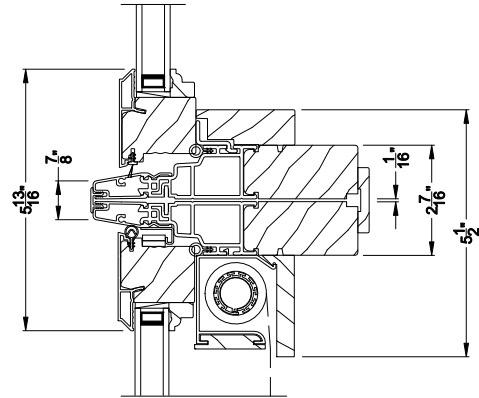
# Casement Windows

## CROSS SECTION DETAILS



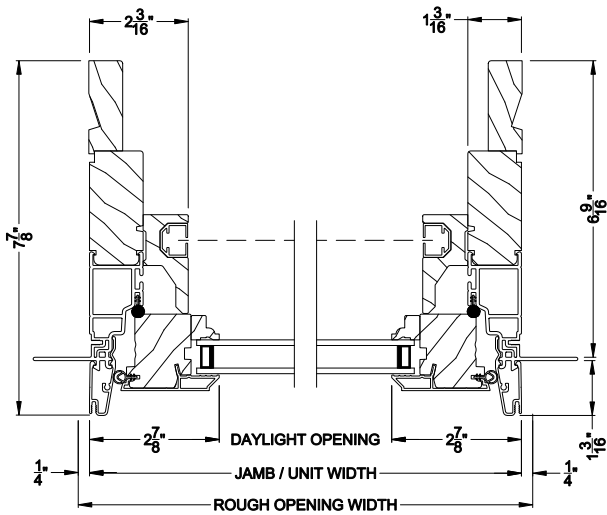
Shown with Optional Retractable Screen

**PREMIUM CASEMENT WINDOW (8211)**  
Vertical Section - 6-9/16" jamb



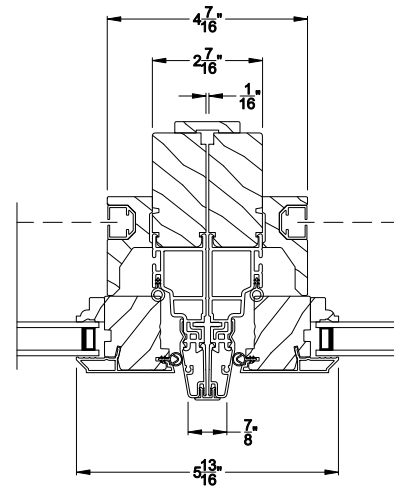
Shown with Optional Retractable Screen

**PREMIUM CASEMENT WINDOW**  
Horizontal Stack Section - Transom Stack over Casement



Shown with Optional Retractable Screen

**PREMIUM CASEMENT WINDOW (8211)**  
Horizontal Section - 6-9/16" jamb



Shown with Optional Retractable Screen

**PREMIUM CASEMENT WINDOW**  
Vertical Mull Section

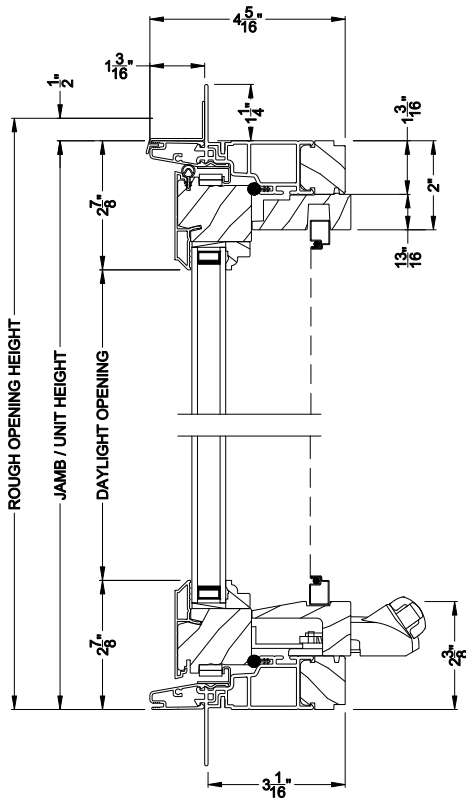
Note: All dimensions are approximate. Weather Shield reserves the right to change specifications without notice.

# Weather Shield®

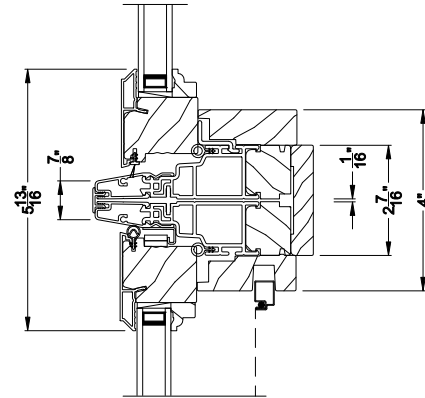
## Premium Series™

# Casement Windows

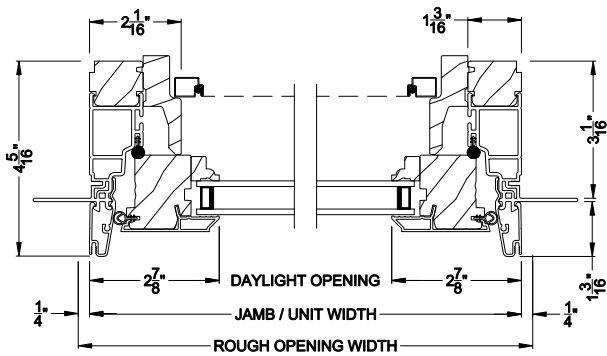
## CROSS SECTION DETAILS



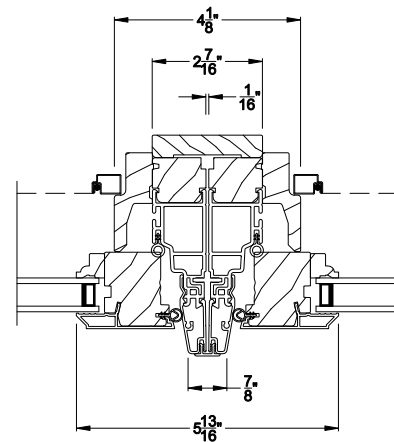
**PREMIUM CASEMENT WINDOW (8211)**  
Vertical Section - 3-1/16" jamb



**PREMIUM CASEMENT WINDOW**  
Horizontal Stack Section - Transom Stack over Casement



**PREMIUM CASEMENT WINDOW (8211)**  
Horizontal Section - 3-1/16" jamb



**PREMIUM CASEMENT WINDOW**  
Vertical Mull Section

Note: All dimensions are approximate. Weather Shield reserves the right to change specifications without notice.