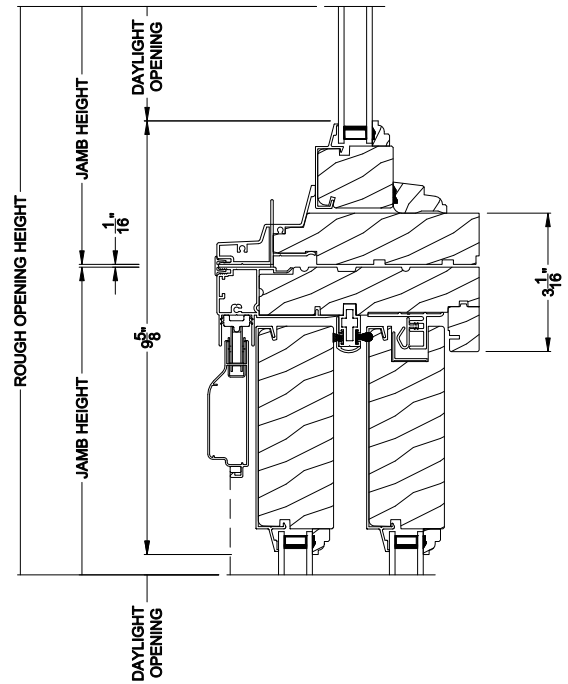
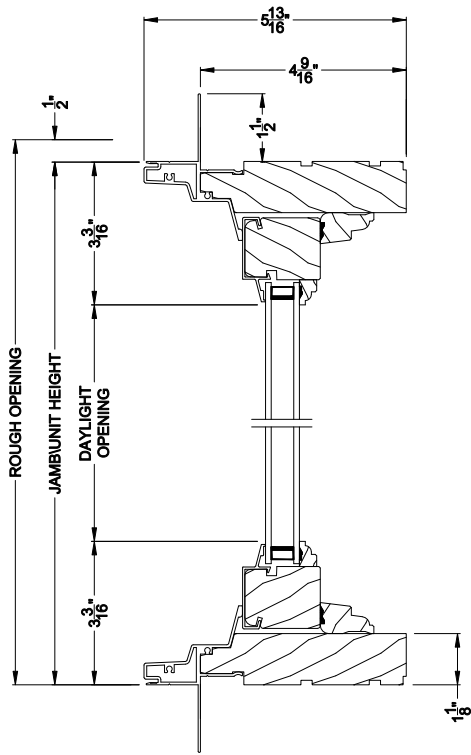


# Weather Shield®

## Premium Series™

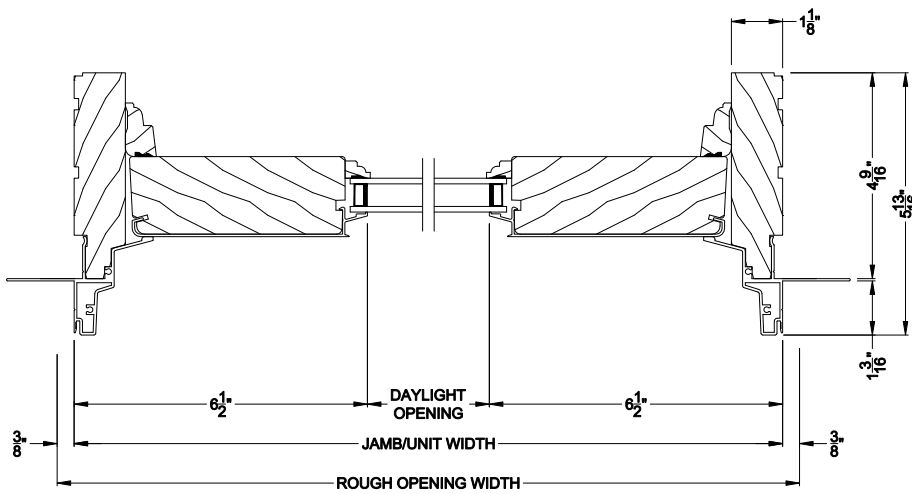
# French Sliding Door Transom

## CROSS SECTION DETAILS



**PREMIUM FRENCH SLIDING DOOR TRANSOM 1 PANEL (8300)**  
Horizontal Stack Section - Transom stack over French Sliding door

**PREMIUM FRENCH SLIDING DOOR TRANSOM 1 PANEL (8300)**  
Vertical Section



**PREMIUM FRENCH SLIDING DOOR TRANSOM 1 PANEL (8300)**  
Horizontal Section

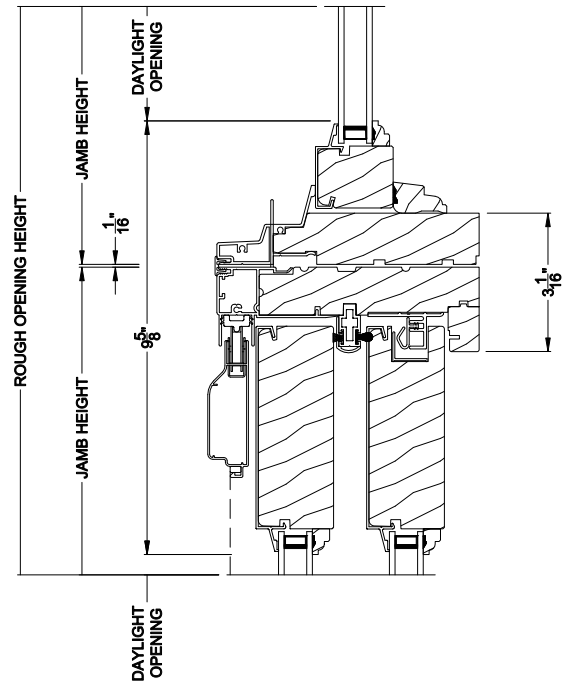
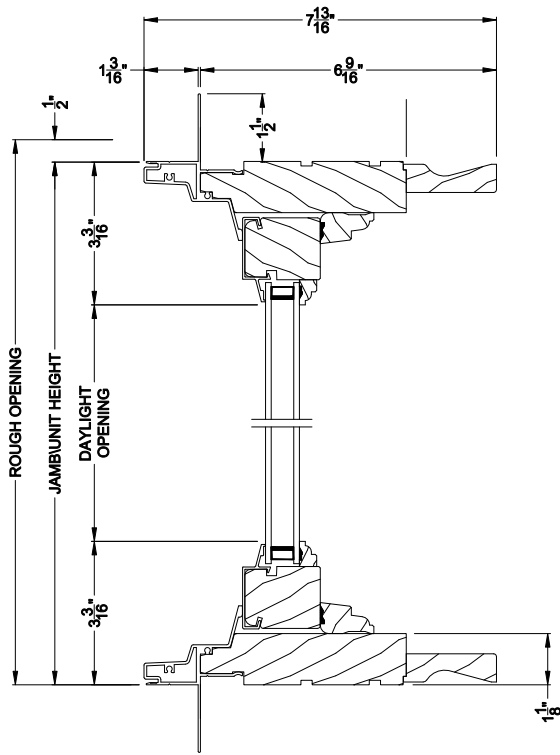
Note: All dimensions are approximate. Weather Shield reserves the right to change specifications without notice.

# Weather Shield®

## Premium Series™

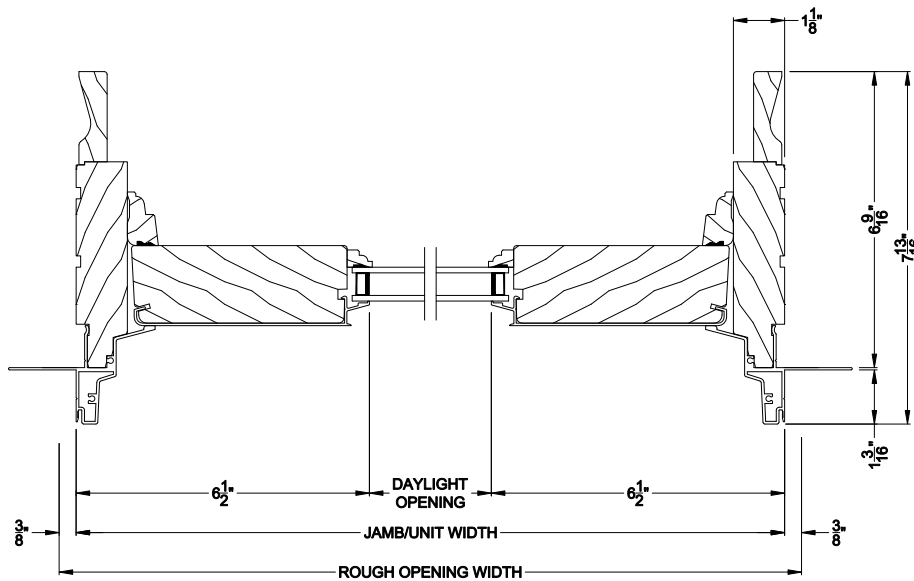
# French Sliding Door Transom

## CROSS SECTION DETAILS



**PREMIUM FRENCH SLIDING DOOR TRANSOM 1 PANEL (8300)**  
Horizontal Stack Section - Transom stack over French Sliding door

**PREMIUM FRENCH SLIDING DOOR TRANSOM 1 PANEL (8300)**  
Vertical Section - 6-9/16" Jamb



**PREMIUM FRENCH SLIDING DOOR TRANSOM 1 PANEL (8300)**  
Horizontal Section - 6-9/16" Jamb

Note: All dimensions are approximate. Weather Shield reserves the right to change specifications without notice.