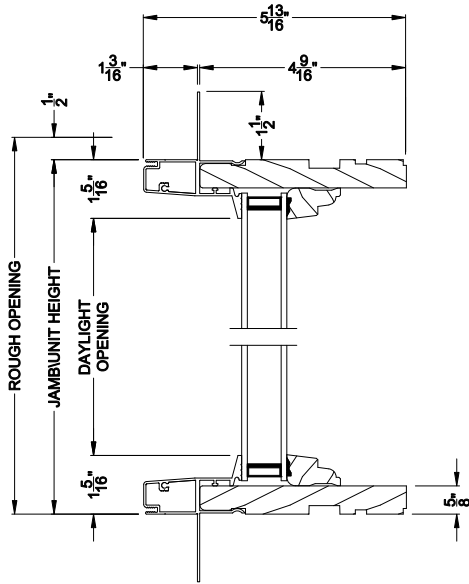


Weather Shield®

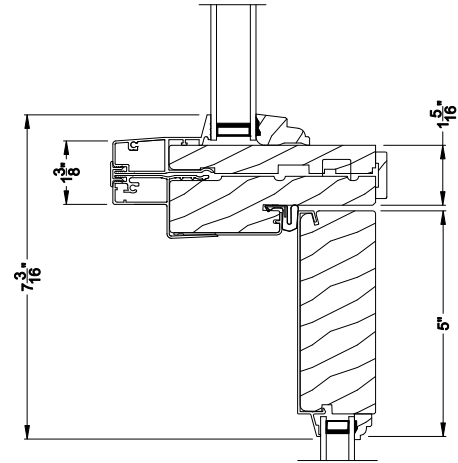
Premium Series™

Hinged Door Transom

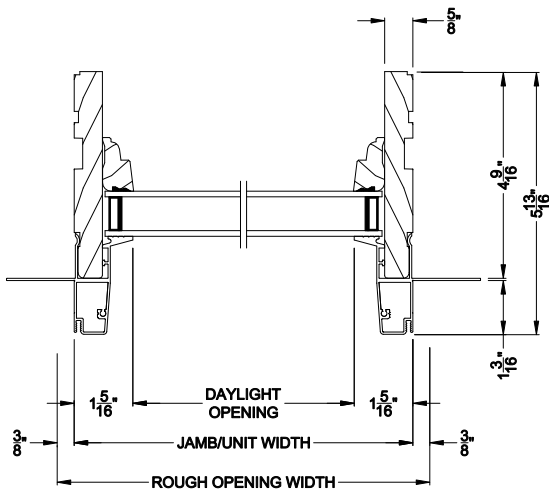
CROSS SECTION DETAILS



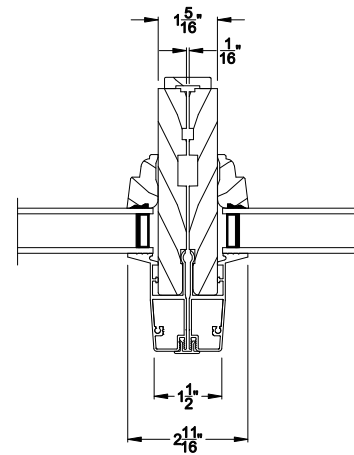
PREMIUM INSWING HINGED DOOR TRANSOM (830)
Vertical Section



PREMIUM INSWING HINGED DOOR TRANSOM (830)
Horizontal Stack Section



PREMIUM INSWING HINGED DOOR TRANSOM (830)
Horizontal Section



PREMIUM INSWING HINGED DOOR TRANSOM (830)
Vertical Mull Section

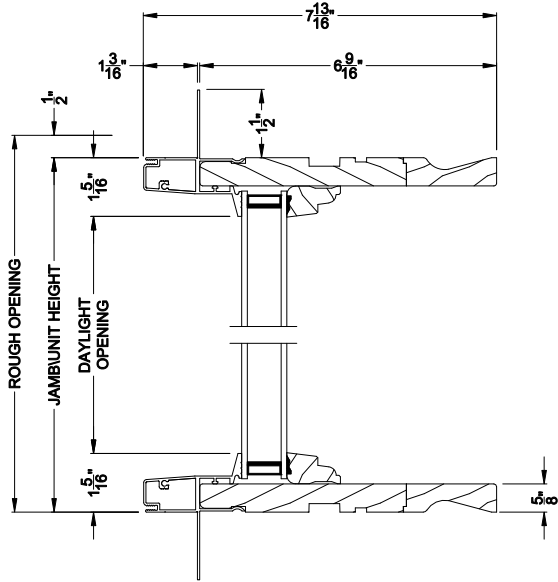
Note: All dimensions are approximate. Weather Shield reserves the right to change specifications without notice.

Weather Shield®

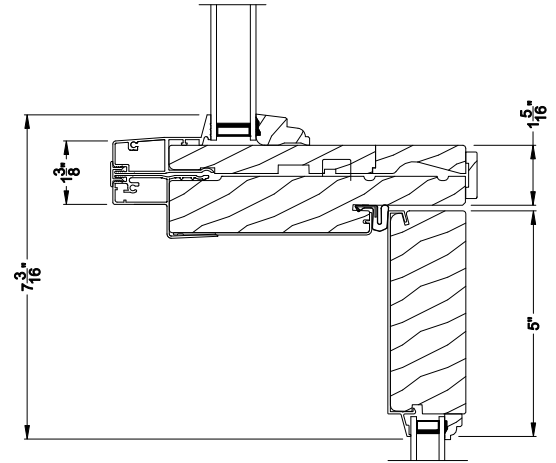
Premium Series™

Hinged Door Transom

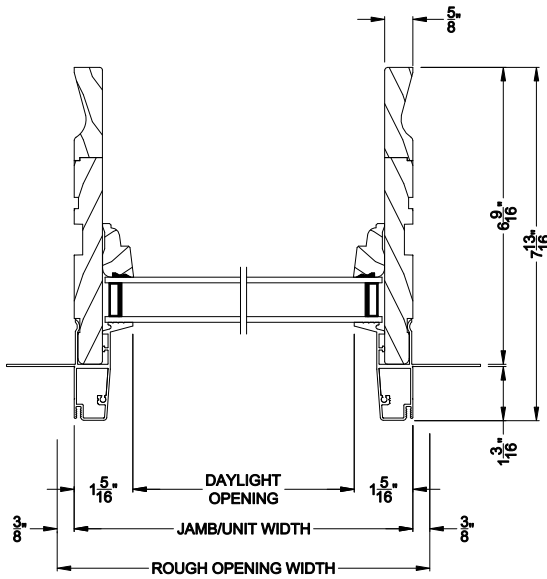
CROSS SECTION DETAILS



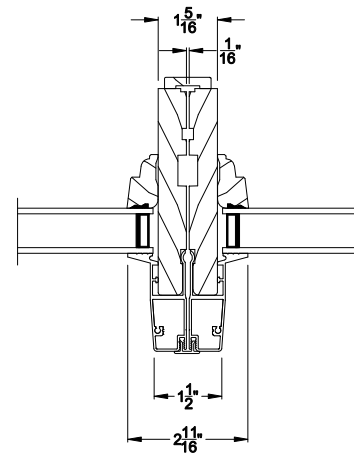
PREMIUM INSWING HINGED DOOR TRANSOM (830)
Vertical Section - 6-9/16" Jamb



PREMIUM INSWING HINGED DOOR TRANSOM (830)
Horizontal Stack Section



PREMIUM INSWING HINGED DOOR TRANSOM (830)
Horizontal Section - 6-9/16" Jamb



PREMIUM INSWING HINGED DOOR TRANSOM (830)
Vertical Mull Section

Note: All dimensions are approximate. Weather Shield reserves the right to change specifications without notice.