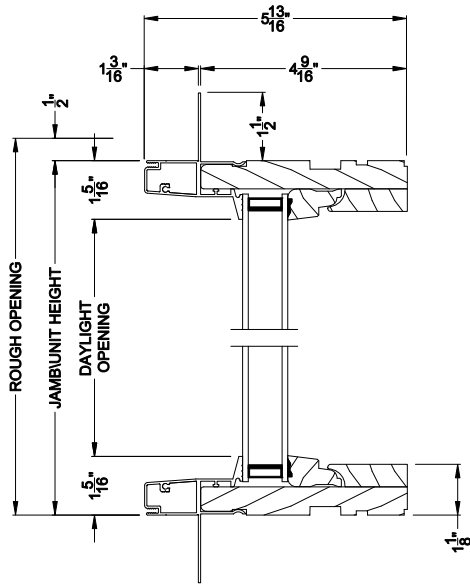


# Weather Shield®

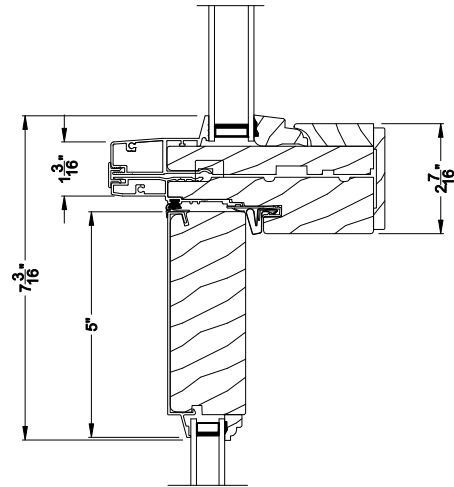
## Premium Series™

# Hinged Door Transom

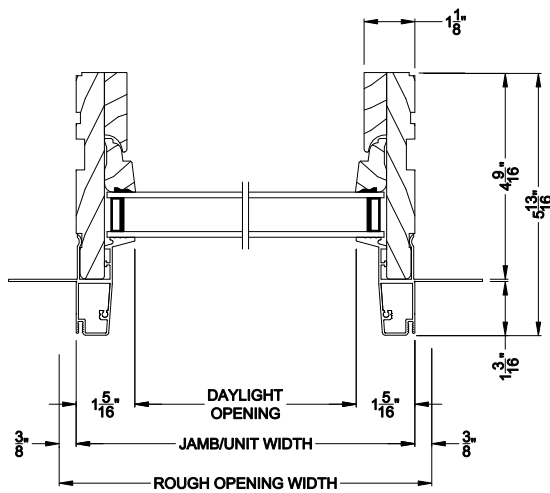
## CROSS SECTION DETAILS



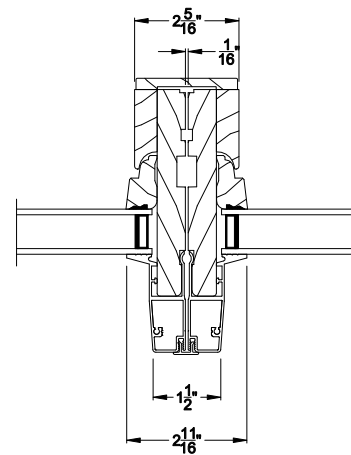
**PREMIUM OUTSWING HINGED DOOR TRANSOM (830)**  
Vertical Section



**PREMIUM OUTSWING HINGED DOOR TRANSOM (830)**  
Horizontal Stack Section



**PREMIUM OUTSWING HINGED DOOR TRANSOM (830)**  
Horizontal Section



**PREMIUM OUTSWING HINGED DOOR TRANSOM (830)**  
Vertical Mull Section

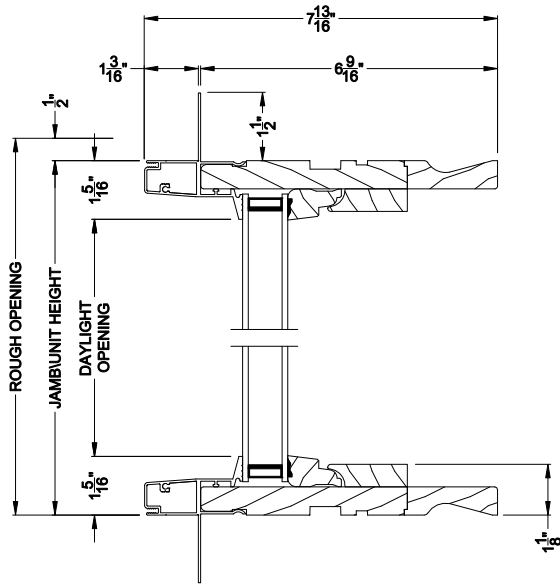
Note: All dimensions are approximate. Weather Shield reserves the right to change specifications without notice.

# Weather Shield®

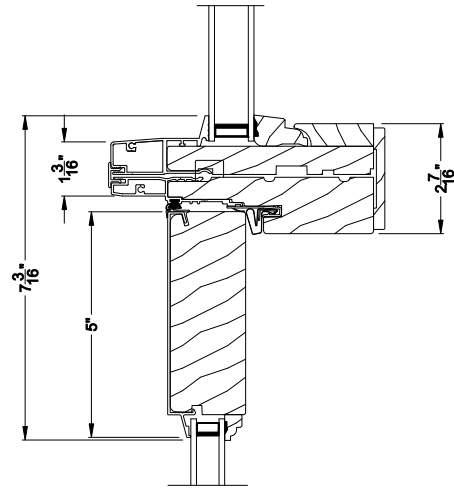
## Premium Series™

# Hinged Door Transom

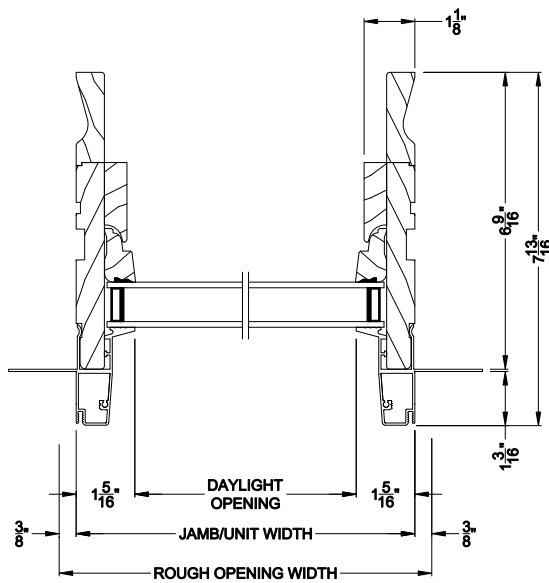
## CROSS SECTION DETAILS



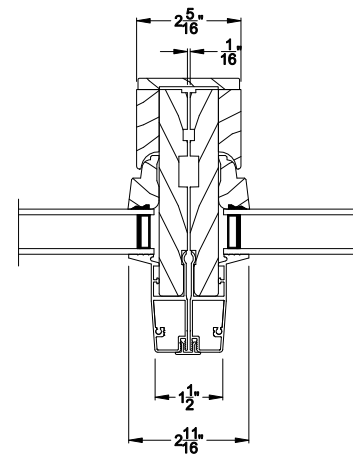
**PREMIUM OUTSWING HINGED DOOR TRANSOM (830)**  
Vertical Section - 6-9/16" Jamb



**PREMIUM OUTSWING HINGED DOOR TRANSOM (830)**  
Horizontal Stack Section



**PREMIUM OUTSWING HINGED DOOR TRANSOM (830)**  
Horizontal Section - 6-9/16" Jamb



**PREMIUM OUTSWING HINGED DOOR TRANSOM (830)**  
Vertical Mull Section

Note: All dimensions are approximate. Weather Shield reserves the right to change specifications without notice.