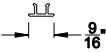
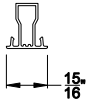
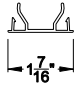
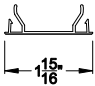
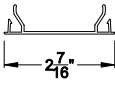
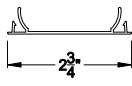
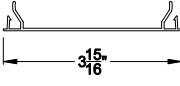
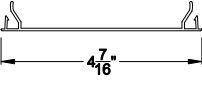
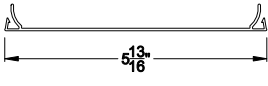
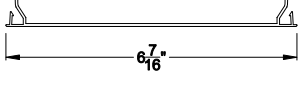
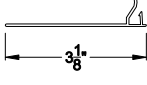
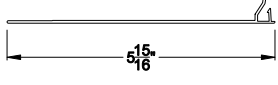
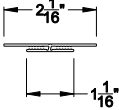
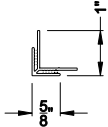
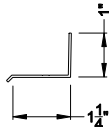
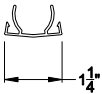
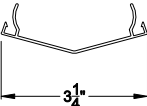
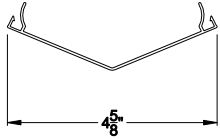
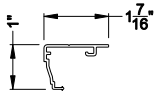
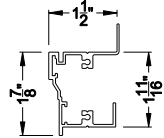
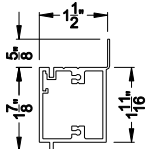
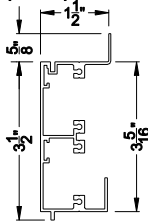
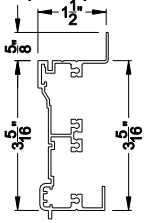
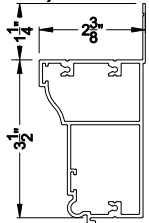
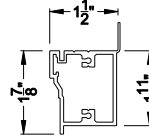
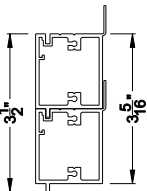
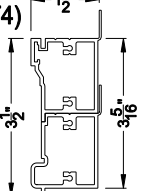
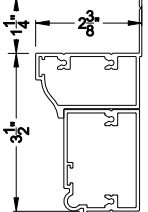
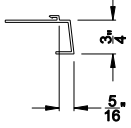
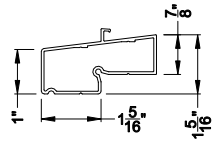
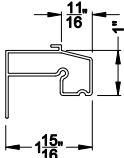
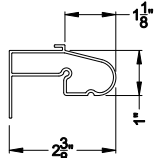
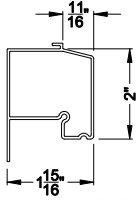
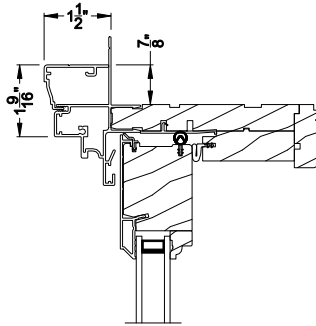


60-4196-01 (176") 	P0130000 (176") 	85-11070-01 (176") 
DIRECT MULL CLIP	1/2" MULL COVER	1" MULL COVER
04-2224-02 (176") 	04-2225-02 (176") 	60-5990 (176") 
1 1/2" MULL COVER	2" MULL COVER	2 1/4" MULL COVER
04-2226-02 (176") 	85-10571-01 (176") 	60-13020-01 (176") 
3 1/2" MULL COVER	4" MULL COVER	5 1/2" MULL COVER
85-10572-01 (176") 	04-2175-02 (176") 	04-2176-02 (176") 
6" MULL COVER	SHORT TRIM FLANGE	LONG TRIM FLANGE
04-2300-02 (174") 	04-2097-02 (174") 	04-2064-02 (176") 
MULL RECEPTOR	90° CORNER COVER	DRIP CAP
A1616 (174") 	A1615 (174") 	A1608 (174") 
10° BAY MULL COVER	30° BAY MULL COVER	45° BAY MULL COVER

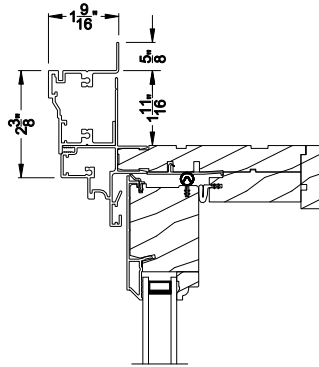
Note: All dimensions are approximate. Weather Shield reserves the right to change specifications without notice.

<p>04-2183-02 (176")</p>  <p><b>7/8" BRICKMOULD</b></p>	<p>04-A1549 (174")</p>  <p><b>1-11/16" BRICKMOULD</b></p>	<p>04-A8638 (228" T4)</p>  <p><b>1-11/16" FLAT CASING</b></p>
<p>04-A1545 (174")</p>  <p><b>3-5/16" FLAT CASING</b></p>	<p>04-2181-02 (228")</p>  <p><b>HISTORICAL BRICKMOULD</b></p>	<p>45-02285 (176")</p>  <p><b>3-1/2" Mid-Atlantic Casing</b></p>
<p>04-A8637 (228" T4)</p>  <p><b>Bendable Profile</b></p> <p><b>1-11/16" BRICKMOULD</b></p>	<p>04-A8638 x2 (228" T4)</p>  <p><b>2 Piece Bendable Profile</b></p> <p><b>FLAT CASING</b></p>	<p>04-A8637 (228" T4) 04-2182-02 (228" T4)</p>  <p><b>2 Piece Bendable Profile</b></p> <p><b>HISTORICAL BRICKMOULD</b></p>
<p>45-02313 (288") 45-02317 (174")</p>  <p><b>Mid-Atlantic Casing (Bendable)</b></p>	<p>04-A1552 (176")</p>  <p><b>3/4" SILL NOSING</b></p>	<p>45-02287 (176")</p>  <p><b>*Mid Atlantic Casing uses this sill nose only</b></p> <p><b>1-5/16" Projected Sill Nosing</b></p>
<p>60-9561 (176")</p>  <p><b>End Caps Available</b></p> <p><b>#9561 1" BULL NOSE</b></p>	<p>60-9601 (176")</p>  <p><b>End Caps Available</b></p> <p><b>1" FULL ROUND BULL NOSE</b></p>	<p>60-9962 (176")</p>  <p><b>End Caps Available</b></p> <p><b>#9962 2" BULL NOSE</b></p>

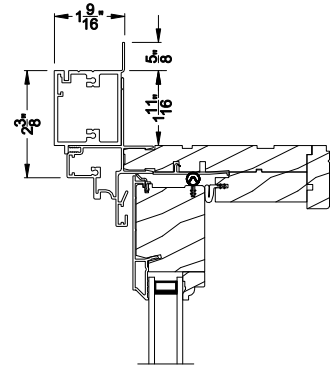
Note: All dimensions are approximate. Weather Shield reserves the right to change specifications without notice.



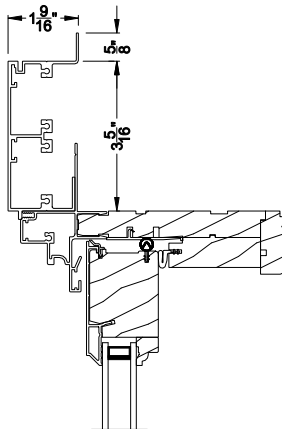
**7/8" BRICKMOULD**  
Head Section Detail



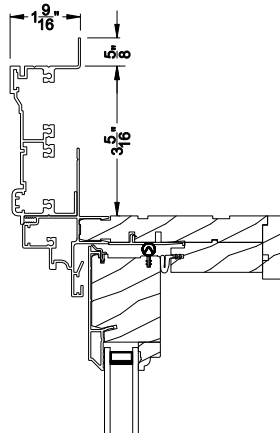
**1 11/16" BRICKMOULD**  
Head Section Detail



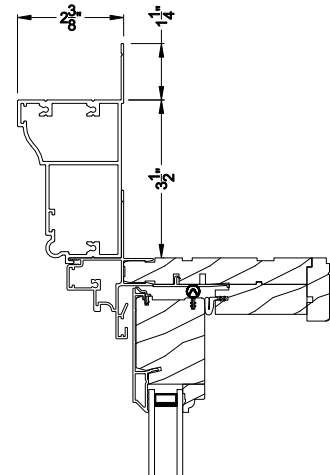
**1 11/16" FLAT CASING**  
Head Section Detail



**3 5/16" FLAT CASING**  
Head Section Detail

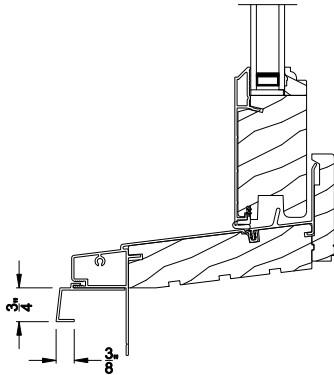


**3 5/16" HISTORICAL BRICKMOULD**  
Head Section Detail

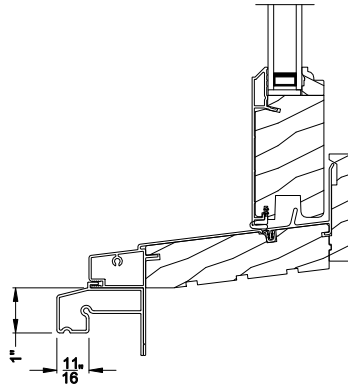


**Mid Atlantic Casing**  
Head Section Detail

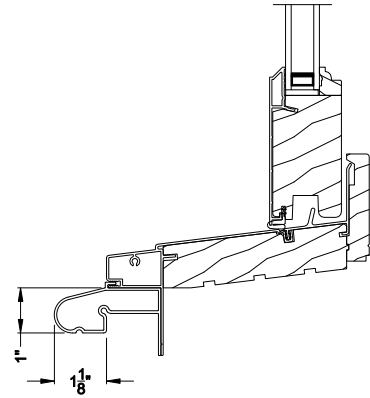
Note: All dimensions are approximate. Weather Shield reserves the right to change specifications without notice.



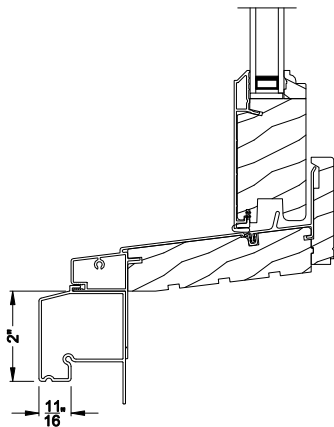
**3/4" BULL NOSE**  
Sill Section Detail



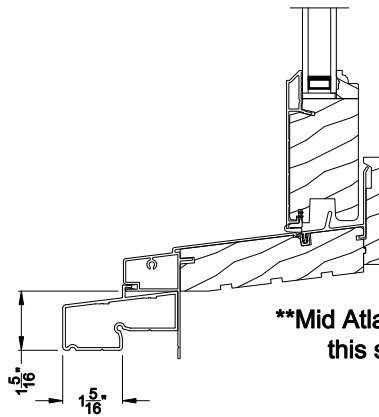
**1" BULL NOSE\***  
Sill Section Detail



**1" FULL ROUND BULL NOSE\***  
Sill Section Detail



**2" BULL NOSE\***  
Sill Section Detail



**1 5/16" PROJECTED SILL NOSE\***  
Sill Section Detail

**\*\*Mid Atlantic Casing uses  
this sill nose only**

\* Available with color matched end caps.

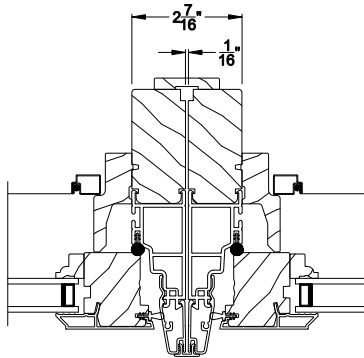
Note: All dimensions are approximate. Weather Shield reserves the right to change specifications without notice.

# Weather Shield®

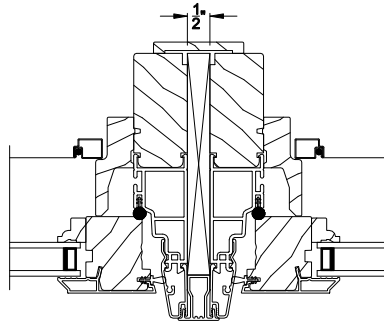
## Premium Series™

# Clad Trim Applications

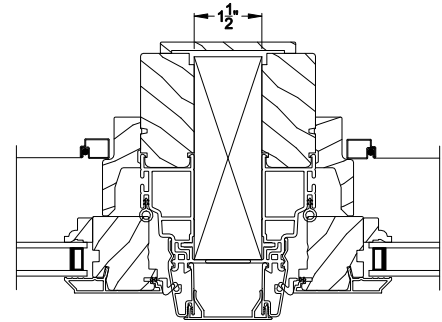
## CROSS SECTION DETAILS



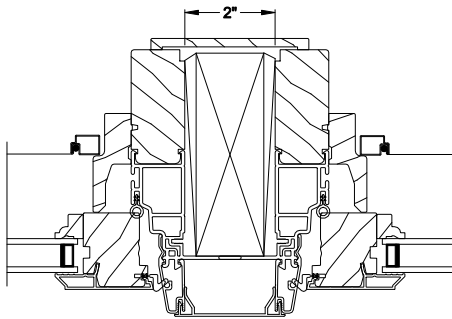
**TIGHT MULL**  
Jamb Section Detail



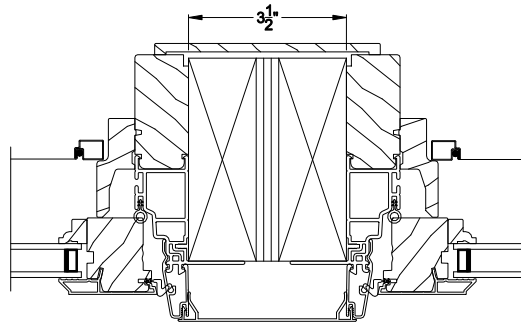
**1/2" SPREAD MULL**  
Jamb Section Detail



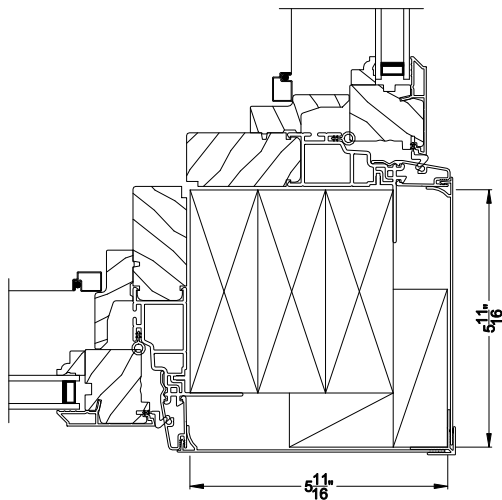
**1 1/2" SPREAD MULL**  
Jamb Section Detail



**2" SPREAD MULL**  
Jamb Section Detail



**3 1/2" SPREAD MULL**  
Jamb Section Detail



**90 DEGREE CORNER MULL**  
Jamb Section Detail

NOTE: Drawings show typical filed mull applications.  
Factory mullered units may vary.

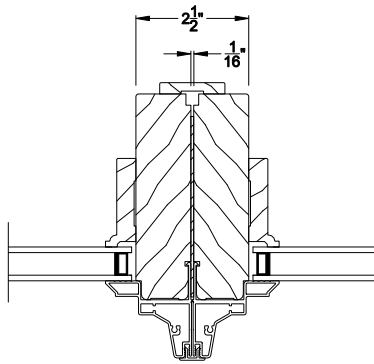
Note: All dimensions are approximate. Weather Shield reserves the right to change specifications without notice.

# Weather Shield®

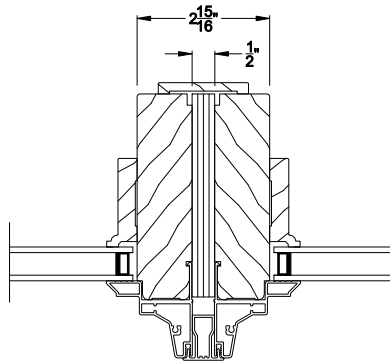
## Premium Series™

# Clad Trim Applications

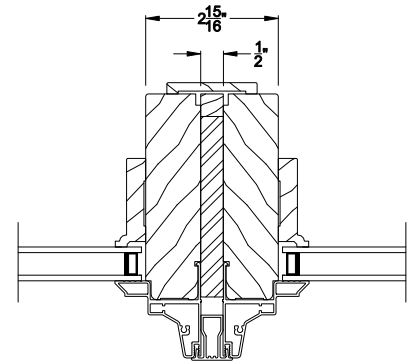
## CROSS SECTION DETAILS



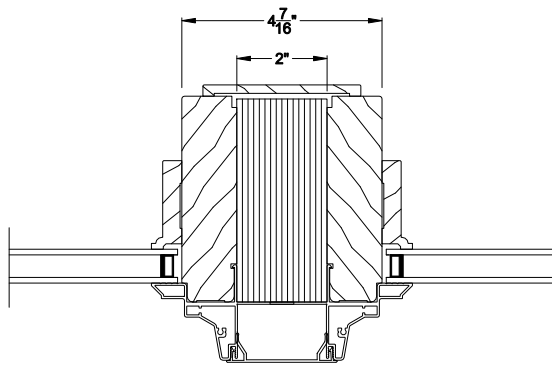
**1/16"x4" STEEL REINFORCEMENT**  
Jamb Section Detail



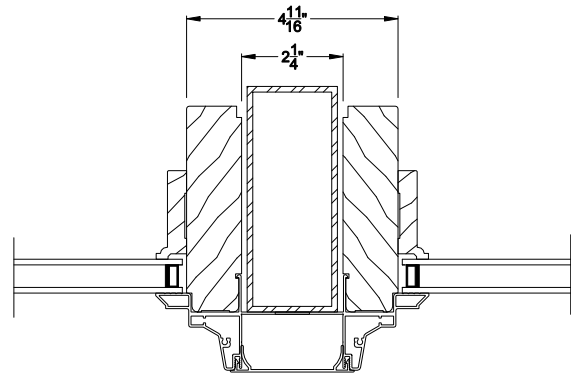
**1/2" LVL REINFORCEMENT**  
Jamb Section Detail



**1/2"x4" STEEL OR ALUMINUM REINFORCEMENT**  
Jamb Section Detail



**2" LVL REINFORCEMENT**  
Jamb Section Detail



**2"x5"x1/8" ALUMINUM TUBE REINFORCEMENT**  
Jamb Section Detail  
(Field Mull Only)

Note: All dimensions are approximate. Weather Shield reserves the right to change specifications without notice.