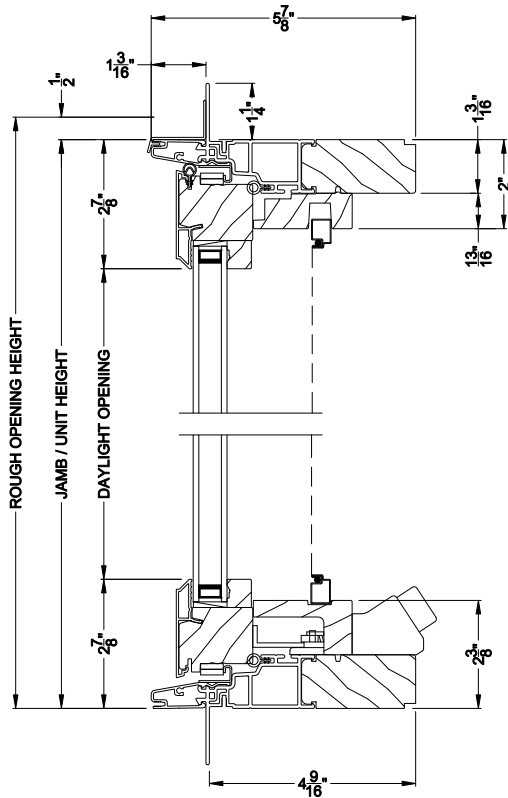


# Weather Shield®

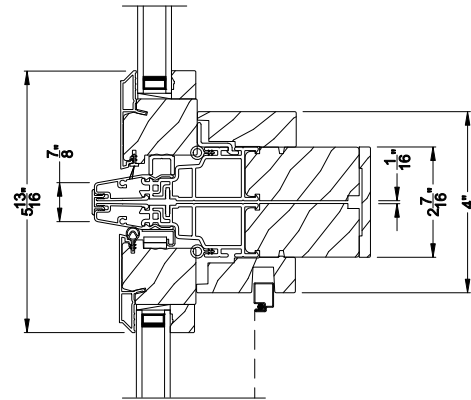
## Contemporary Collection™

# Casement Windows

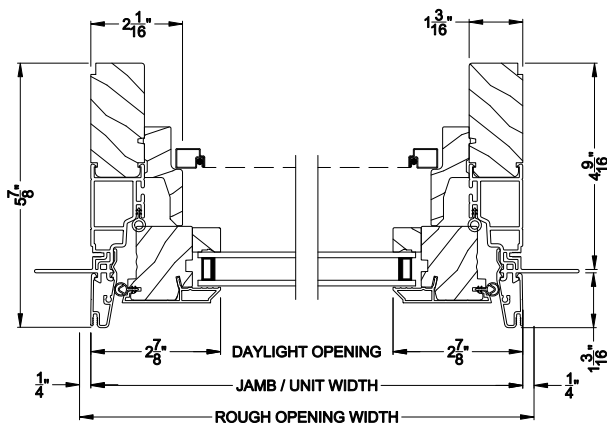
## CROSS SECTION DETAILS



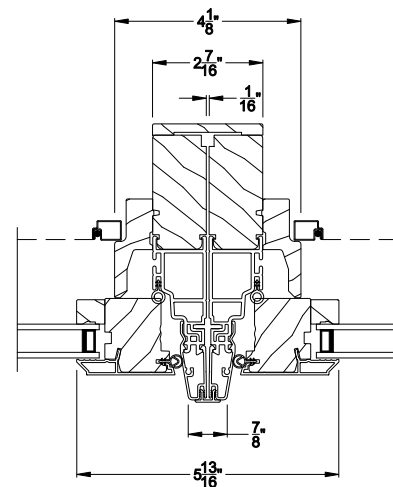
**CONTEMPORARY CASEMENT WINDOW (8211)**  
Vertical Section - Shadow-Line Frame



**CONTEMPORARY CASEMENT WINDOW**  
Horizontal Stack Section - Transom Stack over Casement



**CONTEMPORARY CASEMENT WINDOW (8211)**  
Horizontal Section - Shadow-Line Frame



**CONTEMPORARY CASEMENT WINDOW**  
Vertical Mull Section

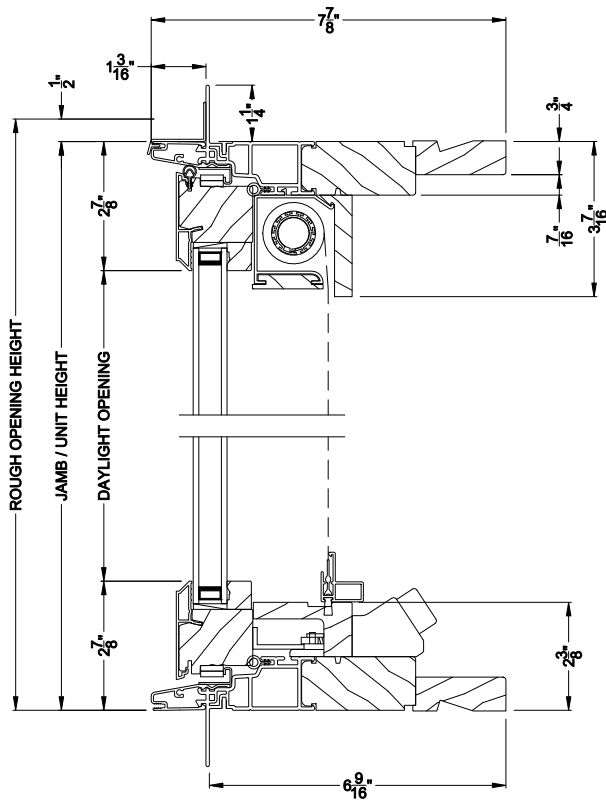
Note: All dimensions are approximate. Weather Shield reserves the right to change specifications without notice.

# Weather Shield®

## Contemporary Collection™

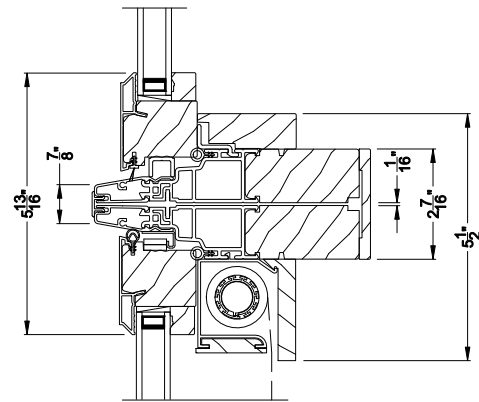
# Casement Windows

## CROSS SECTION DETAILS



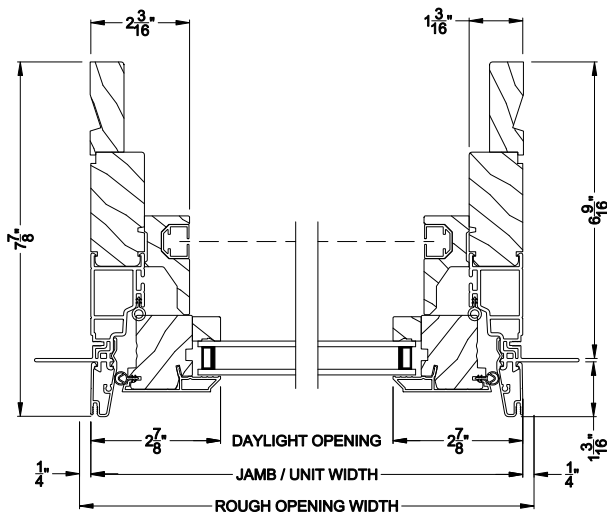
Shown with Optional Retractable Screen

**CONTEMPORARY CASEMENT WINDOW (8211)**  
Vertical Section - Shadow-Line Frame - 6-9/16" jamb



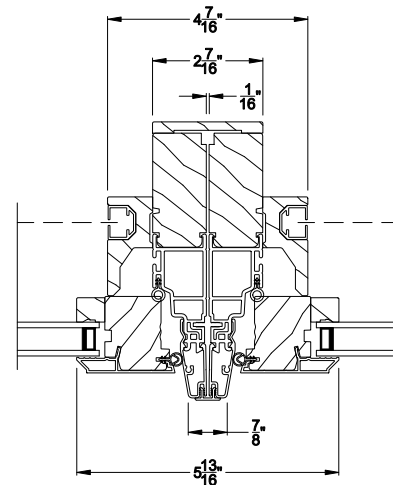
Shown with Optional Retractable Screen

**CONTEMPORARY CASEMENT WINDOW**  
Horizontal Stack Section - Transom Stack over Casement



Shown with Optional Retractable Screen

**CONTEMPORARY CASEMENT WINDOW (8211)**  
Horizontal Section - Shadow-Line Frame - 6-9/16" jamb



Shown with Optional Retractable Screen

**CONTEMPORARY CASEMENT WINDOW**  
Vertical Mull Section

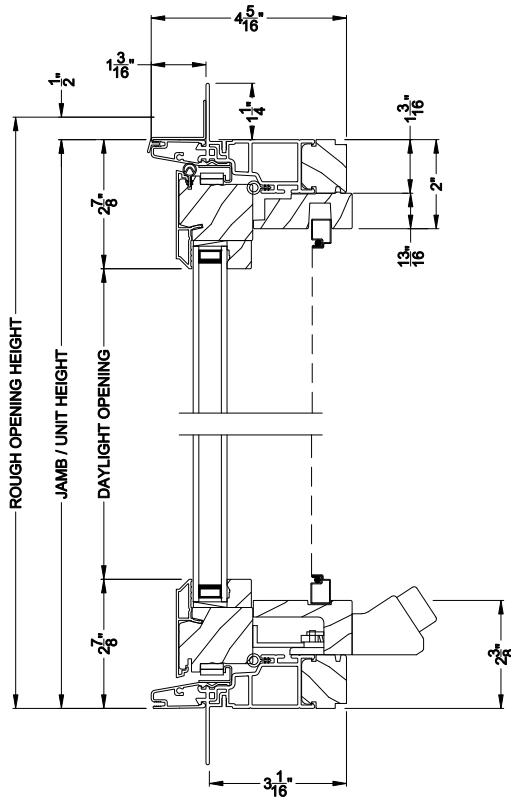
Note: All dimensions are approximate. Weather Shield reserves the right to change specifications without notice.

# Weather Shield®

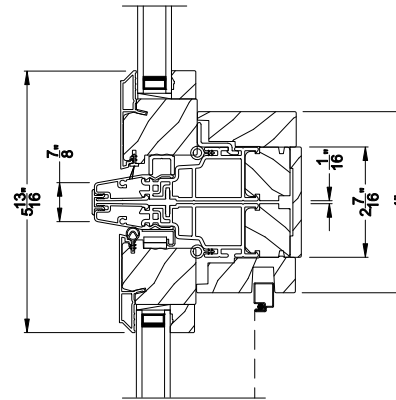
## Contemporary Collection™

# Casement Windows

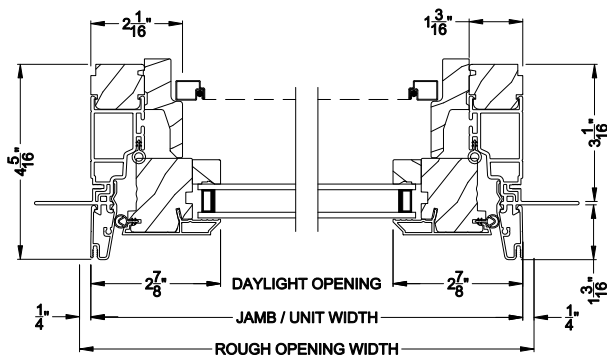
## CROSS SECTION DETAILS



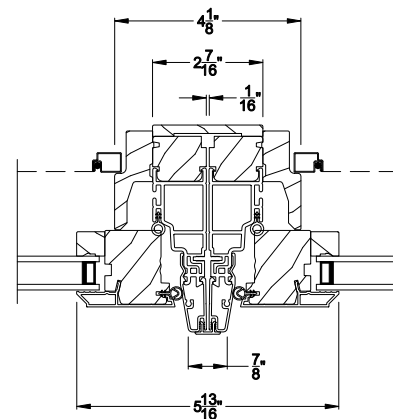
**CONTEMPORARY CASEMENT WINDOW (8211)**  
Vertical Section - Shadow-Line Frame - 3-1/16" jamb



**CONTEMPORARY CASEMENT WINDOW**  
Horizontal Stack Section - Transom Stack over Casement



**CONTEMPORARY CASEMENT WINDOW (8211)**  
Horizontal Section - Shadow-Line Frame - 3-1/16" jamb



**CONTEMPORARY CASEMENT WINDOW**  
Vertical Mull Section

Note: All dimensions are approximate. Weather Shield reserves the right to change specifications without notice.