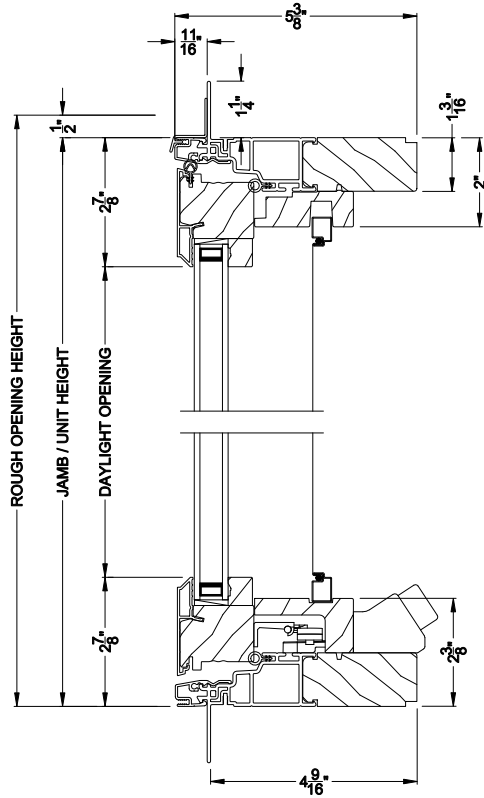


# Weather Shield®

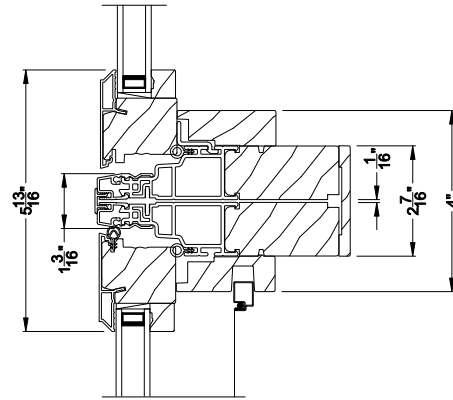
## Contemporary Collection™

# Awning Windows

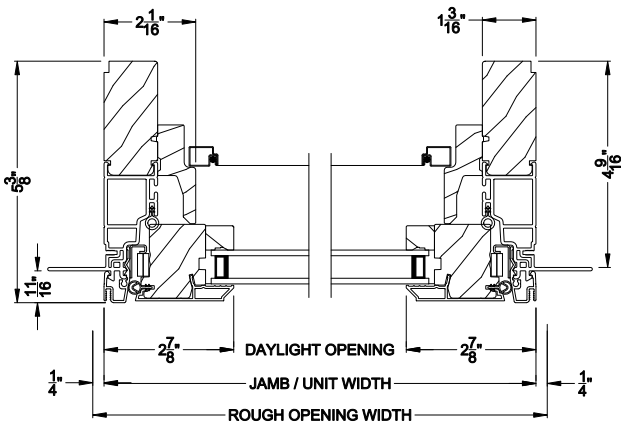
## CROSS SECTION DETAILS



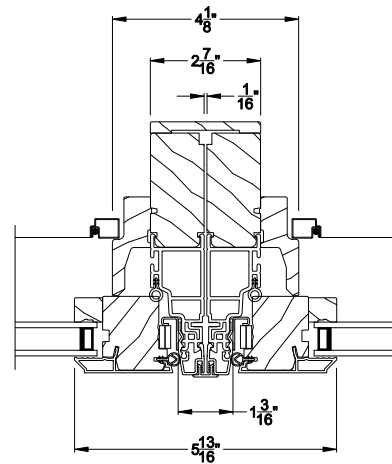
**CONTEMPORARY AWNING WINDOW (8216)**  
Vertical Section - Flush Frame



**CONTEMPORARY AWNING WINDOW**  
Vertical Section - Transom Stack over Awning



**CONTEMPORARY AWNING WINDOW (8216)**  
Horizontal Section - Flush Frame



**CONTEMPORARY AWNING WINDOW**  
Horizontal Mull Section

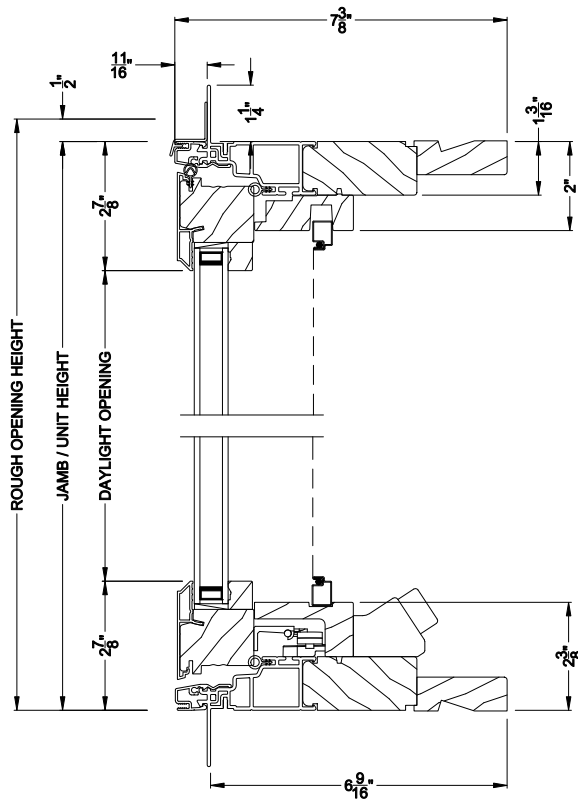
Note: All dimensions are approximate. Weather Shield reserves the right to change specifications without notice.

# Weather Shield®

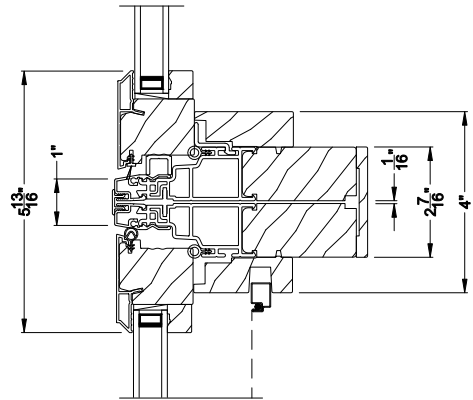
## Contemporary Collection™

# Awning Windows

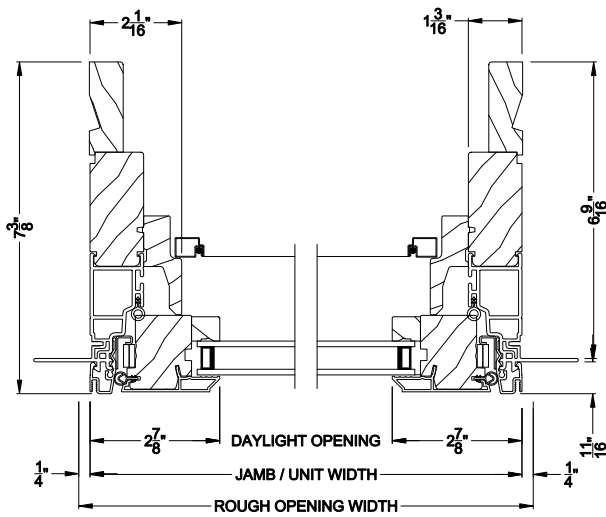
## CROSS SECTION DETAILS



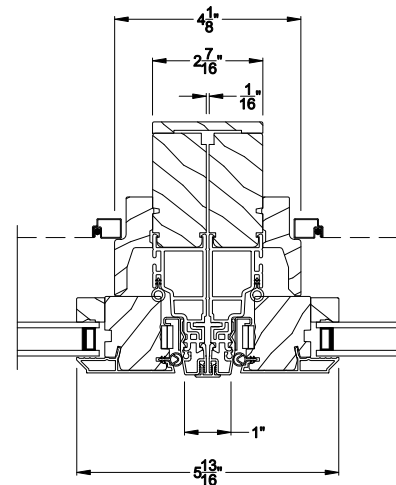
**CONTEMPORARY AWNING WINDOW (8211)**  
Vertical Section - Flush Frame - 6-9/16" jamb



**CONTEMPORARY AWNING WINDOW**  
Vertical Section - Transom Stack over Awning



**CONTEMPORARY AWNING WINDOW (8211)**  
Horizontal Section - Flush Frame - 6-9/16" jamb



**CONTEMPORARY AWNING WINDOW**  
Horizontal Mull Section

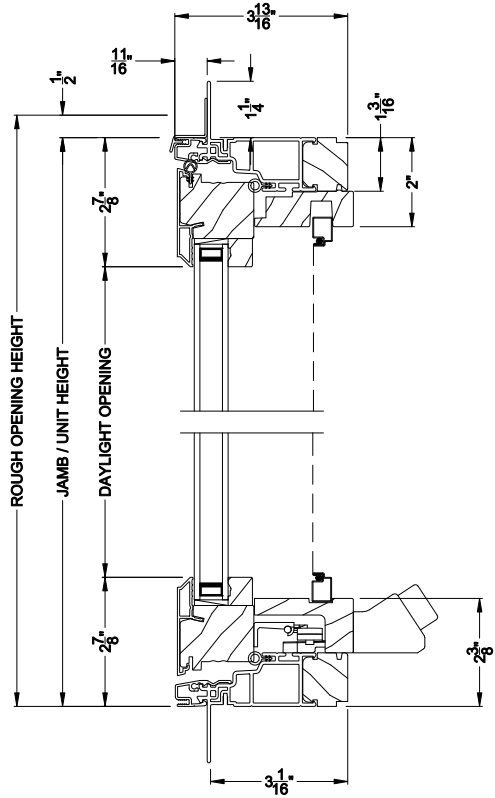
Note: All dimensions are approximate. Weather Shield reserves the right to change specifications without notice.

# Weather Shield®

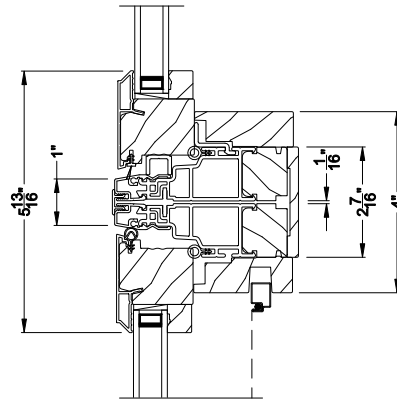
## Contemporary Collection™

# Awning Windows

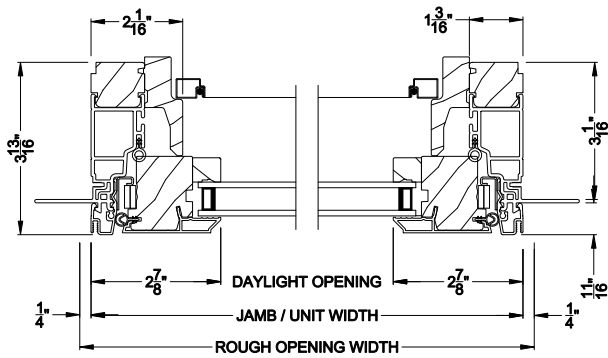
## CROSS SECTION DETAILS



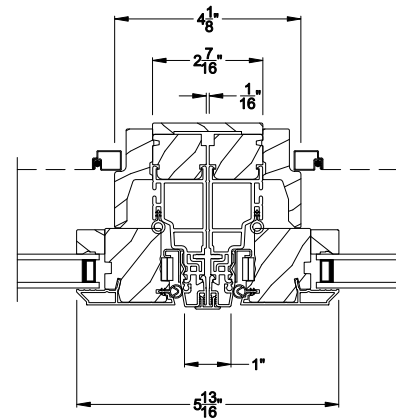
**CONTEMPORARY AWNING WINDOW (8211)**  
Vertical Section - Flush Frame - 3-1/16" jamb



**CONTEMPORARY AWNING WINDOW**  
Vertical Section - Transom Stack over Awning



**CONTEMPORARY AWNING WINDOW (8211)**  
Horizontal Section - Flush Frame - 3-1/16" jamb



**CONTEMPORARY AWNING WINDOW**  
Horizontal Mull Section

Note: All dimensions are approximate. Weather Shield reserves the right to change specifications without notice.