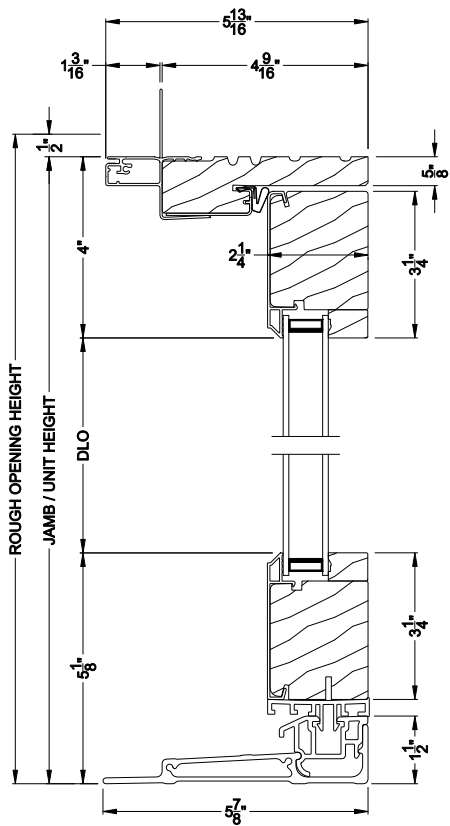


Weather Shield®

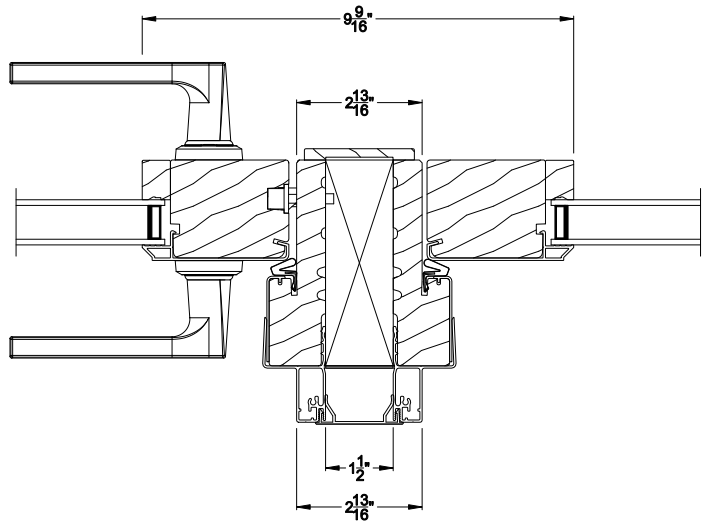
Contemporary Collection™

Hinged Patio Doors

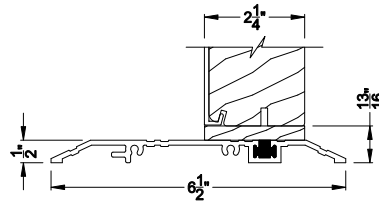
CROSS SECTION DETAILS



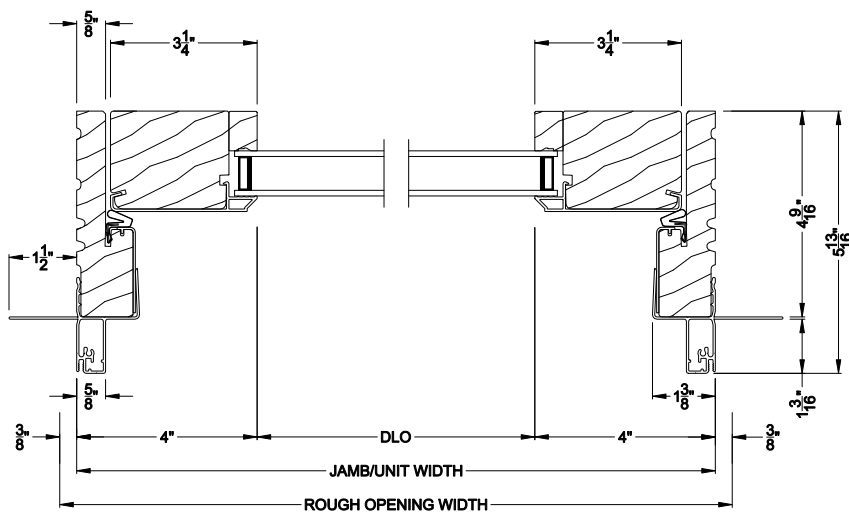
CONTEMPORARY INSWING DOOR (8517)
Vertical Section - Stationary



CONTEMPORARY INSWING DOOR (8517)
Vertical Mull Section - Oper / Stat



CONTEMPORARY INSWING DOOR (8517)
Vertical Section - ADA Sill

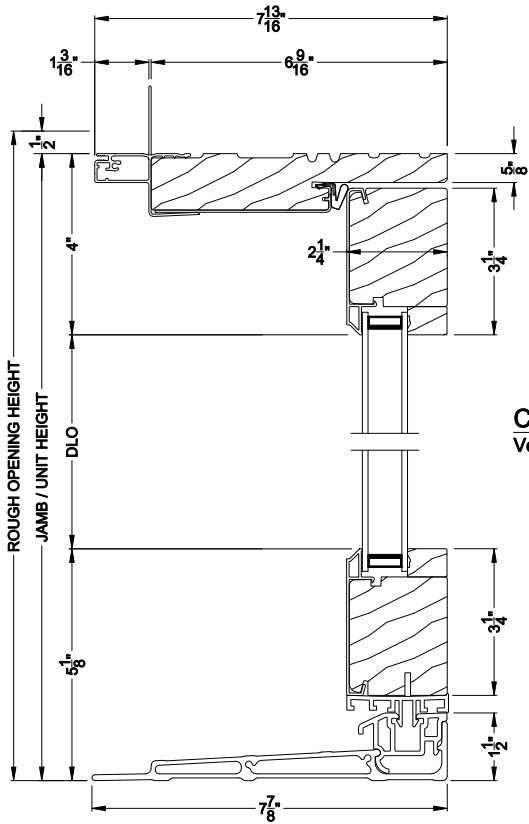


CONTEMPORARY INSWING DOOR (8517)
Horizontal Section - Stationary

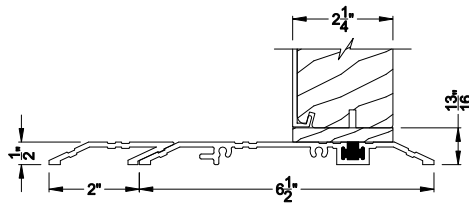
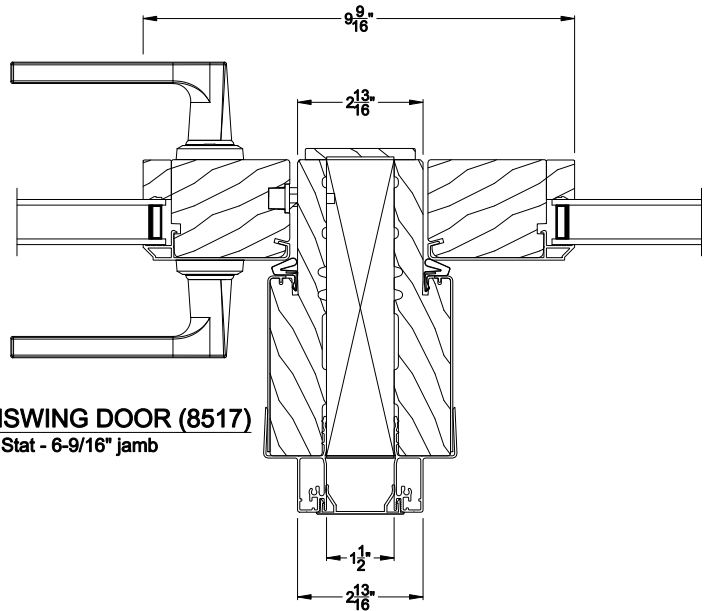
Note: All dimensions are approximate. Weather Shield reserves the right to change specifications without notice.

Weather Shield® Contemporary Collection™

Hinged Patio Doors CROSS SECTION DETAILS

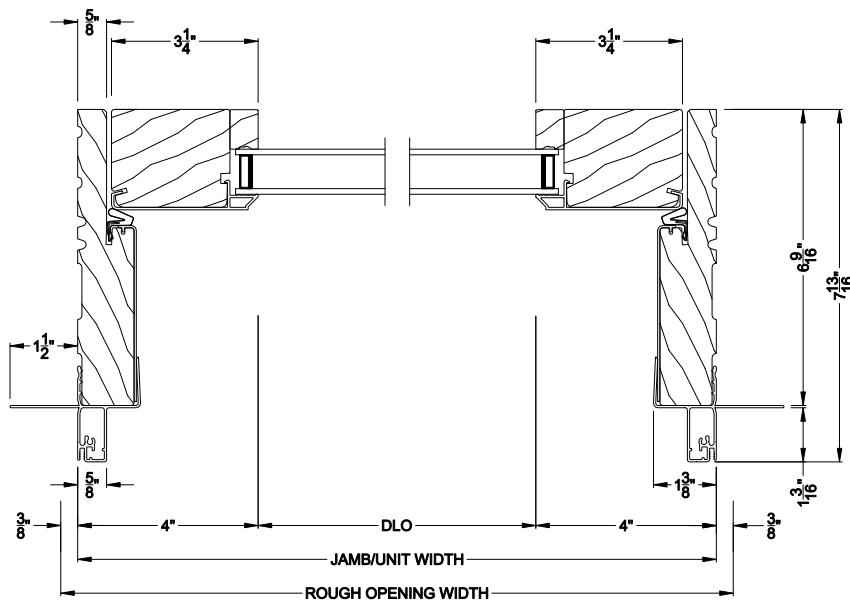


CONTEMPORARY INSWING DOOR (8517)
Vertical Mull Section - Oper / Stat - 6-9/16" jamb



CONTEMPORARY INSWING DOOR (8517)
Vertical Section - Stationary - 6-9/16" jamb

CONTEMPORARY INSWING DOOR (8517)
Vertical Section - ADA Sill - 6-9/16" jamb



CONTEMPORARY INSWING DOOR (8517)
Horizontal Section - Stationary - 6-9/16" jamb

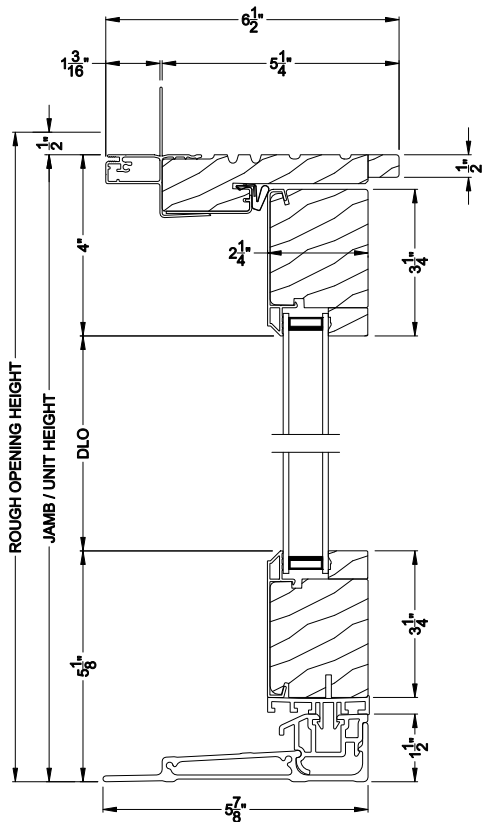
Note: All dimensions are approximate. Weather Shield reserves the right to change specifications without notice.

Weather Shield®

Contemporary Collection™

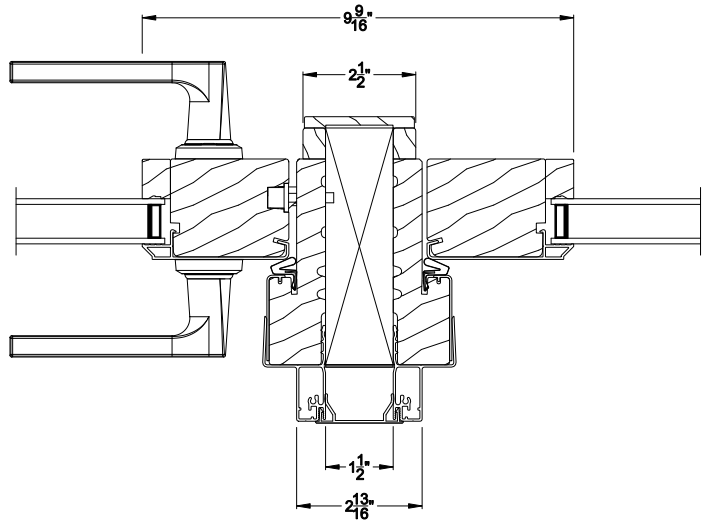
Hinged Patio Doors

CROSS SECTION DETAILS

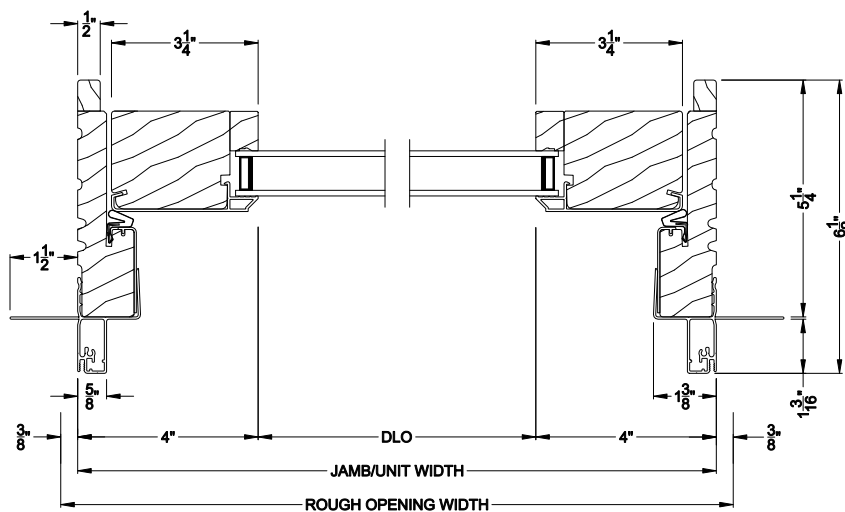


CONTEMPORARY INSWING DOOR (8517)
Vertical Section - Stationary - Jamb extended

Jamb extensions will be applied to all jams except 4-9/16" and 6-9/16" up to the maximum 7-1/4" jamb.



CONTEMPORARY INSWING DOOR (8517)
Vertical Mull Section - Oper / Stat



CONTEMPORARY INSWING DOOR (8517)
Horizontal Section - Stationary - Jamb extended

Note: All dimensions are approximate. Weather Shield reserves the right to change specifications without notice.