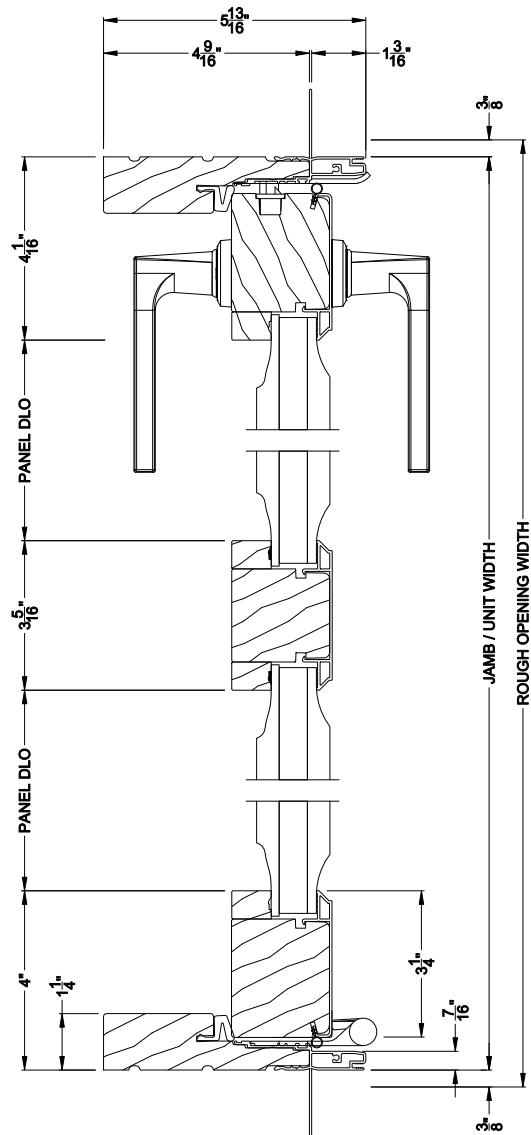
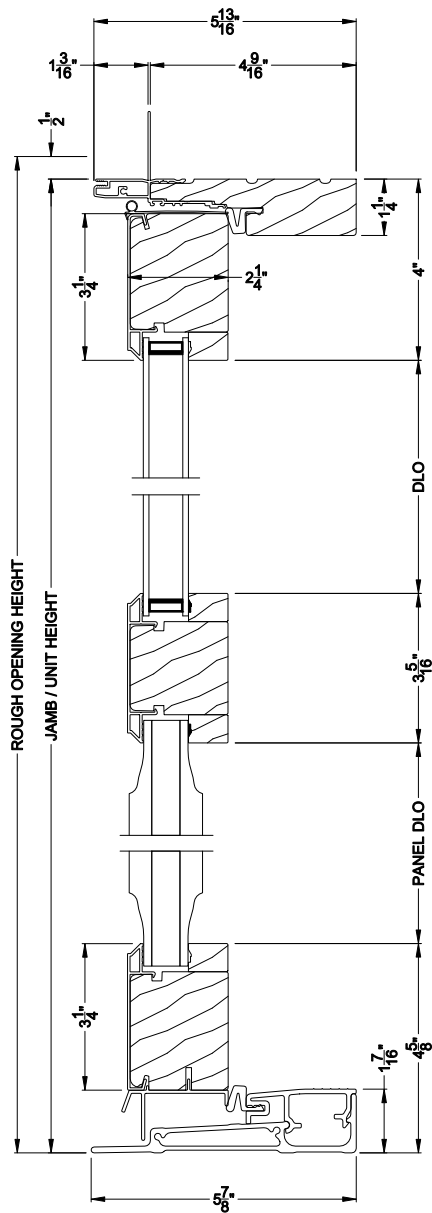


**CONTEMPORARY OUTSWING DOOR (8617)**  
Vertical Section - Aluminum exterior raised panel

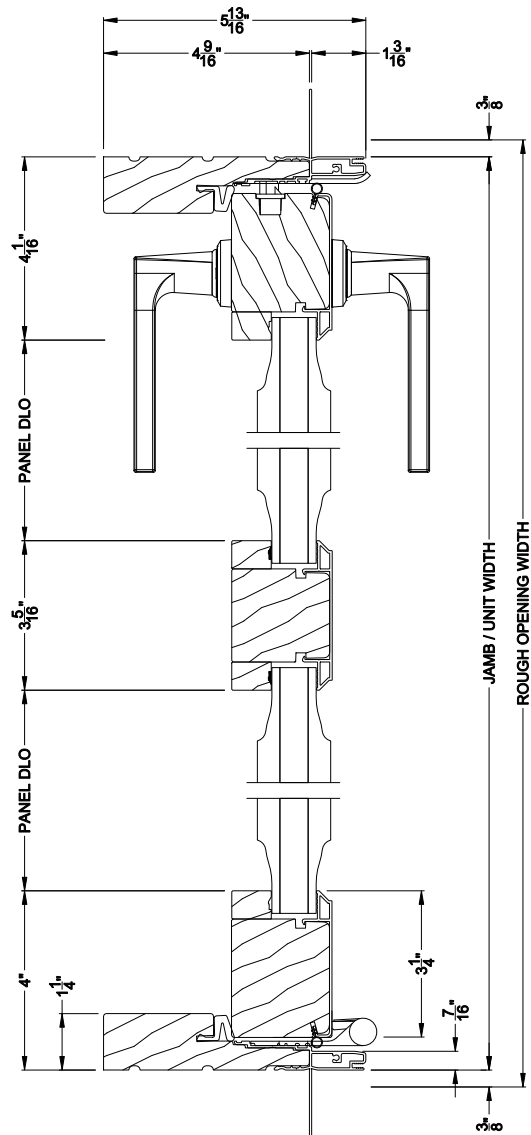


**CONTEMPORARY OUTSWING DOOR (8617)**  
Horizontal Section - Vertical center rail

Note: All dimensions are approximate. Weather Shield reserves the right to change specifications without notice.

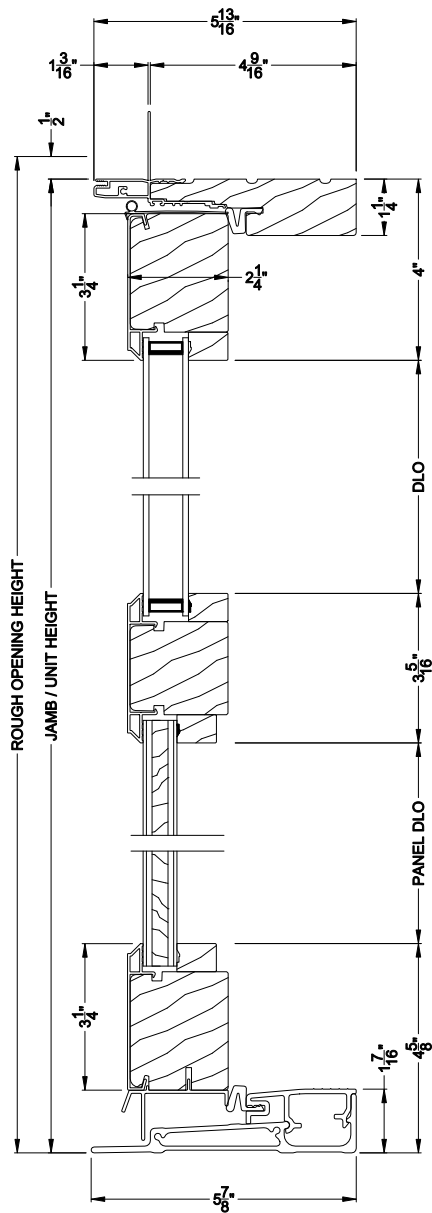


**CONTEMPORARY OUTSWING DOOR (8617)**  
Vertical Section - Poly exterior raised panel

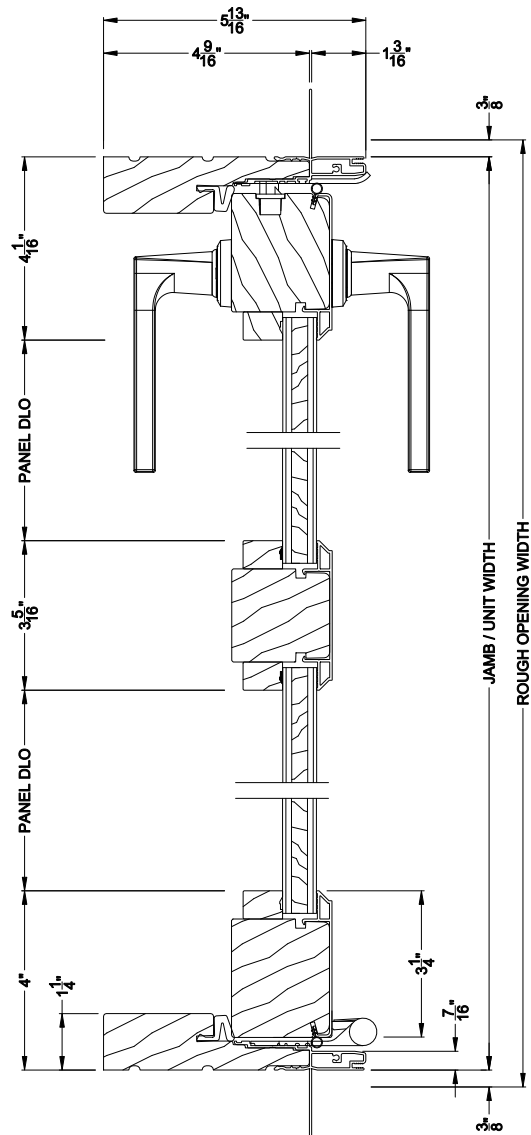


**CONTEMPORARY OUTSWING DOOR (8617)**  
Horizontal Section - Vertical center rail

Note: All dimensions are approximate. Weather Shield reserves the right to change specifications without notice.



**CONTEMPORARY OUTSWING DOOR (8617)**  
Vertical Section - Poly exterior signboard panel



**CONTEMPORARY OUTSWING DOOR (8617)**  
Horizontal Section - Vertical center rail

Note: All dimensions are approximate. Weather Shield reserves the right to change specifications without notice.