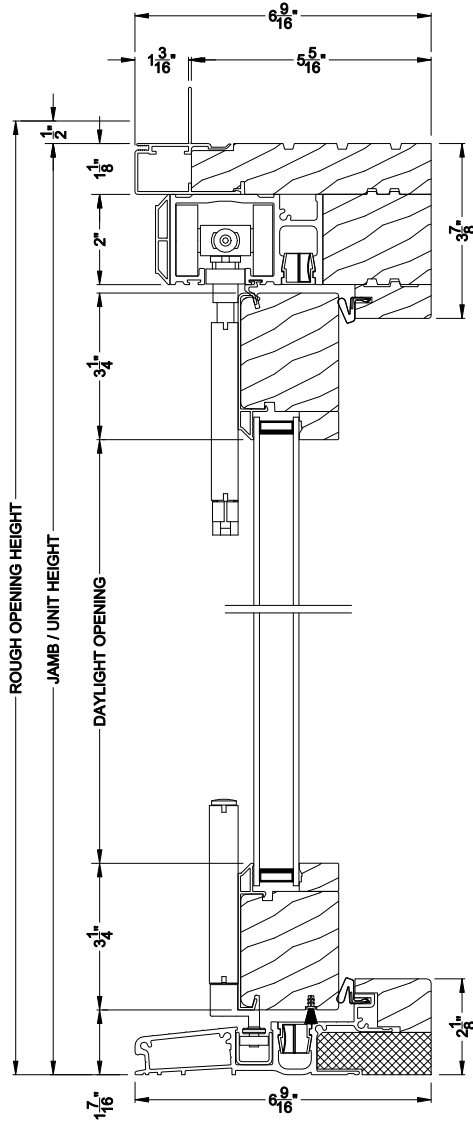


Weather Shield®

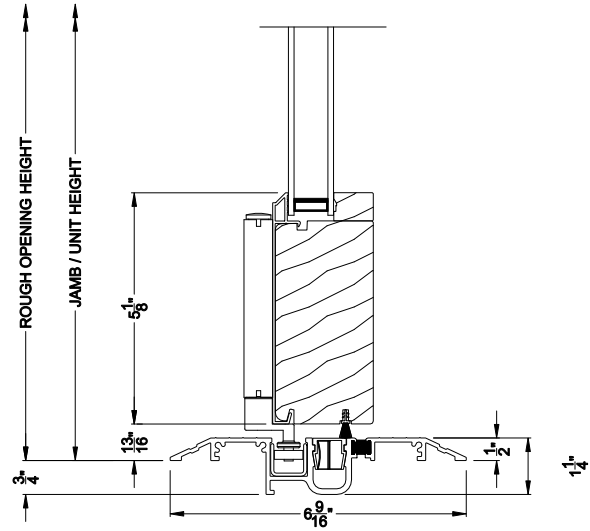
Contemporary Collection™

Outswing Bi-Fold Doors

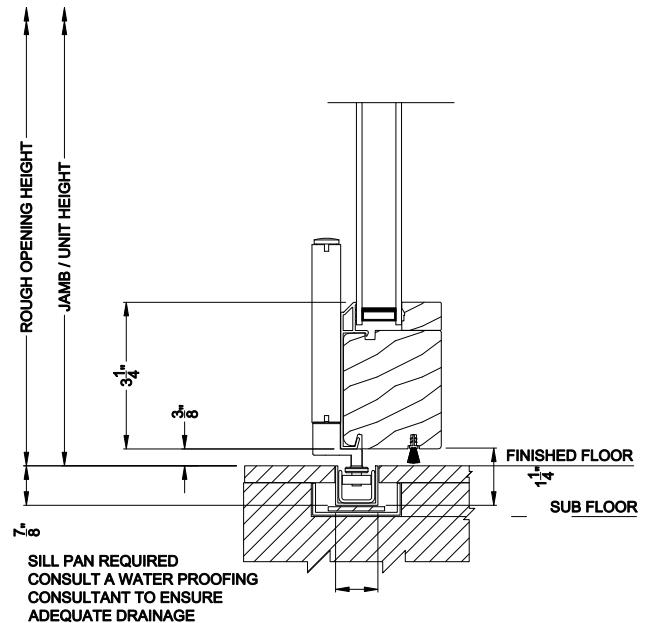
CROSS SECTION DETAILS



CONTEMPORARY BI-FOLD DOOR (8623)
Vertical Section - Standard Sill - 3-1/4" Bottom Rail



CONTEMPORARY BI-FOLD DOOR (8623)
Vertical Section - ADA Sill - 5-1/8" Bottom Rail



SILL PAN REQUIRED
CONSULT A WATER PROOFING
CONSULTANT TO ENSURE
ADEQUATE DRAINAGE

CONTEMPORARY BI-FOLD DOOR (8623)
Vertical Section - U-channel Sill - 3-1/4" Bottom Rail

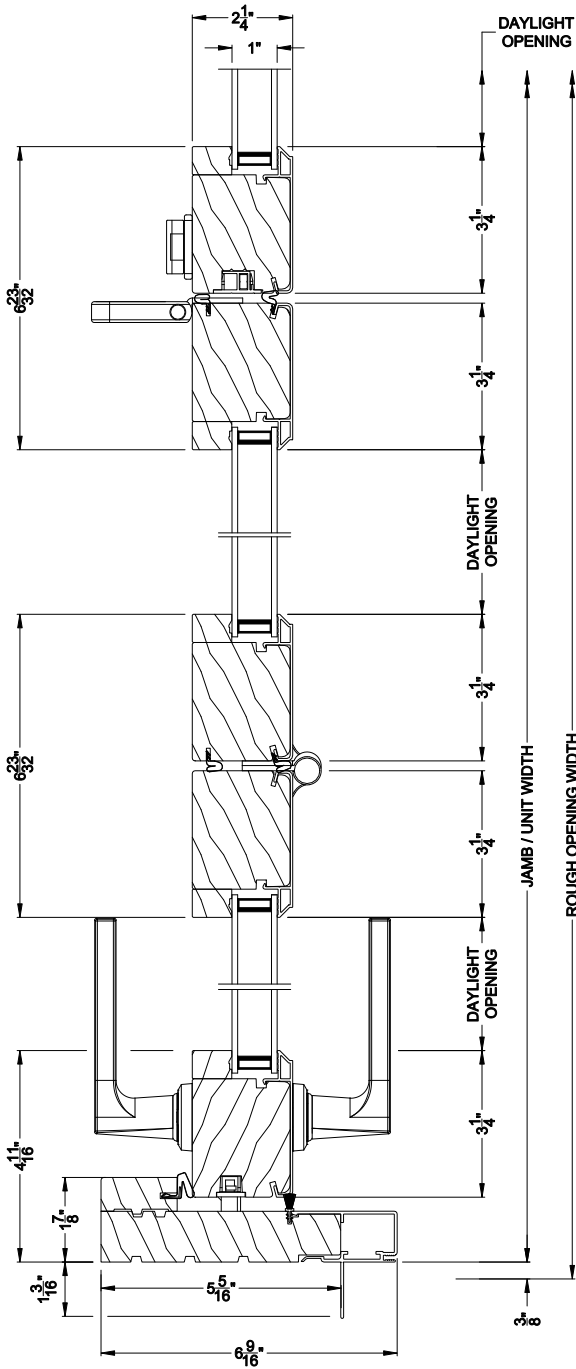
Note: All dimensions are approximate. Weather Shield reserves the right to change specifications without notice.

Weather Shield®

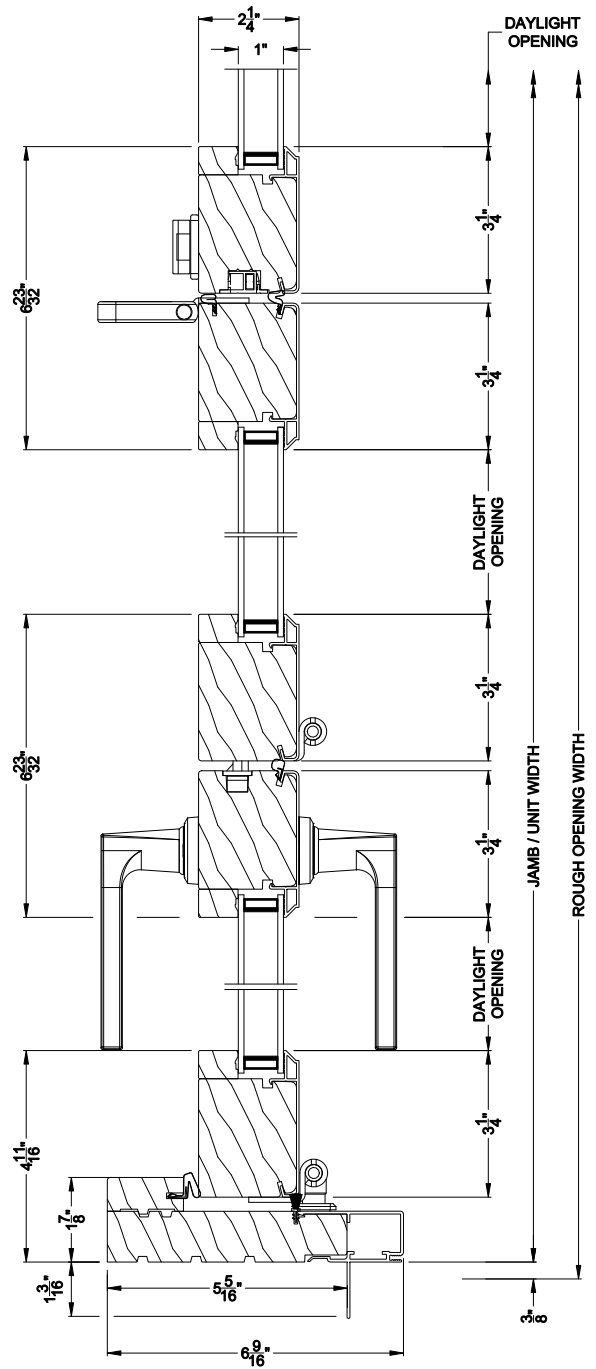
Contemporary Collection™

Outswing Bi-Fold Doors

CROSS SECTION DETAILS



CONTEMPORARY BI-FOLD DOOR (8623)
Horizontal Section



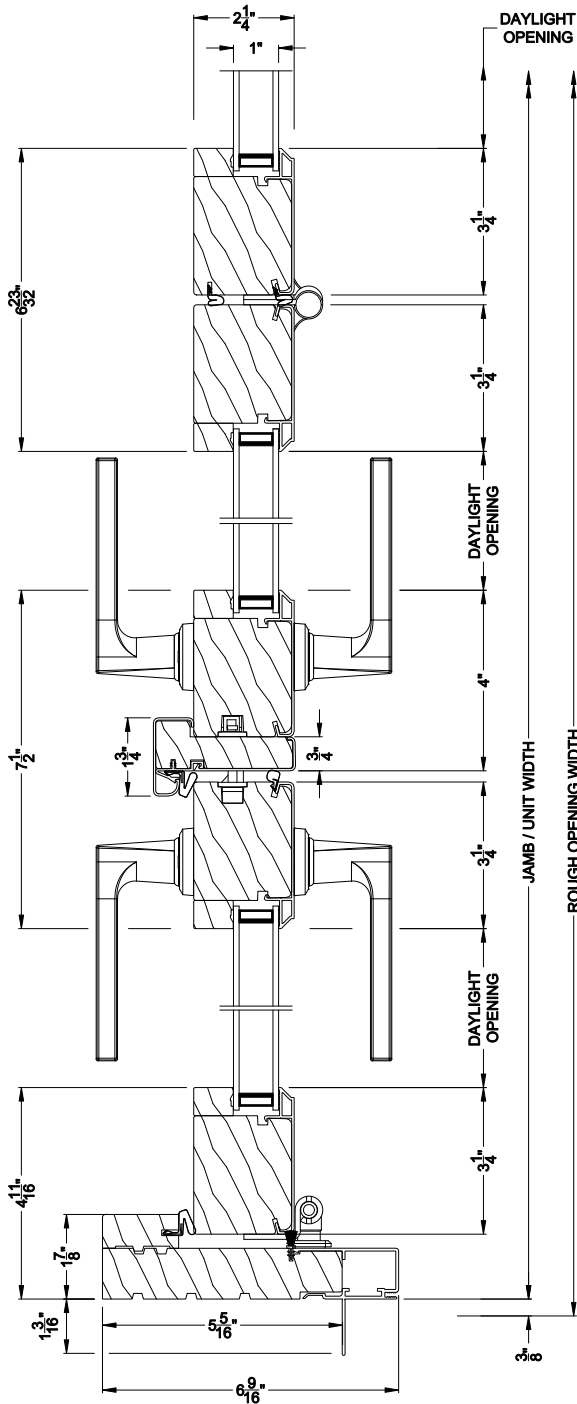
Note: All dimensions are approximate. Weather Shield reserves the right to change specifications without notice.

Weather Shield®

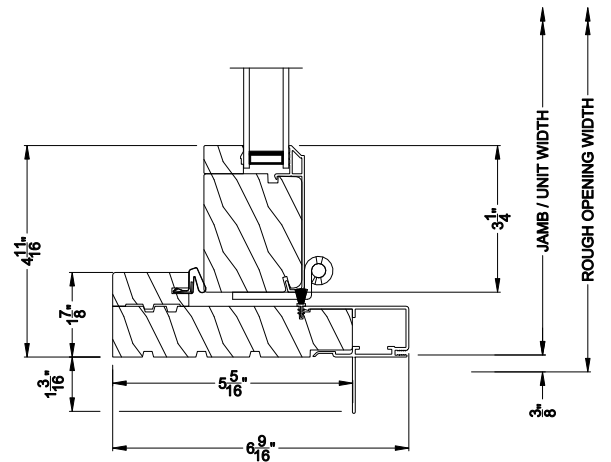
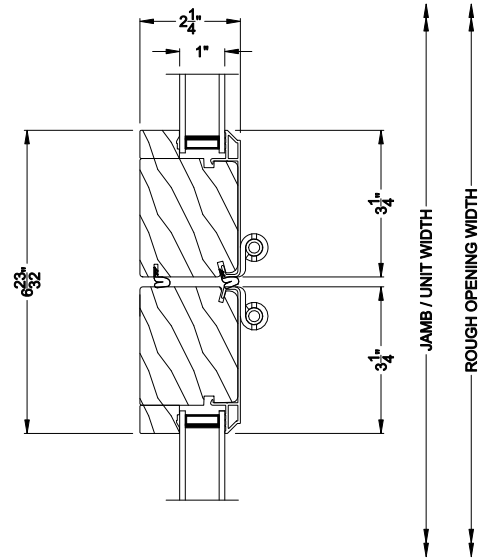
Contemporary Collection™

Outswing Bi-Fold Doors

CROSS SECTION DETAILS



CONTEMPORARY BI-FOLD DOOR (8623)
Horizontal Section



Note: All dimensions are approximate. Weather Shield reserves the right to change specifications without notice.