

Shown are typical construction details for single units. These are solely used for the purpose of visualizing a window/door in a wall detail.

### Proper Installation System Objectives:

- Minimize water and air infiltration
- Allow for expansion and contraction around unit
- Attach unit securely to wall

*\*\*The design and structural load requirements of the rough opening are to be determined and met by the architect and/or engineer. Window/Door frame systems are not designed to support additional elements or components of the building wall system.\*\**

### General Notes

- Details reflect various wall systems. Other Weather Shield® products in the same wall construction will reflect similarly.
- Details do not reflect complete installation procedures.
- Refer to the Installation Guides under the Resources tab on [www.weathershield.com](http://www.weathershield.com) for step by step procedures to install properly.
- Weather Shield® sales representatives can assist with other variable applications.

### Installation Methods

Integrated Nailing Fins, Installation Clips and Frame Screws are the most common methods for installing Weather Shield Premium Series® Windows and Doors.

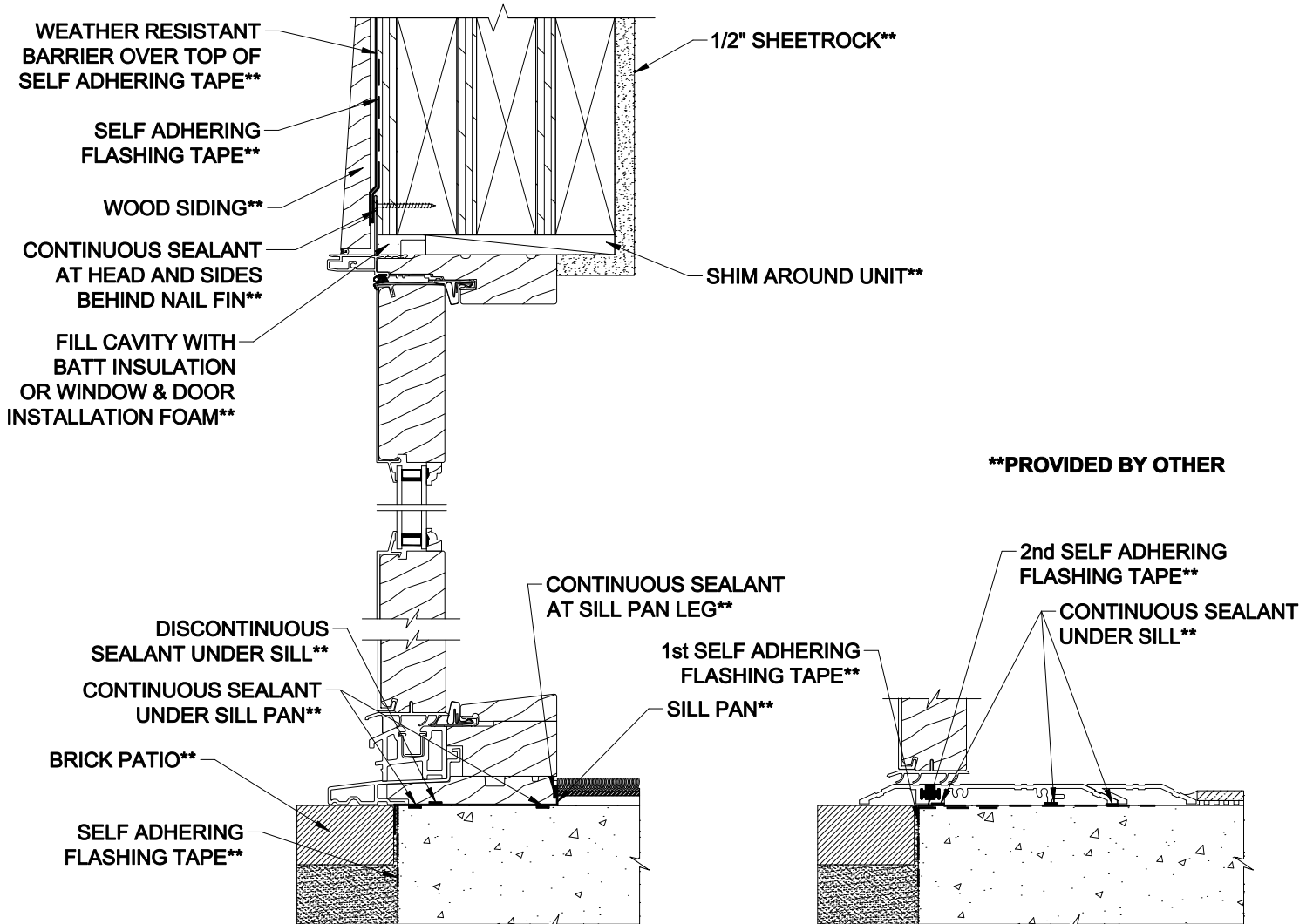
- Integrated Nailing Fins: applicable in most situations where the window/door can be installed from the exterior of the house to the sheathing. Primarily used on wood, vinyl, stucco (new construction) and brick veneer (new construction) exteriors.
- Installation Clips: applicable in situations where the window/door needs to be installed and fastened in the interior. Primarily used on reconstruction.
- Frame Screws: applicable in both installing the window/door from the interior or exterior. Mostly used when the window/door needs to be fastened to a wood buck, usually with concrete or masonry wall systems.

### Important Installation Procedures

- Unit must be shimmed in the opening, true, plum, level and square. Shim windows a minimum of 1/4" above sill plate to provide proper clearance.
- Shims are required to keep frames straight.
- When insulating around the unit, use batt insulation or window and door installation foam. Do not use high compressive foam.

**IMPORTANT!** Details are shown with minimal spacing between items for clarity of illustration. Actual assembly details may vary.

### Wood Siding - Wood Stud 6 9/16" Jamb - Drywall Return



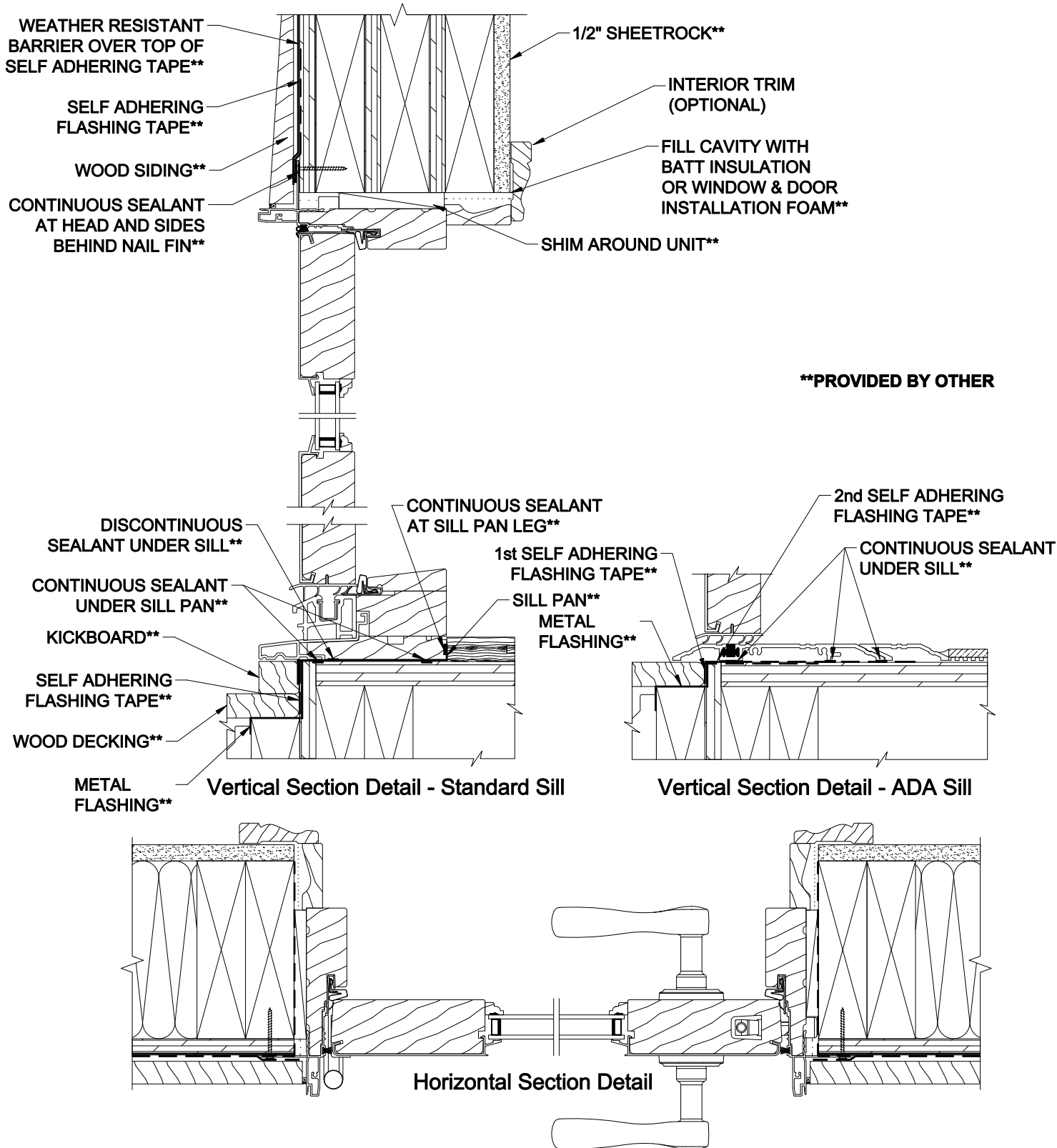
\*\*PROVIDED BY OTHER

Vertical Section Detail - Standard Sill

Vertical Section Detail - ADA Sill

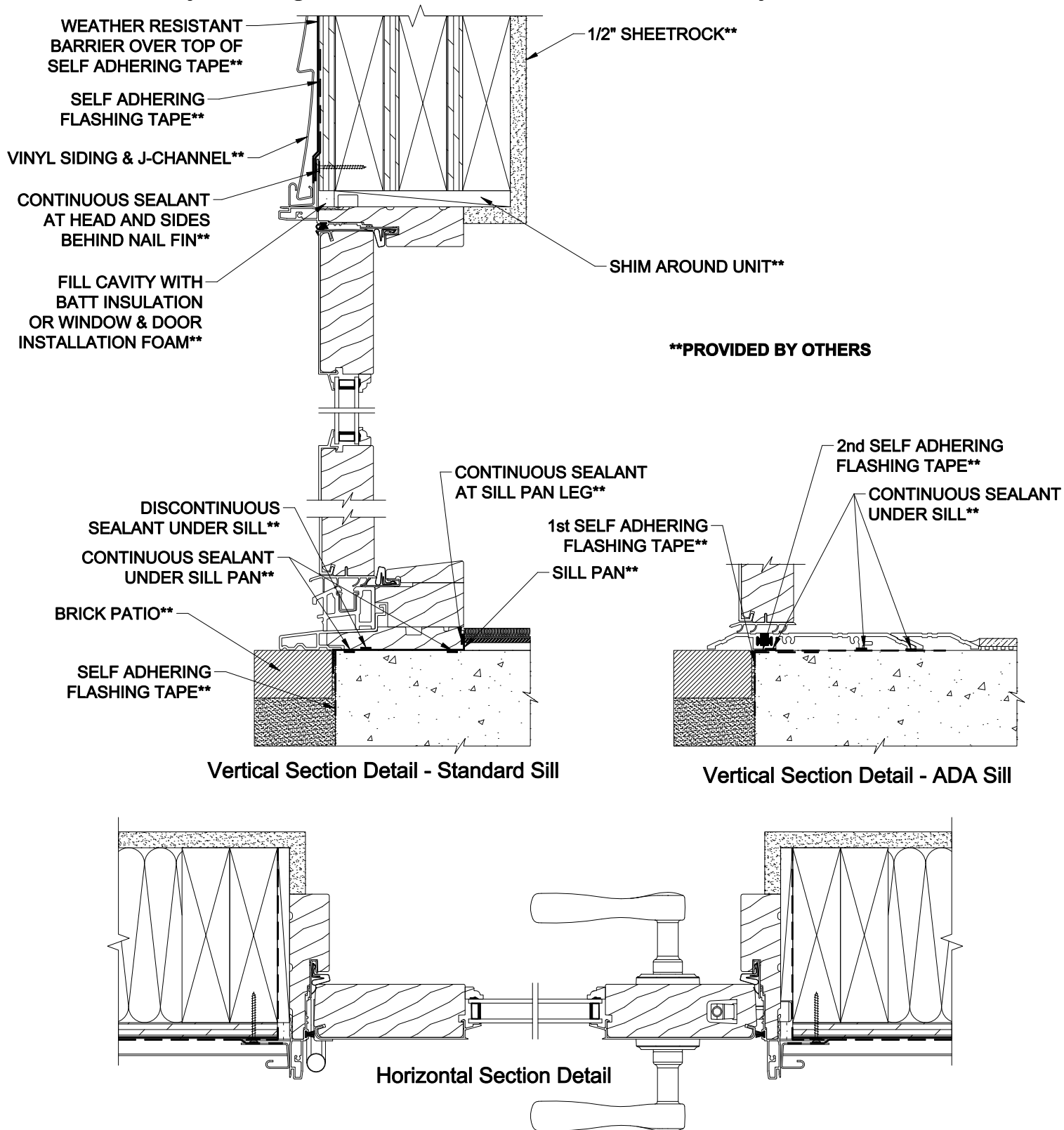
Note: All dimensions are approximate. Weather Shield reserves the right to change specifications without notice.

### Wood Siding - Wood Stud 6 9/16" Jamb - Jamb Extension



Note: All dimensions are approximate. Weather Shield reserves the right to change specifications without notice.

### Vinyl Siding - Wood Stud 6 9/16" Jamb - Drywall Return



Note: All dimensions are approximate. Weather Shield reserves the right to change specifications without notice.

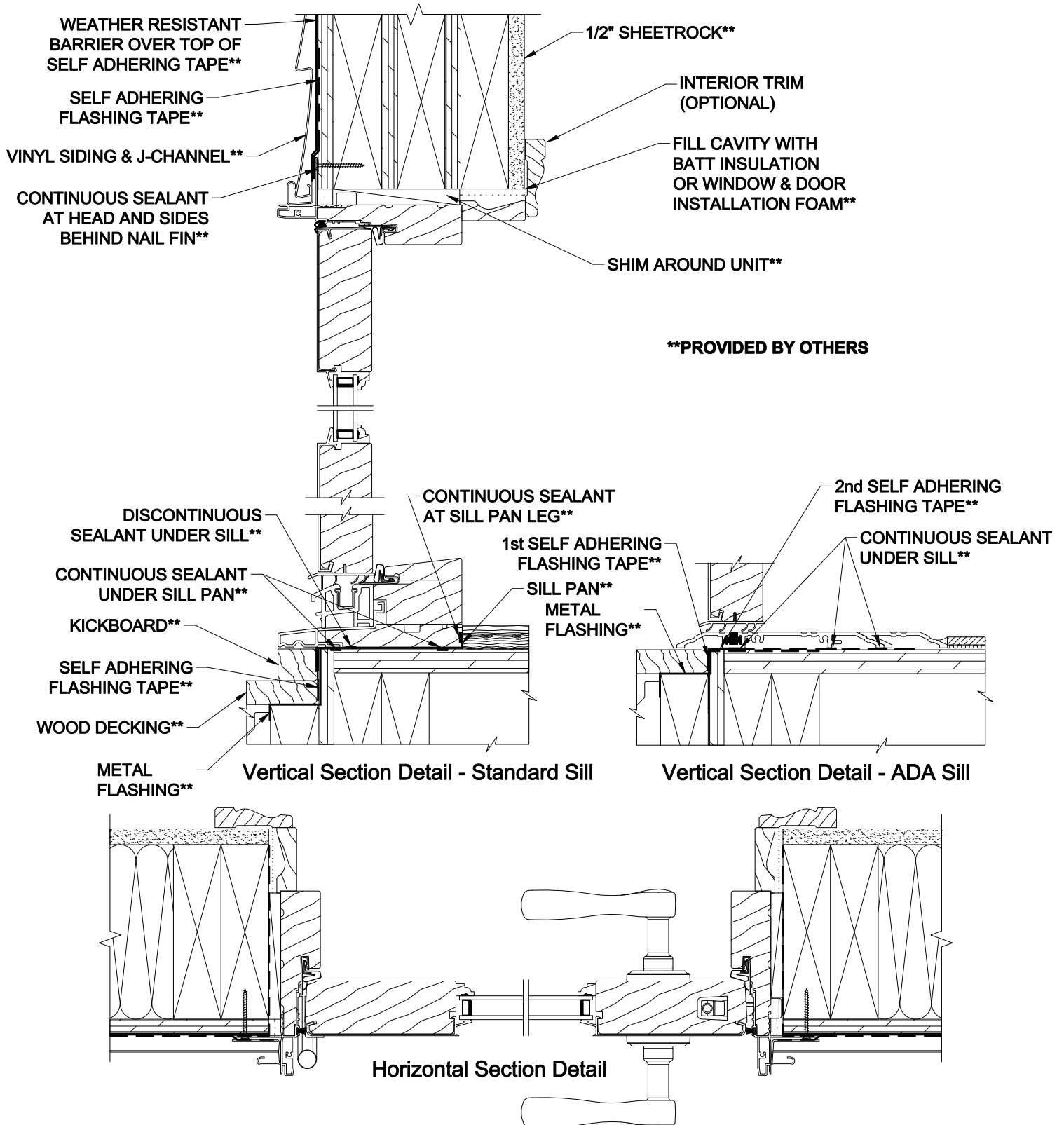
# Weather Shield®

Premium Series™

# Outswing Patio Doors

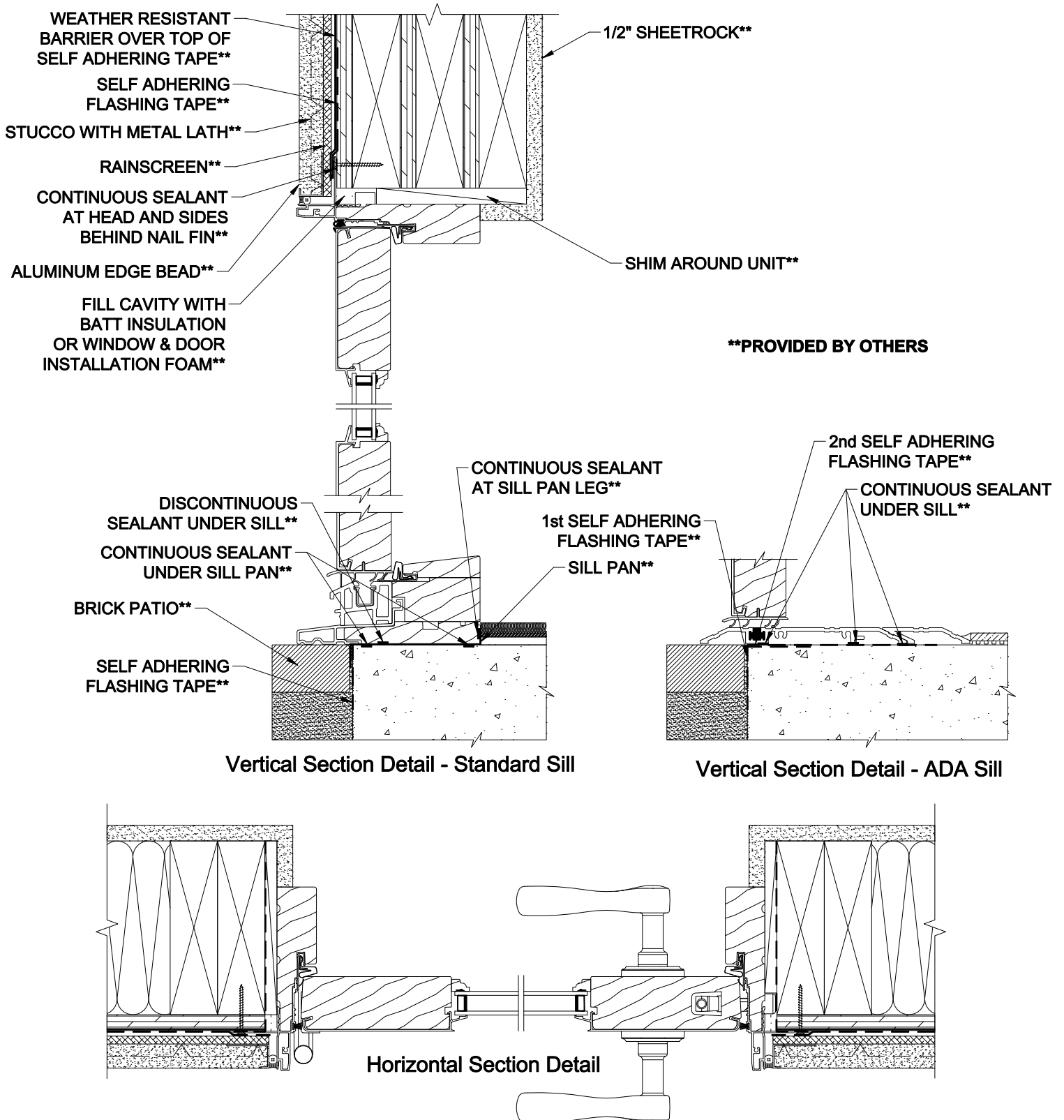
VINYL SIDING INSTALLATION DETAILS

## Vinyl Siding - Wood Stud 6 9/16" Jamb - Jamb Extension



Note: All dimensions are approximate. Weather Shield reserves the right to change specifications without notice.

### Stucco Exterior - Wood Stud 6 9/16" Jamb - Drywall Return



\*\*PROVIDED BY OTHERS

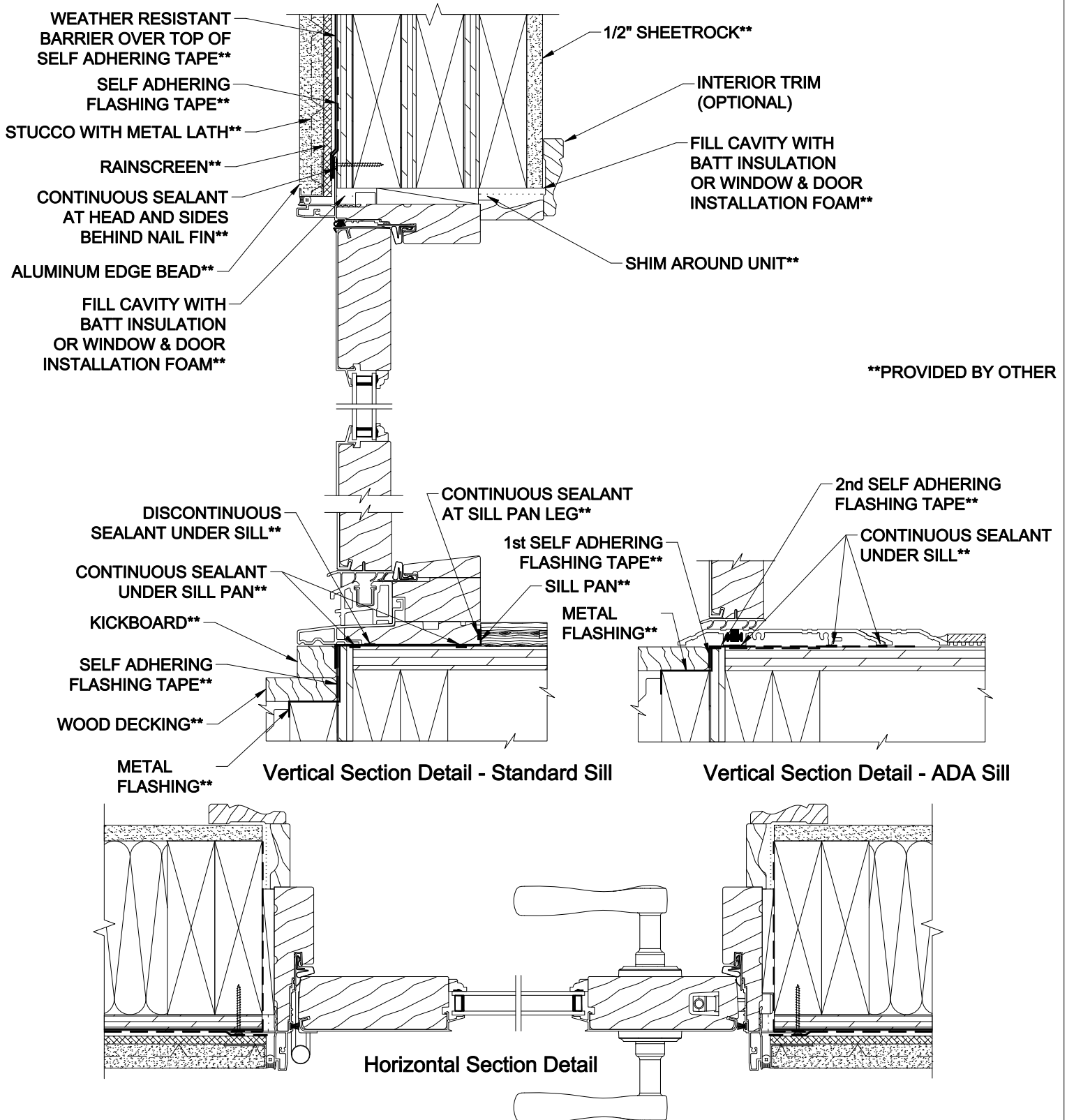
Vertical Section Detail - Standard Sill

Vertical Section Detail - ADA Sill

Horizontal Section Detail

Note: All dimensions are approximate. Weather Shield reserves the right to change specifications without notice.

### Stucco Exterior - Wood Stud 6 9/16" Jamb - Jamb Extension



\*\*PROVIDED BY OTHER

Note: All dimensions are approximate. Weather Shield reserves the right to change specifications without notice.

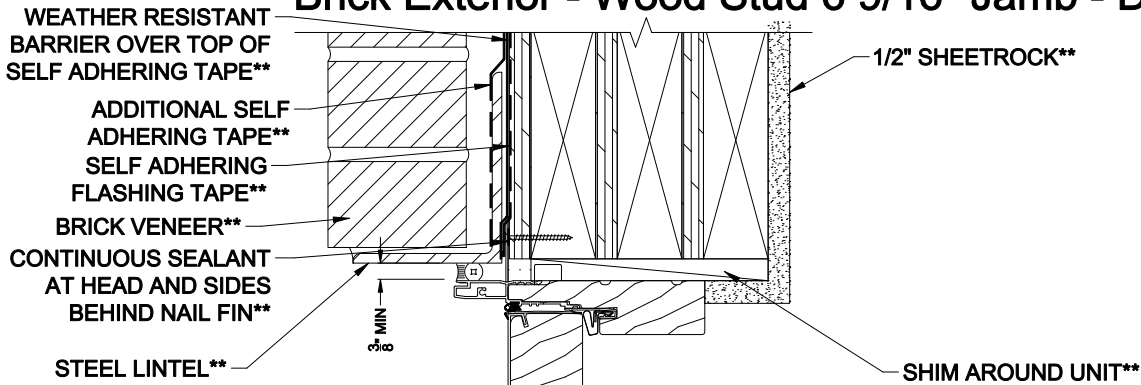
# Weather Shield®

## Premium Series™

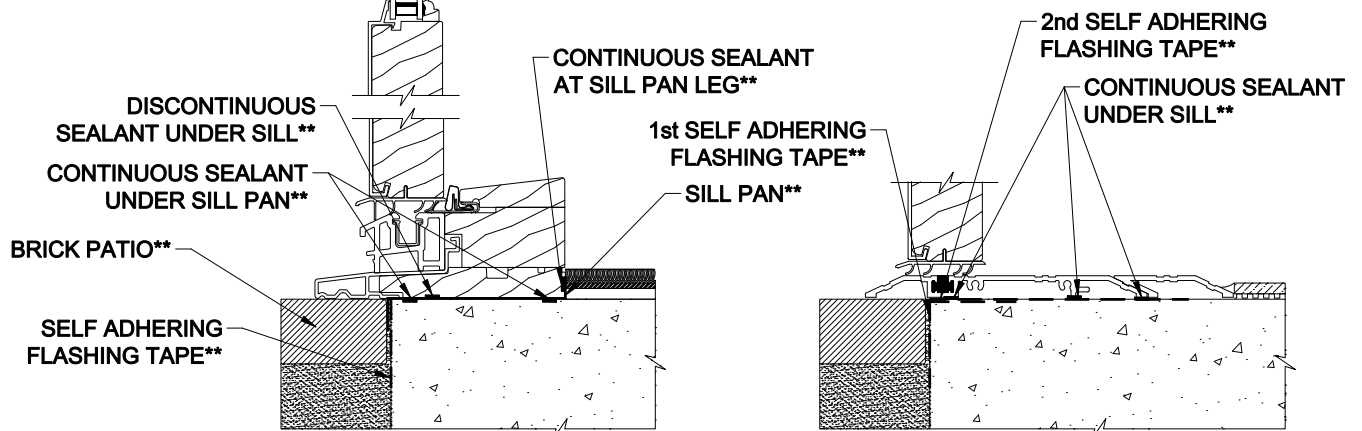
# Outswing Patio Doors

## BRICK VENEER INSTALLATION DETAILS

### Brick Exterior - Wood Stud 6 9/16" Jamb - Drywall Return

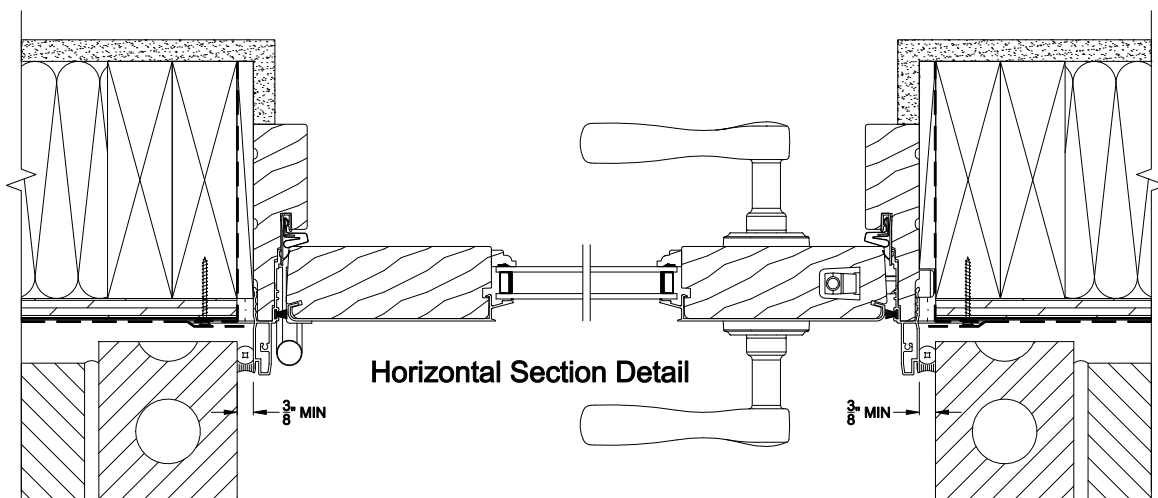


\*\*PROVIDED BY OTHERS



Vertical Section Detail - Standard Sill

Vertical Section Detail - ADA Sill



Note: All dimensions are approximate. Weather Shield reserves the right to change specifications without notice.



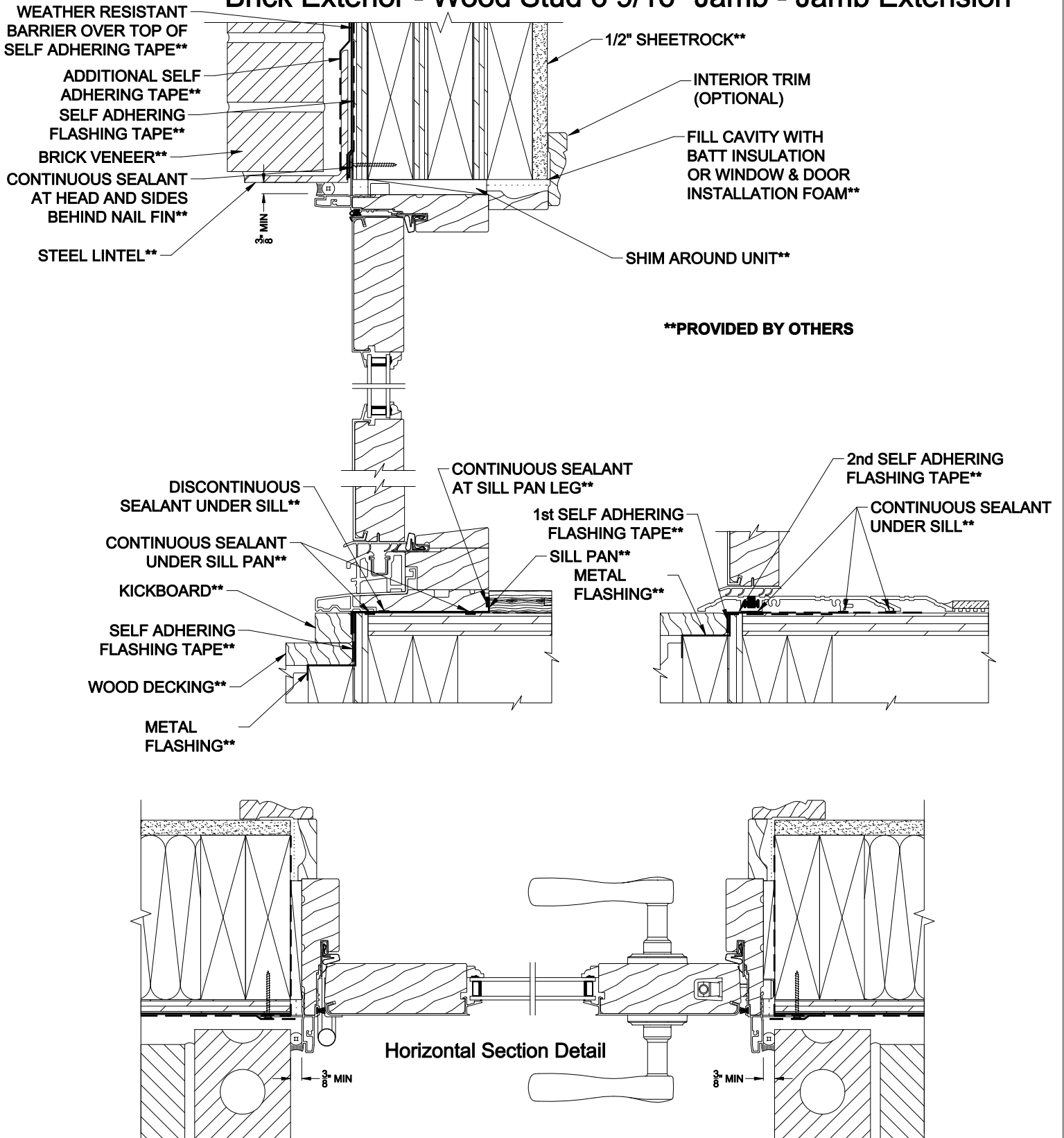
# Weather Shield®

## Premium Series™

# Outswing Patio Doors

## BRICK VENEER INSTALLATION DETAILS

### Brick Exterior - Wood Stud 6 9/16" Jamb - Jamb Extension



Note: All dimensions are approximate. Weather Shield reserves the right to change specifications without notice.