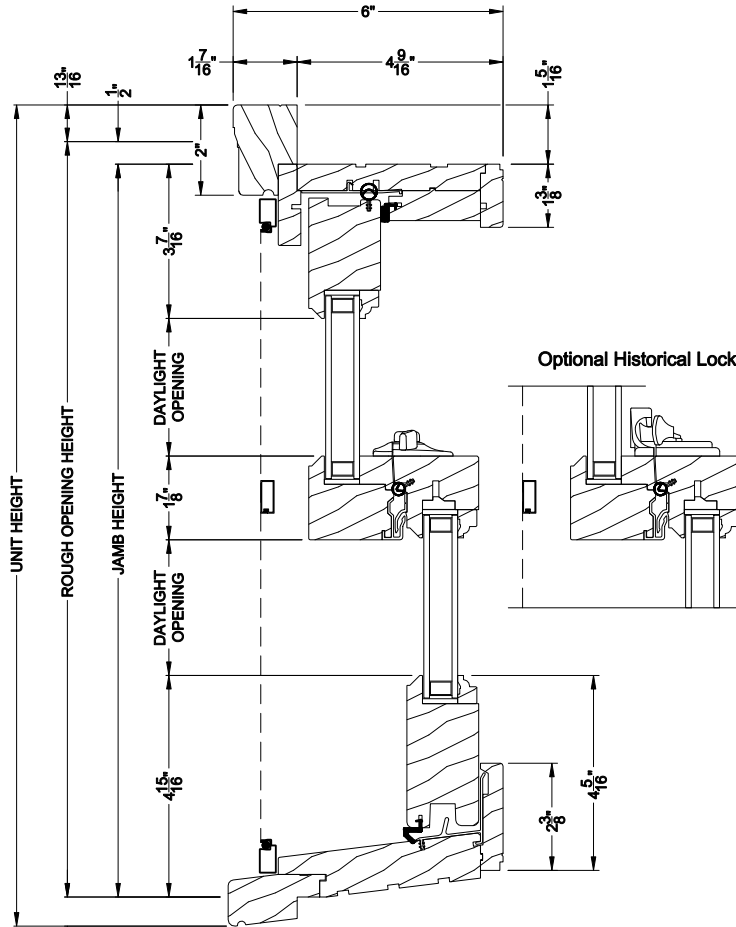


Weather Shield®

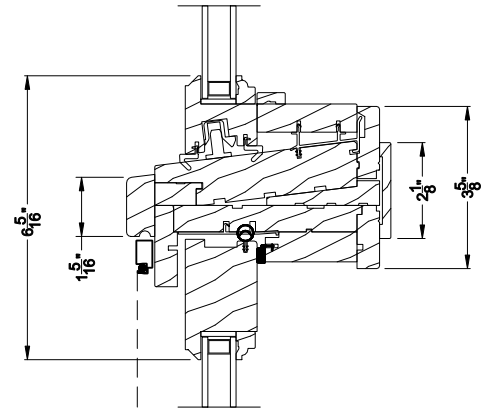
Premium Wood Series™

Double Hung Windows

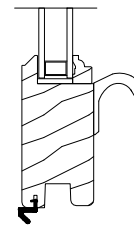
CROSS SECTION DETAILS



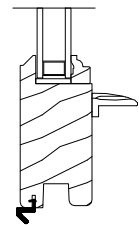
PREMIUM WOOD DOUBLE HUNG WINDOW (6120)
Vertical Section



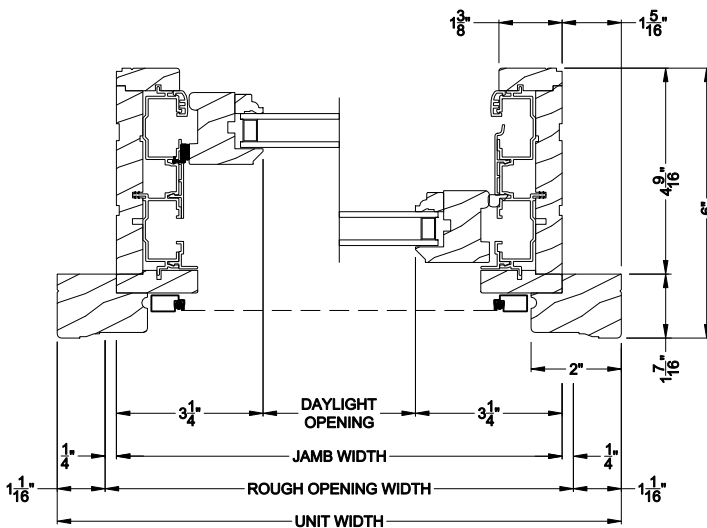
PREMIUM WOOD DOUBLE HUNG WINDOW
Horizontal Stack Section - Transom Stack over DH



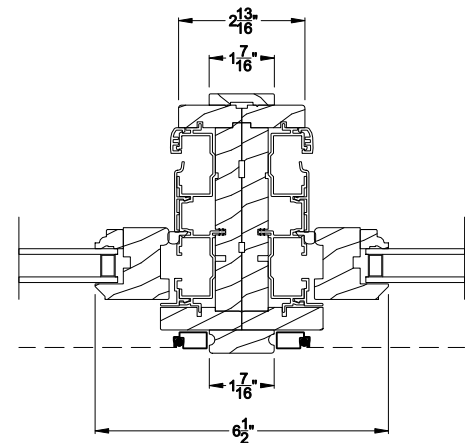
Optional Historical Sash Lift



Optional Contemporary Sash Lift



PREMIUM WOOD DOUBLE HUNG WINDOW (6120)
Horizontal Section



PREMIUM WOOD DOUBLE HUNG WINDOW
Vertical Mull Section - DH / DH

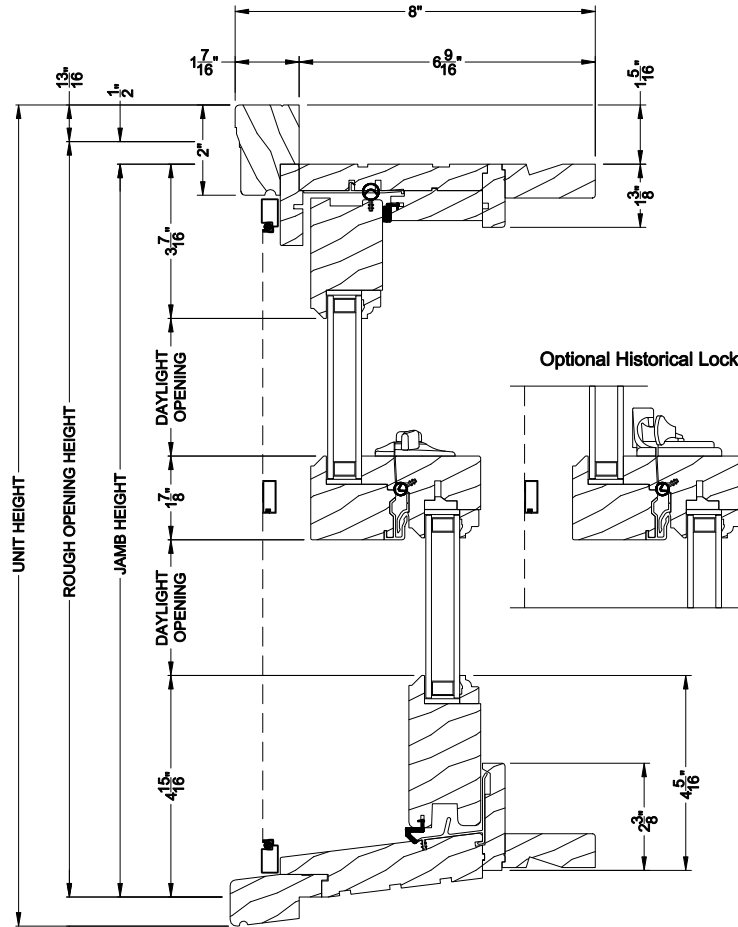
Note: All dimensions are approximate. Weather Shield reserves the right to change specifications without notice.

Weather Shield®

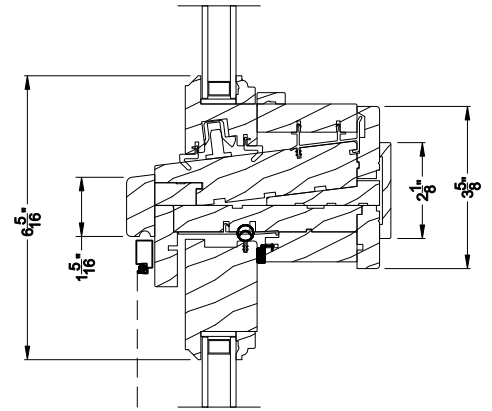
Premium Wood Series™

Double Hung Windows

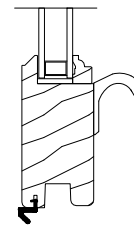
CROSS SECTION DETAILS



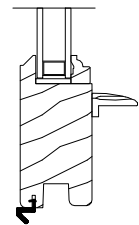
PREMIUM WOOD DOUBLE HUNG WINDOW (6120)
Vertical Section - 6 9/16" Jamb



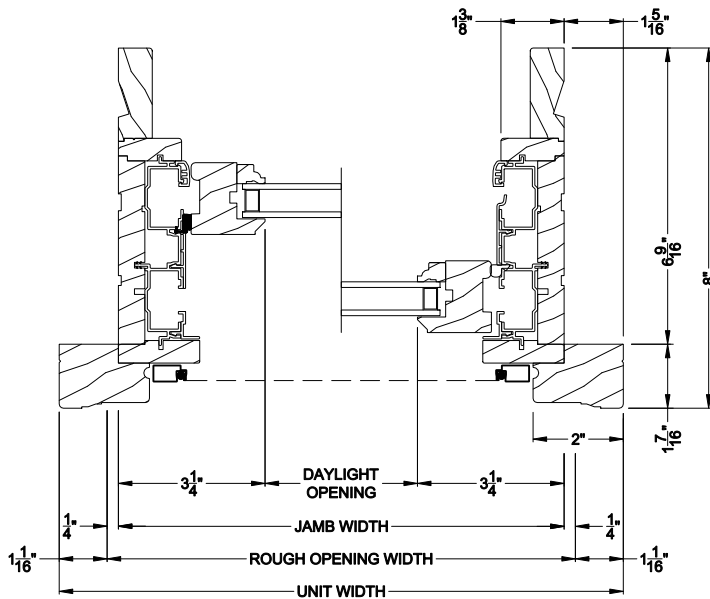
PREMIUM WOOD DOUBLE HUNG WINDOW
Horizontal Stack Section - Transom Stack over DH



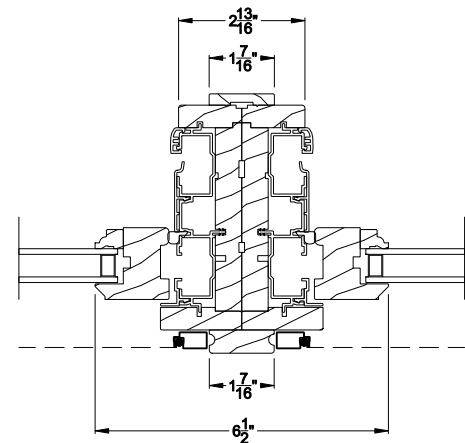
Optional Historical Sash Lift



Optional Contemporary Sash Lift



PREMIUM WOOD DOUBLE HUNG WINDOW (6120)
Horizontal Section - 6 9/16" Jamb



PREMIUM WOOD DOUBLE HUNG WINDOW
Vertical Mull Section - DH / DH

Note: All dimensions are approximate. Weather Shield reserves the right to change specifications without notice.