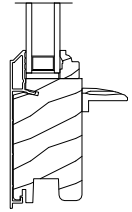
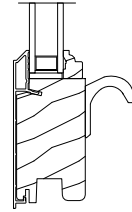
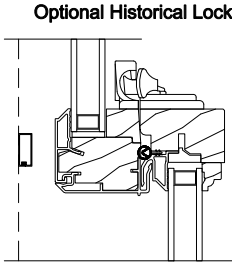
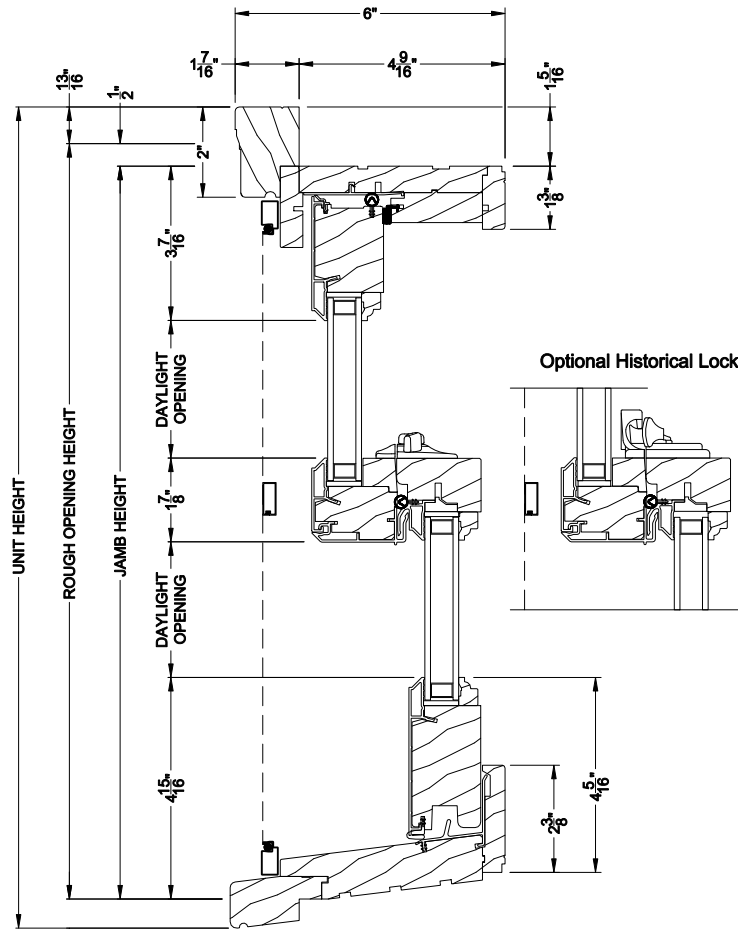


Weather Shield®

Premium Wood Series™

Double Hung Windows

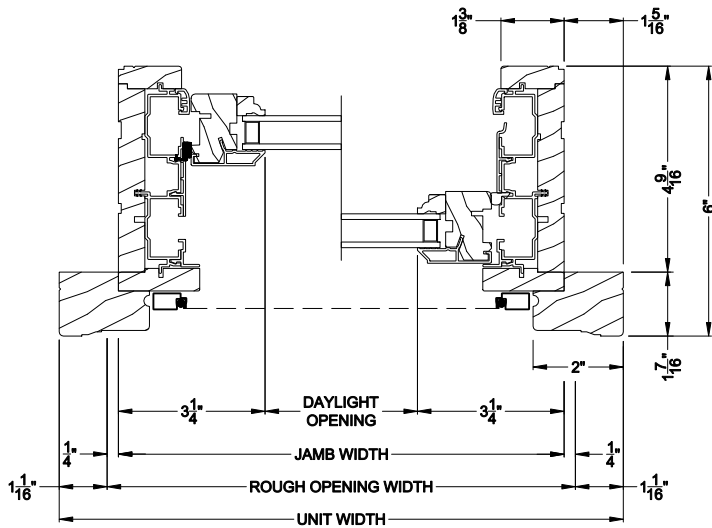
CROSS SECTION DETAILS



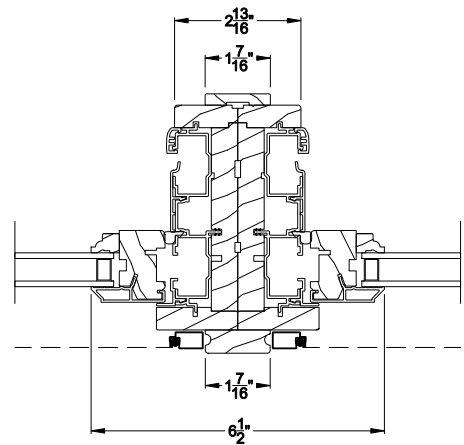
Optional Historical Sash Lift

Optional Contemporary Sash Lift

PREMIUM WOOD DOUBLE HUNG WINDOW (6123)
Vertical Section - Clad Sash



PREMIUM WOOD DOUBLE HUNG WINDOW (6123)
Horizontal Section - Clad Sash



PREMIUM WOOD DOUBLE HUNG WINDOW
Vertical Mull Section - DH / DH

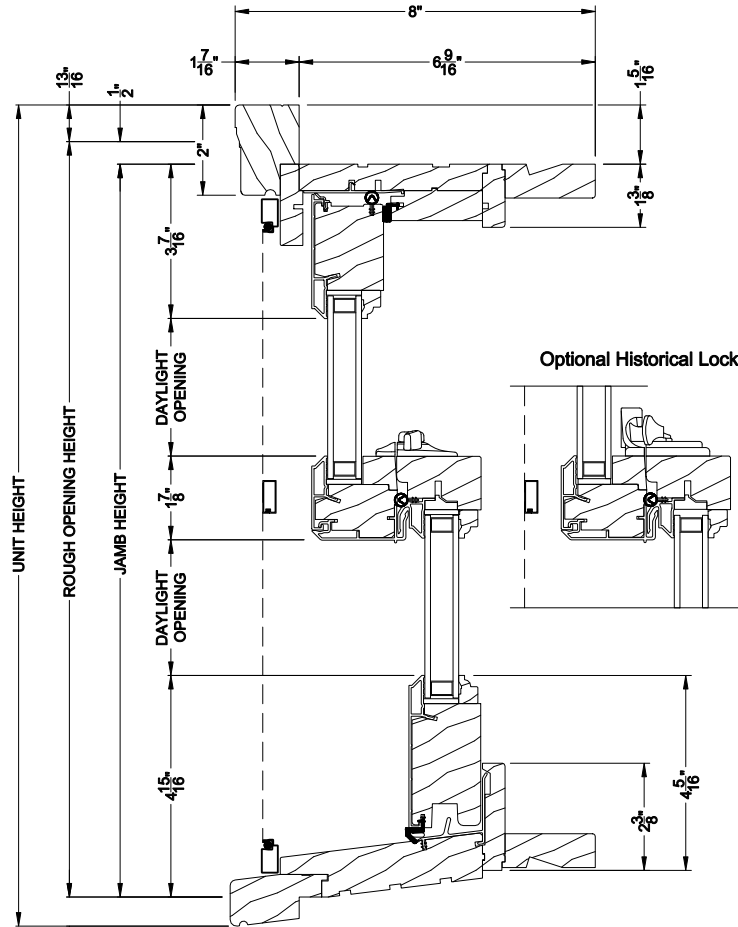
Note: All dimensions are approximate. Weather Shield reserves the right to change specifications without notice.

Weather Shield®

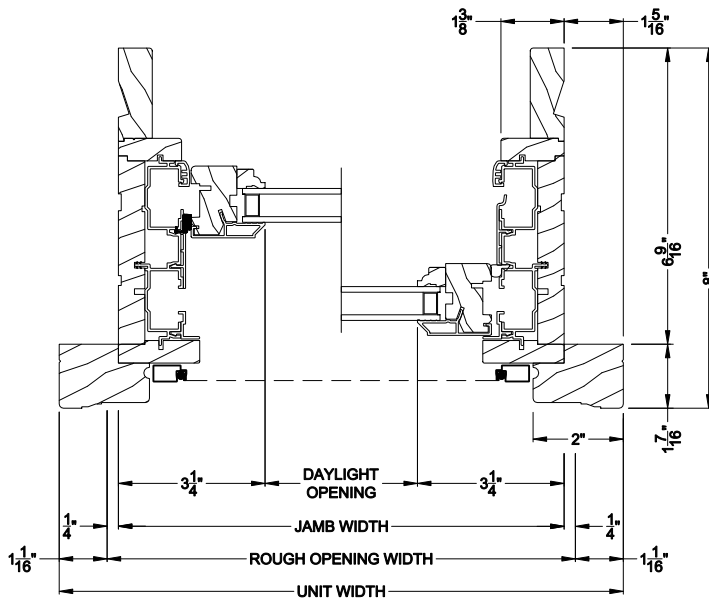
Premium Wood Series™

Double Hung Windows

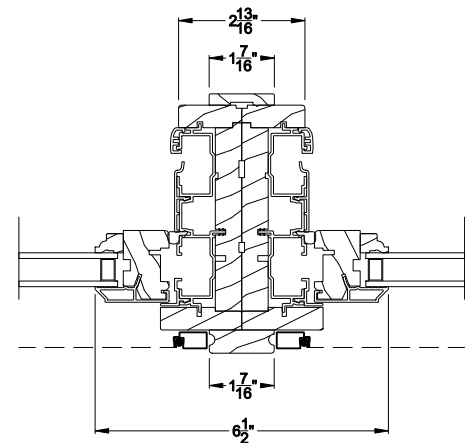
CROSS SECTION DETAILS



PREMIUM WOOD DOUBLE HUNG WINDOW (6123)
Vertical Section - Clad Sash - 6 9/16" Jamb



PREMIUM WOOD DOUBLE HUNG WINDOW (6123)
Horizontal Section - Clad Sash - 6 9/16" Jamb



PREMIUM WOOD DOUBLE HUNG WINDOW
Vertical Mull Section - DH / DH

Note: All dimensions are approximate. Weather Shield reserves the right to change specifications without notice.