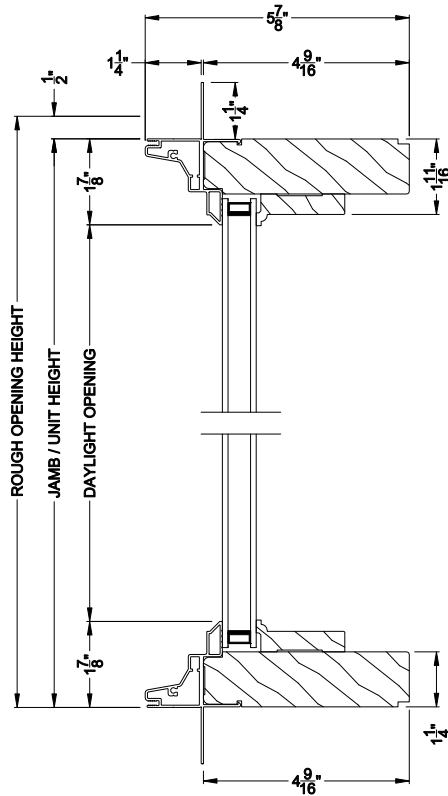
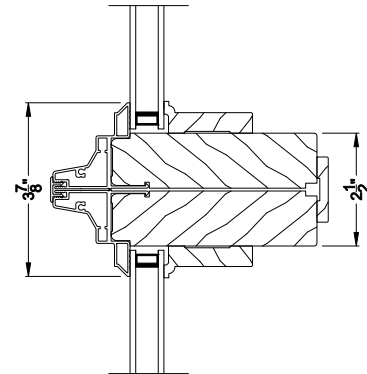


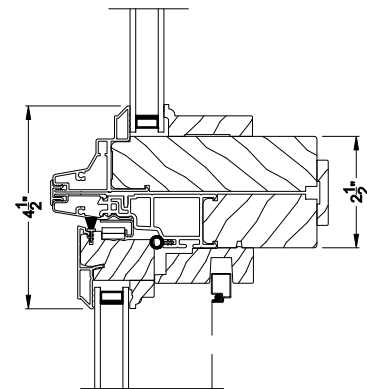
Casement / Awning frame style



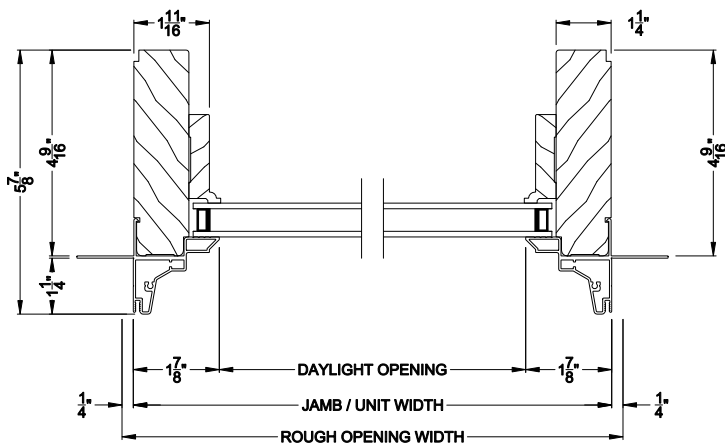
SIGNATURE SPECIAL SHAPE DIRECT-SET (8306)
Vertical Section - 5/4 jamb



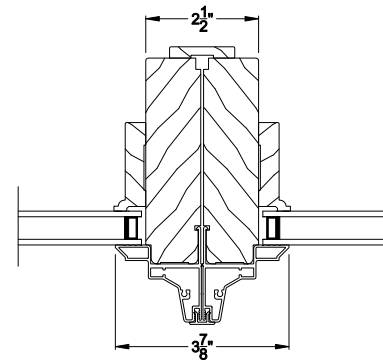
SIGNATURE SPECIAL SHAPE DIRECT-SET
Horizontal Stack Section



SIGNATURE SPECIAL SHAPE DIRECT-SET
Horizontal Stack Section



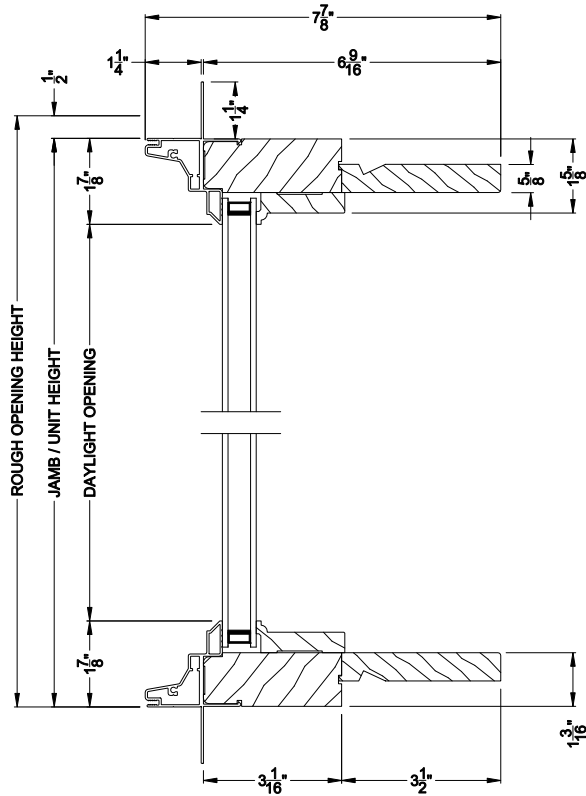
SIGNATURE SPECIAL SHAPE DIRECT-SET (8306)
Horizontal Section - 5/4 jamb



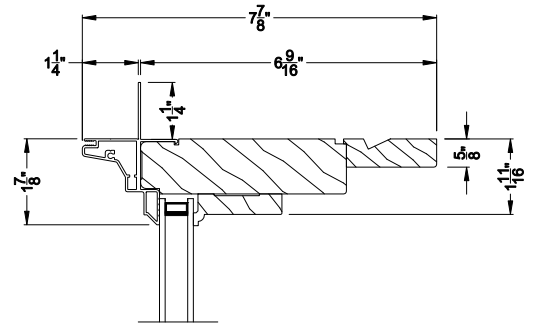
SIGNATURE SPECIAL SHAPE DIRECT-SET
Vertical Mull Section

Note: All dimensions are approximate. Weather Shield reserves the right to change specifications without notice.

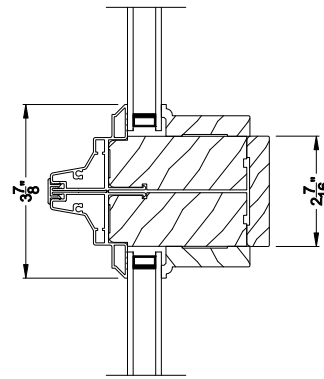
Casement / Awning frame style



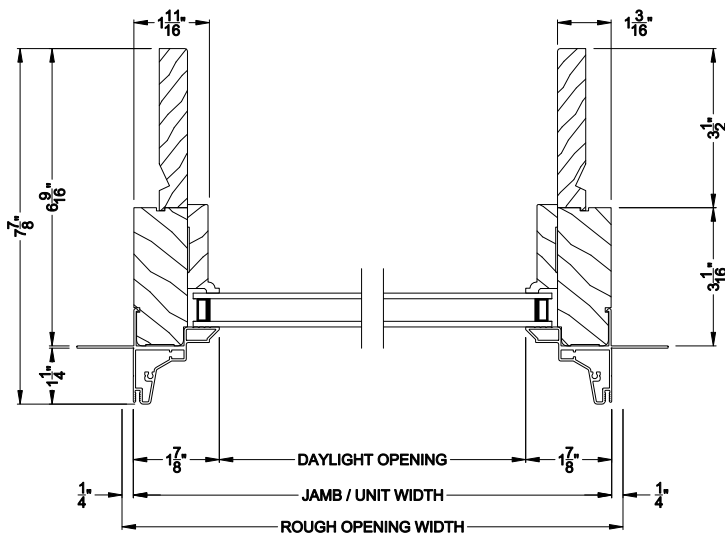
SIGNATURE SPECIAL SHAPE DIRECT-SET (8306)
Vertical Section - 6-9/16" jamb



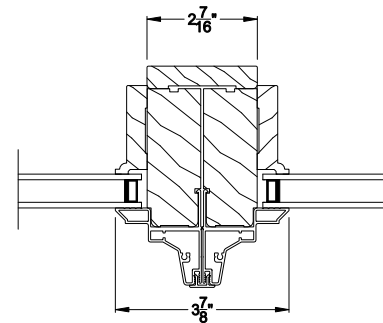
SIGNATURE SPECIAL SHAPE DIRECT-SET
Vertical Section - 5/4 jamb with extension



SIGNATURE SPECIAL SHAPE DIRECT-SET
Horizontal Stack Section



SIGNATURE SPECIAL SHAPE DIRECT-SET (8306)
Horizontal Section - 6-9/16" jamb



SIGNATURE SPECIAL SHAPE DIRECT-SET
Vertical Mull Section

Note: All dimensions are approximate. Weather Shield reserves the right to change specifications without notice.