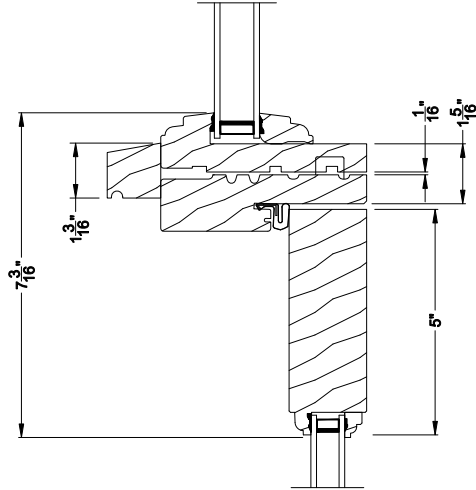
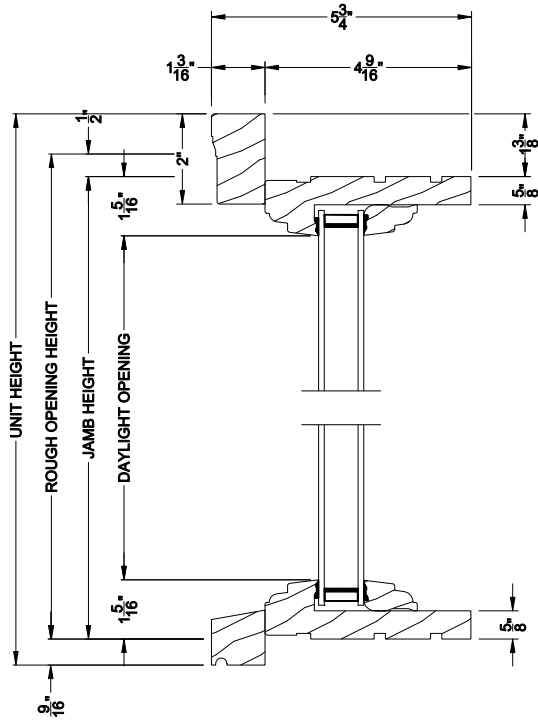


# Weather Shield®

## Weather Shield Series™

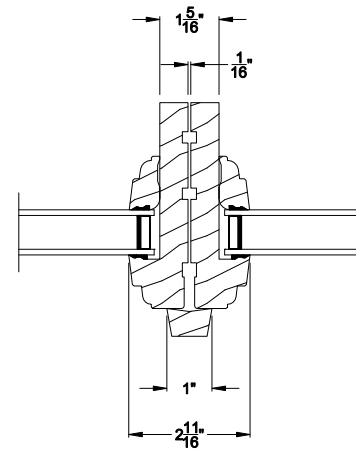
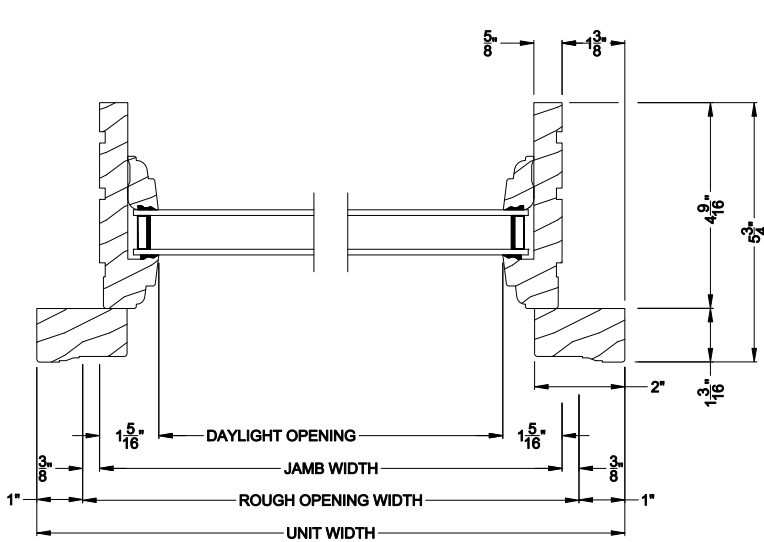
# Hinged Door Transom

## CROSS SECTION DETAILS



**WEATHER SHIELD INSWING DOOR TRANSOM**  
Horizontal Stack Section

**WEATHER SHIELD INSWING DOOR TRANSOM (630)**  
Vertical Section



**WEATHER SHIELD INSWING DOOR TRANSOM**  
Vertical Mull Section

**WEATHER SHIELD INSWING DOOR TRANSOM (630)**  
Horizontal Section

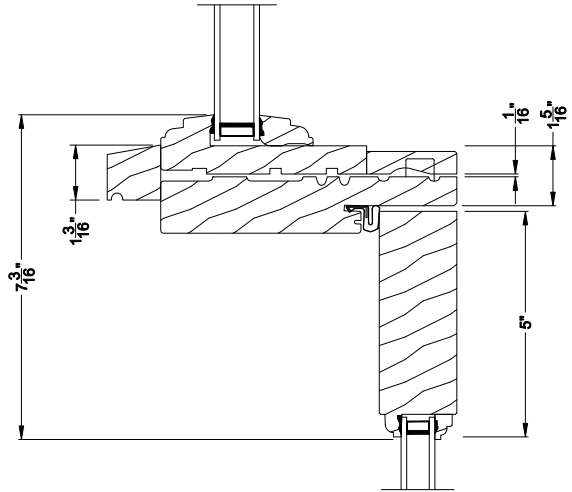
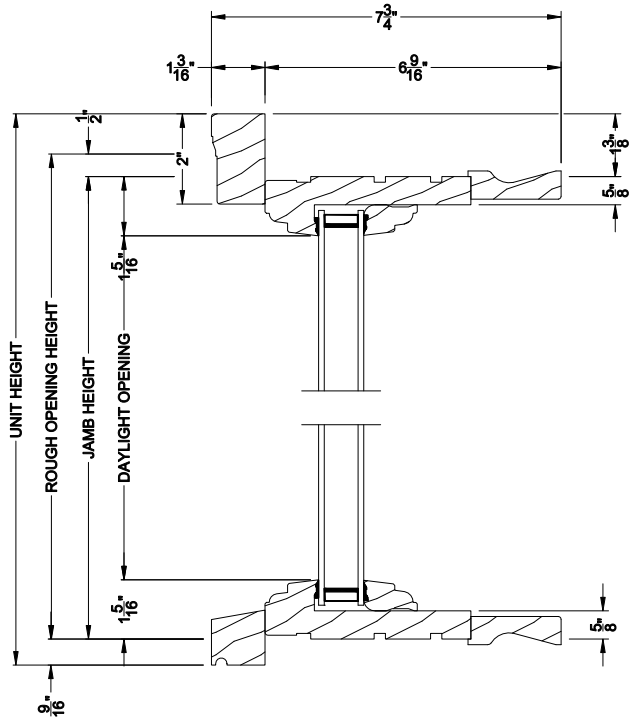
Note: All dimensions are approximate. Weather Shield reserves the right to change specifications without notice.

# Weather Shield®

## Weather Shield Series™

# Hinged Door Transom

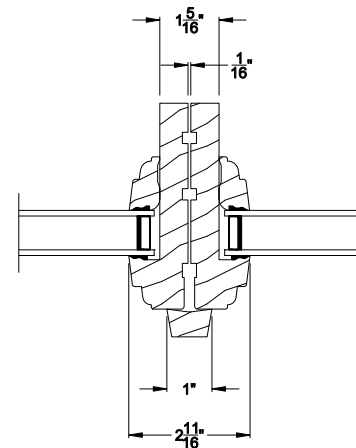
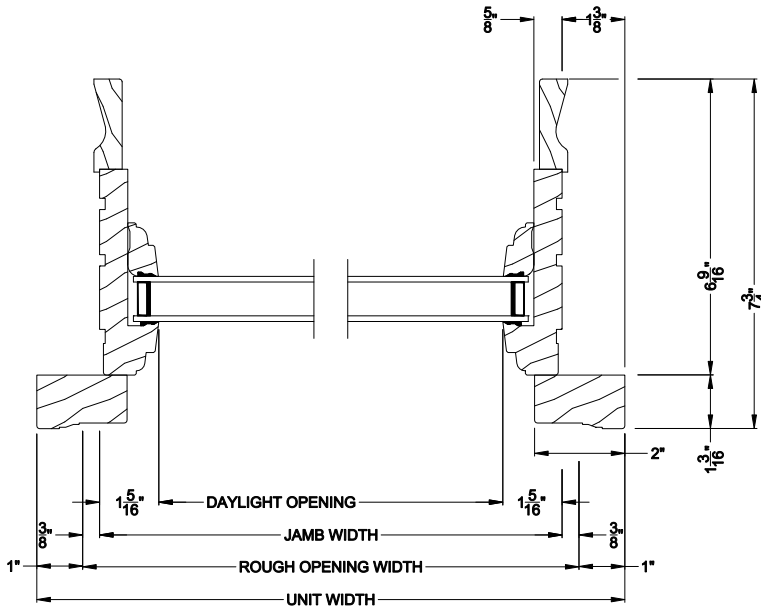
## CROSS SECTION DETAILS



**WEATHER SHIELD INSWING DOOR TRANSOM**  
Horizontal Stack Section

### WEATHER SHIELD INSWING DOOR TRANSOM (630)

Vertical Section - 6 9/16" jamb



**WEATHER SHIELD INSWING DOOR TRANSOM**  
Vertical Mull Section

### WEATHER SHIELD INSWING DOOR TRANSOM (630)

Horizontal Section - 6 9/16" jamb

Note: All dimensions are approximate. Weather Shield reserves the right to change specifications without notice.