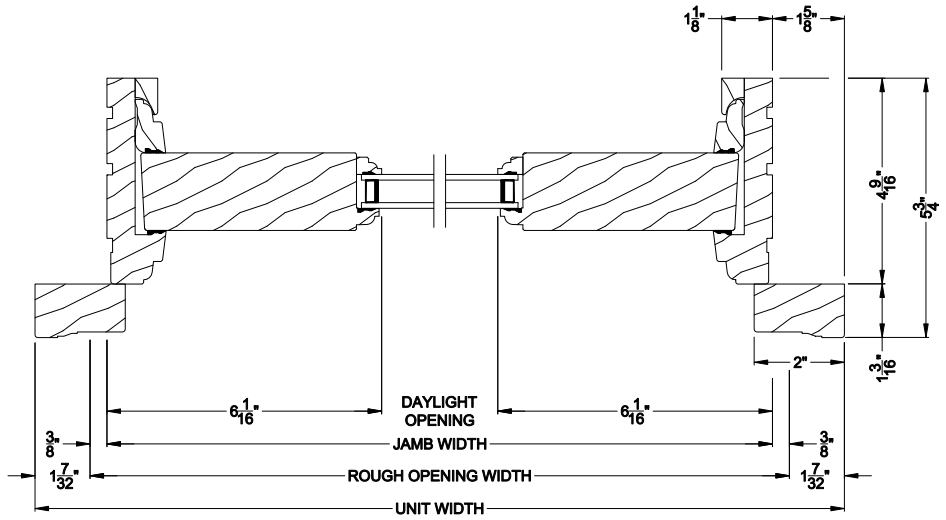
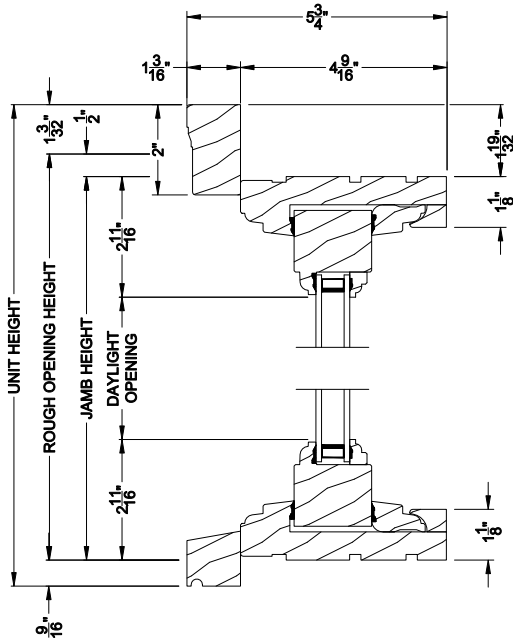


Weather Shield®

Weather Shield Series™

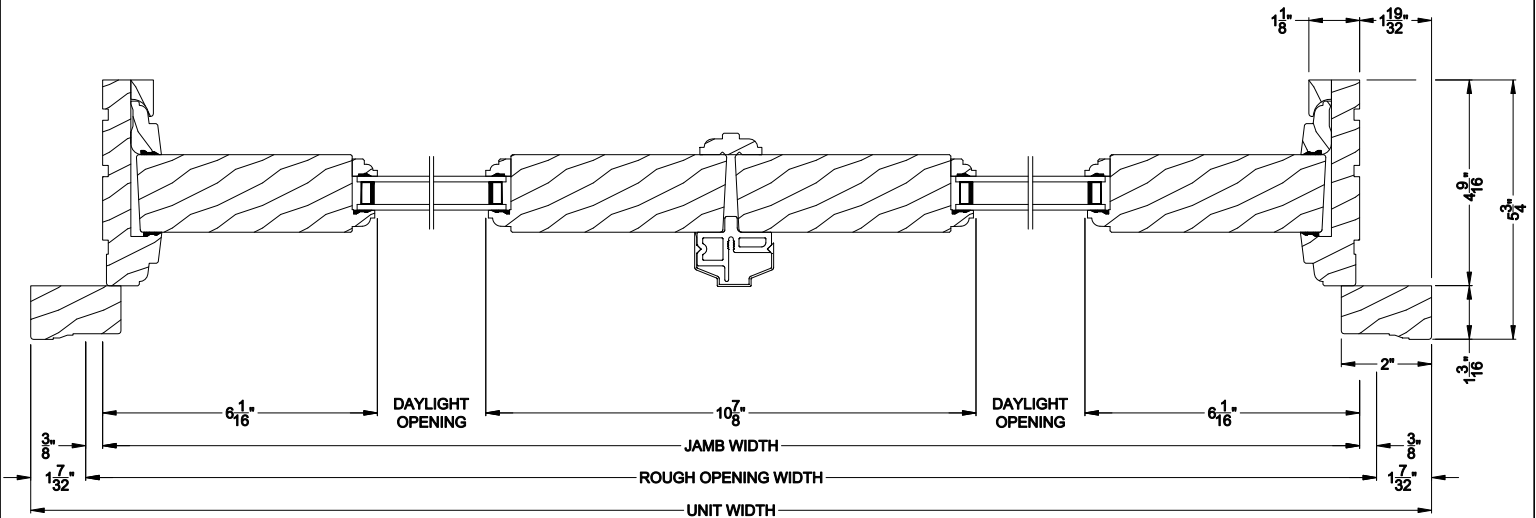
Hinged Door Transom

CROSS SECTION DETAILS



WEATHER SHIELD OUTSWING DOOR TRANSOM (630)
Horizontal Section - With 1 Panel

WEATHER SHIELD OUTSWING DOOR TRANSOM (630)
Vertical Section - With Panel



WEATHER SHIELD OUTSWING DOOR TRANSOM (630)
Horizontal Section - With 2 Panels

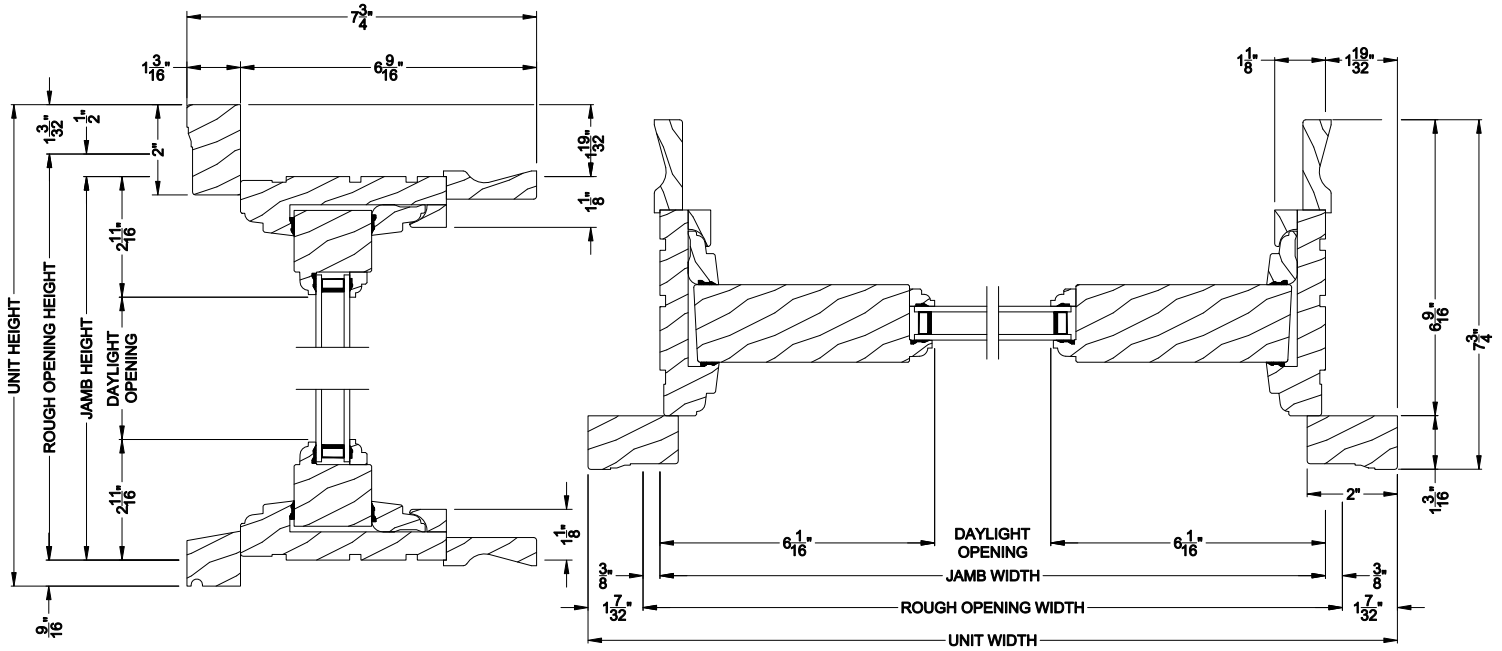
Note: All dimensions are approximate. Weather Shield reserves the right to change specifications without notice.

Weather Shield®

Weather Shield Series™

Hinged Door Transom

CROSS SECTION DETAILS

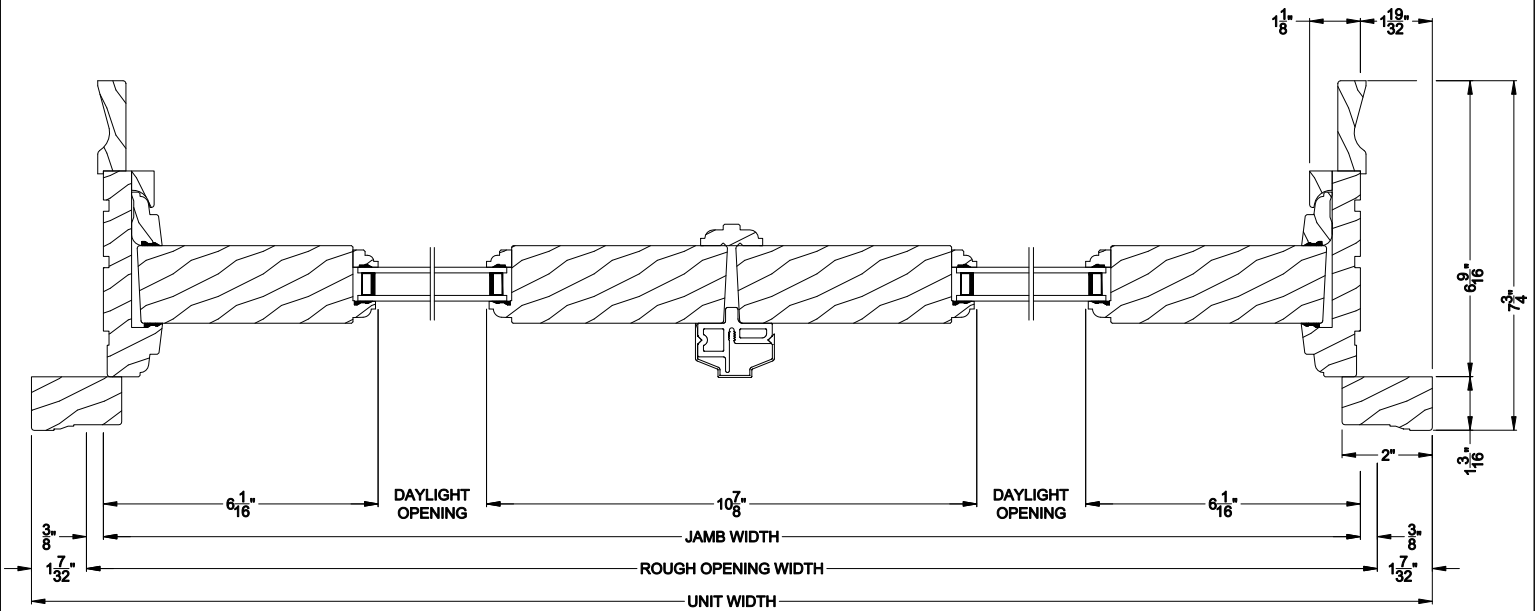


WEATHER SHIELD OUTSWING DOOR TRANSOM (630)

Vertical Section - With Panel - 6 9/16" jamb

WEATHER SHIELD OUTSWING DOOR TRANSOM (630)

Horizontal Section - With 1 Panel - 6 9/16" jamb



WEATHER SHIELD OUTSWING DOOR TRANSOM (630)

Horizontal Section - With 2 Panels - 6 9/16" jamb

Note: All dimensions are approximate. Weather Shield reserves the right to change specifications without notice.