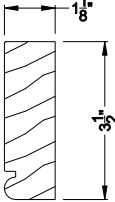
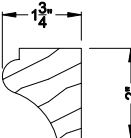
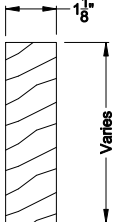
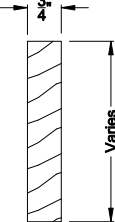
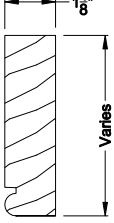
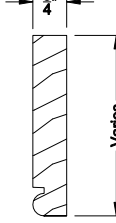
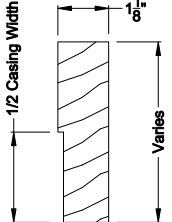
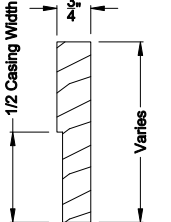
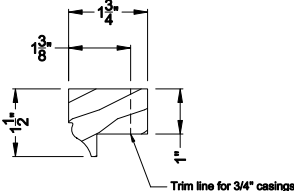
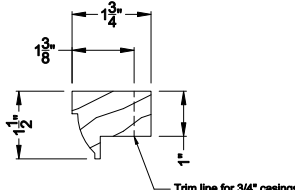
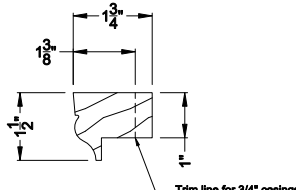
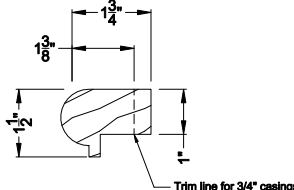

Brickmould	Stucco Mould	Washington K style
		
Franklin Casing	Staff Bead	1-1/8" Flat Casing
		
3/4" Flat Casing	1-1/8" Beaded Casing	3/4" Beaded Casing
		
1-1/8" Stepped Casing	3/4" Stepped Casing	Back Band #9526
		
Back Band #9528	Back Band #9529	Back Band #9530

Note: All dimensions are approximate. Weather Shield reserves the right to change specifications without notice.

<p>Back Band #9531</p>	<p>Back Band #9532</p>	<p>Back Band #9533</p>
<p>Back Band #9534</p>	<p>Back Band #9535</p>	<p>For Casements & Awnings Standard Subsill</p>
<p>For Casements & Awnings New England Subsill</p>	<p>For Casements & Awnings Subsill #9519</p>	<p>For Casements & Awnings Subsill #9521</p>
<p>For Casements & Awnings Subsill #9524</p>	<p>For Tilts & Sliders Standard Sill Nose</p>	<p>For Tilts & Sliders New England Sill Nose</p>
<p>For Tilts & Sliders #9518 Sill Nose</p>	<p>For Tilts & Sliders #9520 Sill Nose</p>	<p>For Tilts & Sliders #9523 Sill Nose</p>

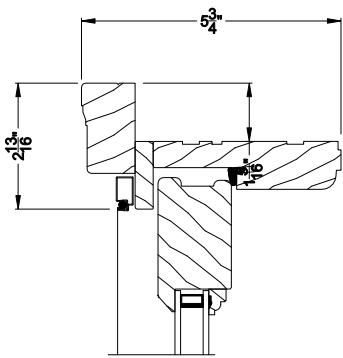
Note: All dimensions are approximate. Weather Shield reserves the right to change specifications without notice.

Weather Shield®

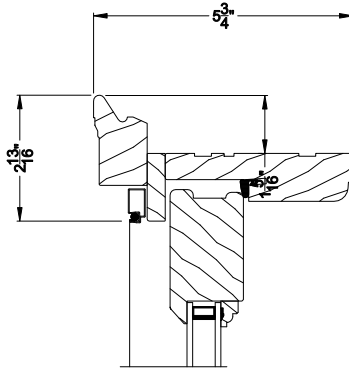
Weather Shield Series™

Trim Applications Exterior

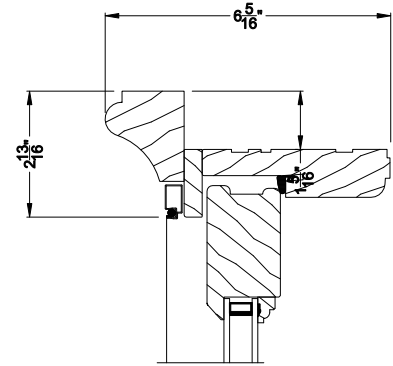
CROSS SECTION DETAILS



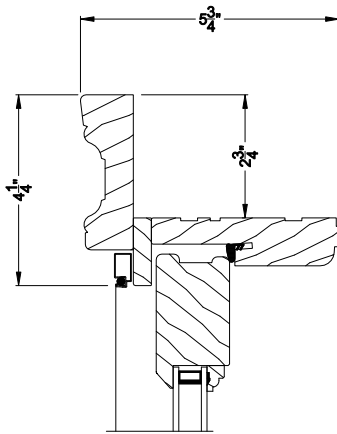
BRICKMOULD
Head Section Detail



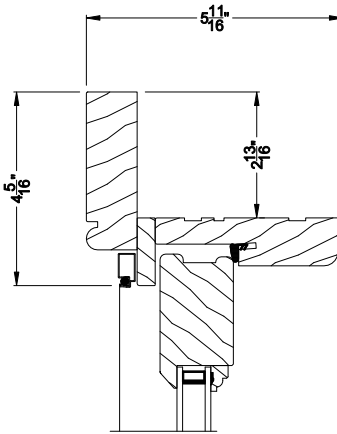
STUCCO MOULD
Head Section Detail



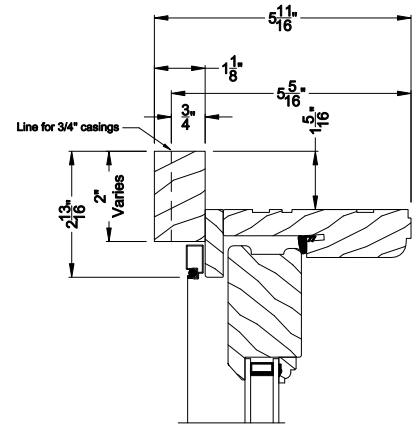
STAFF BEAD
Head Section Detail



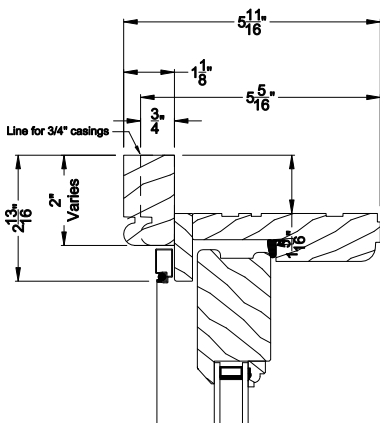
WASHINGTON K STYLE
Head Section Detail



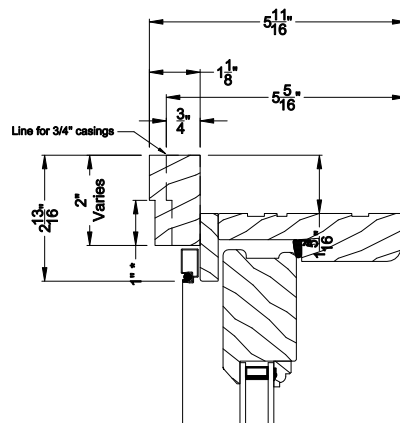
FRANKLIN CASING
Head Section Detail



1-1/8" & 3/4" FLAT CASING
Head Section Detail



1-1/8" & 3/4" BEADED CASING
Head Section Detail



1-1/8" & 3/4" STEPPED CASING
Head Section Detail

* Step Height is 1/2 of total width

** Flat, Beaded & Stepped Casing Height for Rectangular Units ranges between 2" to 6"

*** Flat, Beaded & Stepped Casing Height for Radius Units ranges between 2" to 4"

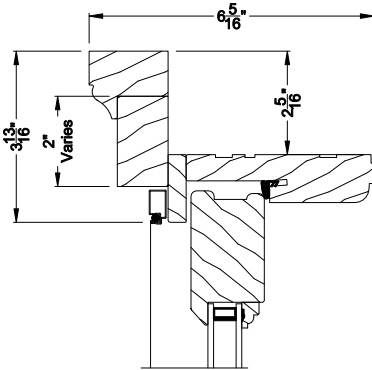
Note: All dimensions are approximate. Weather Shield reserves the right to change specifications without notice.

Weather Shield®

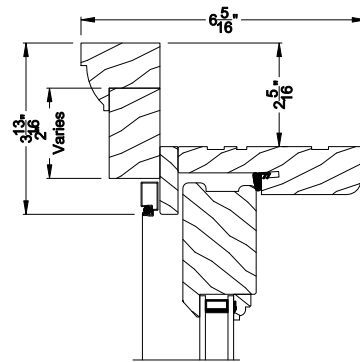
Weather Shield Series™

Trim Applications Exterior

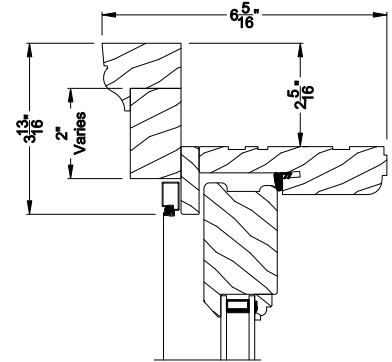
CROSS SECTION DETAILS



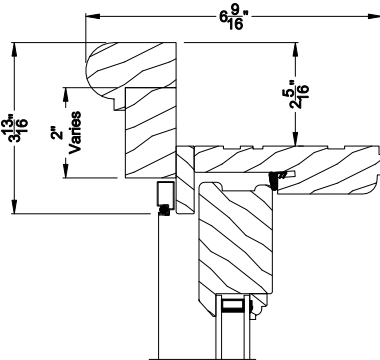
**1-1/8" FLAT CASING
w/ BACK BAND #9526**
Head Section Detail



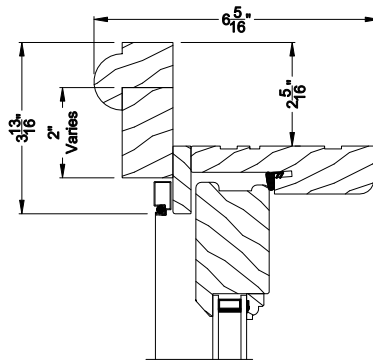
**1-1/8" FLAT CASING
w/ BACK BAND #9528**
Head Section Detail



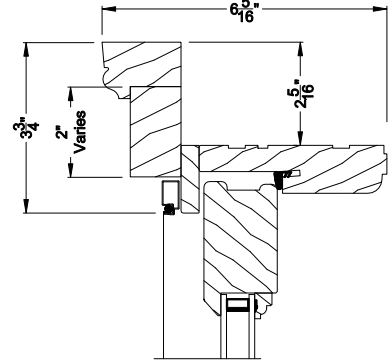
**1-1/8" FLAT CASING
w/ BACK BAND #9529**
Head Section Detail



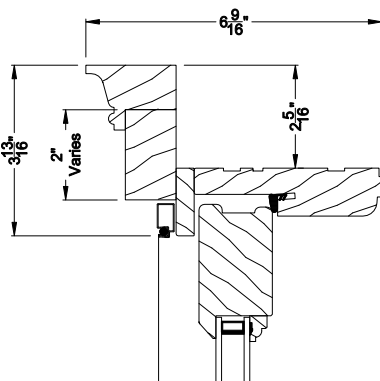
**1-1/8" FLAT CASING
w/ BACK BAND #9530**
Head Section Detail



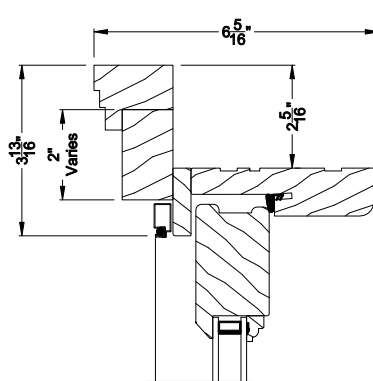
**1-1/8" FLAT CASING
w/ BACK BAND #9531**
Head Section Detail



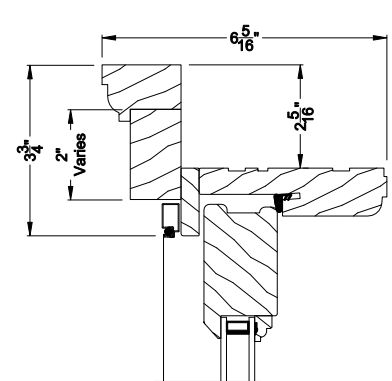
**1-1/8" FLAT CASING
w/ BACK BAND #9532**
Head Section Detail



**1-1/8" FLAT CASING
w/ BACK BAND #9533**
Head Section Detail



**1-1/8" FLAT CASING
w/ BACK BAND #9534**
Head Section Detail



**1-1/8" FLAT CASING
w/ BACK BAND #9535**
Head Section Detail

** Casing Height for Standard Units ranges between 2" to 6"

*** Casing Height for Radius Units ranges between 2" to 4"

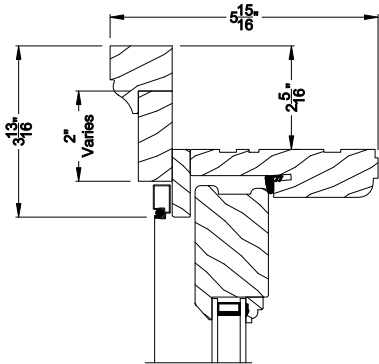
Note: All dimensions are approximate. Weather Shield reserves the right to change specifications without notice.

Weather Shield®

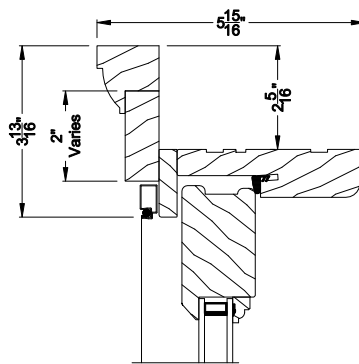
Weather Shield Series™

Trim Applications Exterior

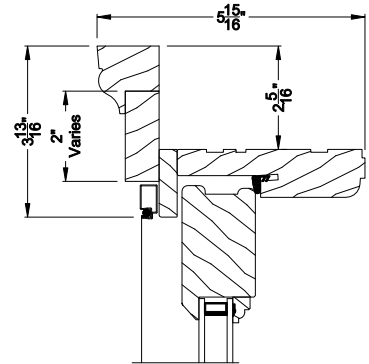
CROSS SECTION DETAILS



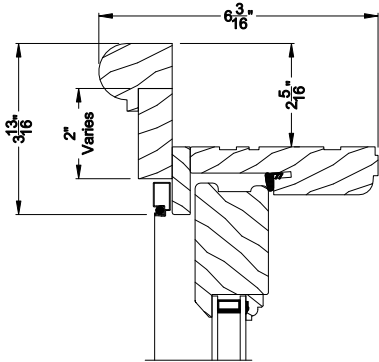
**3/4" FLAT CASING
w/ BACK BAND #9526**
Head Section Detail



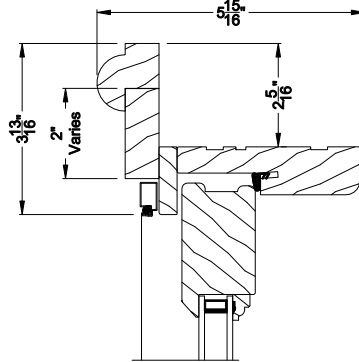
**3/4" FLAT CASING
w/ BACK BAND #9528**
Head Section Detail



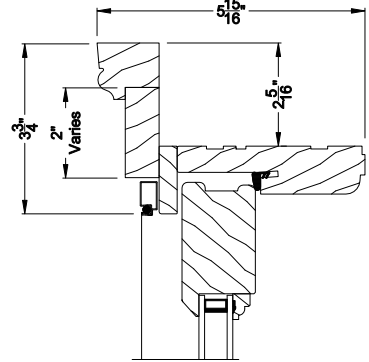
**3/4" FLAT CASING
w/ BACK BAND #9529**
Head Section Detail



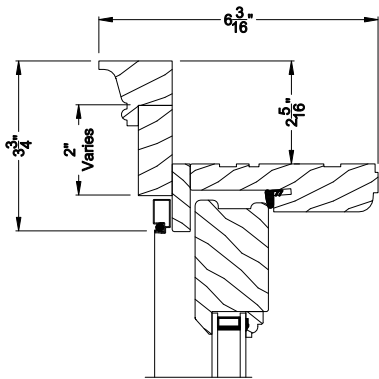
**3/4" FLAT CASING
w/ BACK BAND #9530**
Head Section Detail



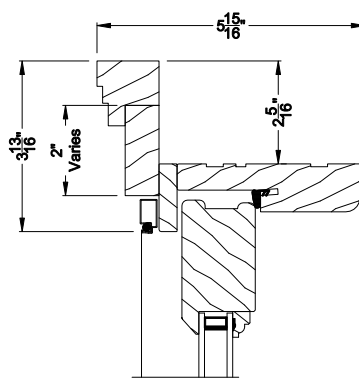
**3/4" FLAT CASING
w/ BACK BAND #9531**
Head Section Detail



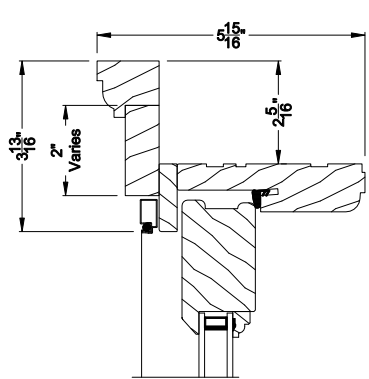
**3/4" FLAT CASING
w/ BACK BAND #9532**
Head Section Detail



**3/4" FLAT CASING
w/ BACK BAND #9533**
Head Section Detail



**3/4" FLAT CASING
w/ BACK BAND #9534**
Head Section Detail



**3/4" FLAT CASING
w/ BACK BAND #9535**
Head Section Detail

** Casing Height for Standard Units ranges between 2" to 6"

*** Casing Height for Radius Units ranges between 2" to 4"

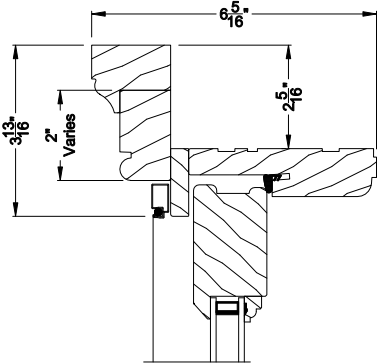
Note: All dimensions are approximate. Weather Shield reserves the right to change specifications without notice.

Weather Shield®

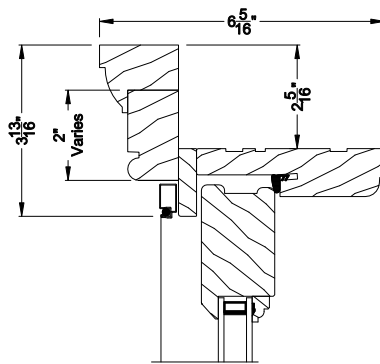
Weather Shield Series™

Trim Applications Exterior

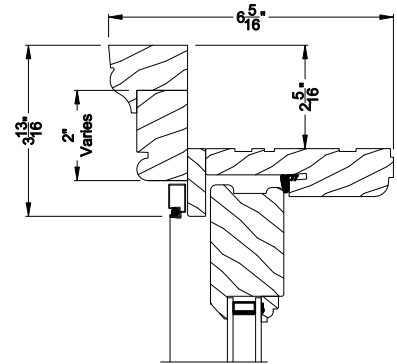
CROSS SECTION DETAILS



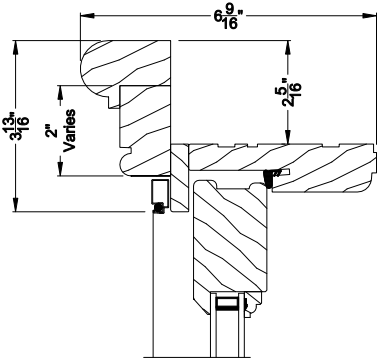
1-1/8" BEADED CASING
w/ BACK BAND #9526
Head Section Detail



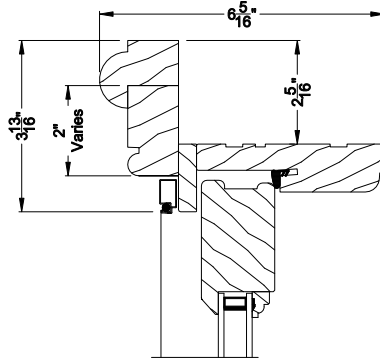
1-1/8" BEADED CASING
w/ BACK BAND #9528
Head Section Detail



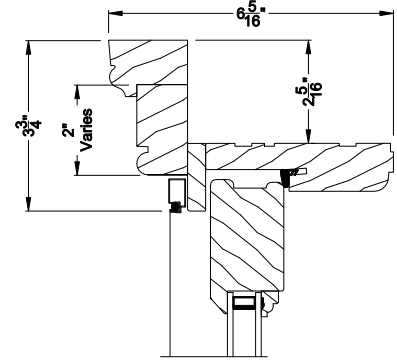
1-1/8" BEADED CASING
w/ BACK BAND #9529
Head Section Detail



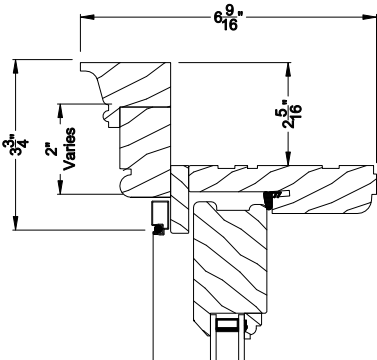
1-1/8" BEADED CASING
w/ BACK BAND #9530
Head Section Detail



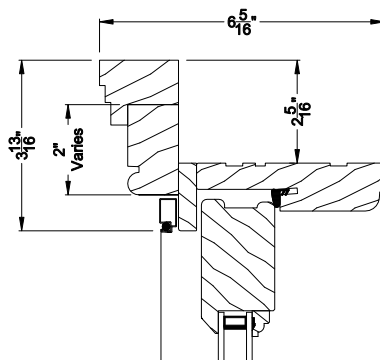
1-1/8" BEADED CASING
w/ BACK BAND #9531
Head Section Detail



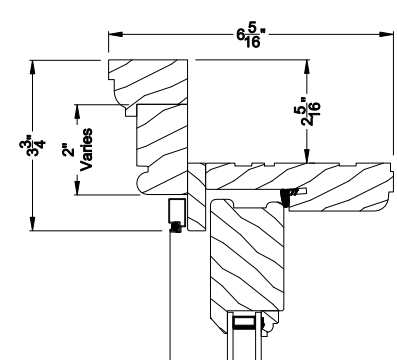
1-1/8" BEADED CASING
w/ BACK BAND #9532
Head Section Detail



1-1/8" BEADED CASING
w/ BACK BAND #9533
Head Section Detail



1-1/8" BEADED CASING
w/ BACK BAND #9534
Head Section Detail



1-1/8" BEADED CASING
w/ BACK BAND #9535
Head Section Detail

** Casing Height for Standard Units ranges between 2" to 6"

*** Casing Height for Radius Units ranges between 2" to 4"

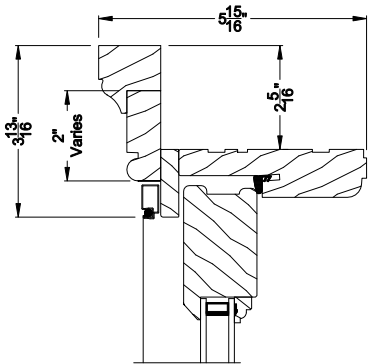
Note: All dimensions are approximate. Weather Shield reserves the right to change specifications without notice.

Weather Shield®

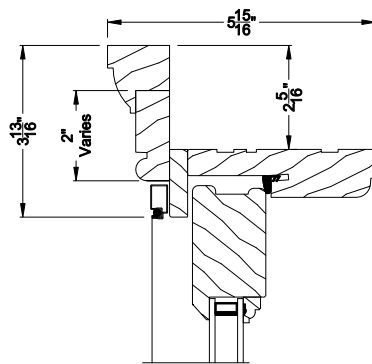
Weather Shield Series™

Trim Applications Exterior

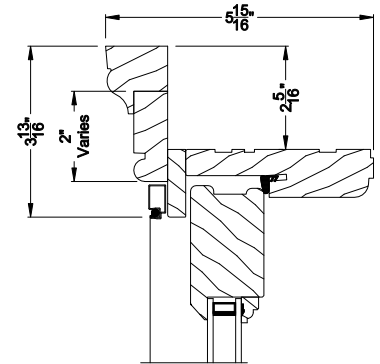
CROSS SECTION DETAILS



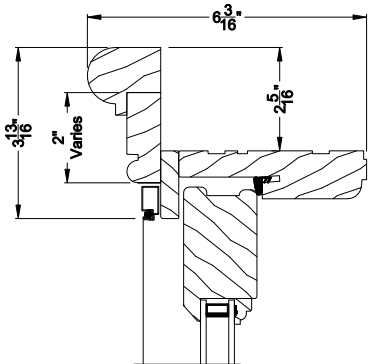
**3/4" BEADED CASING
w/ BACK BAND #9528**
Head Section Detail



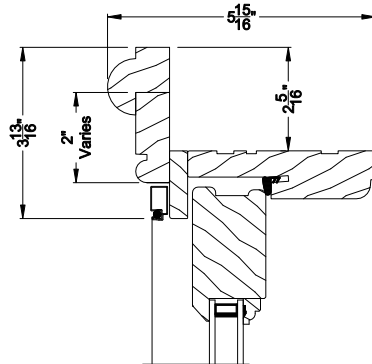
**3/4" BEADED CASING
w/ BACK BAND #9528**
Head Section Detail



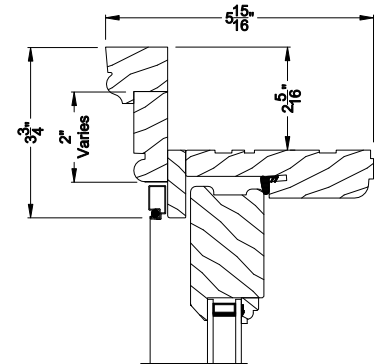
**3/4" BEADED CASING
w/ BACK BAND #9529**
Head Section Detail



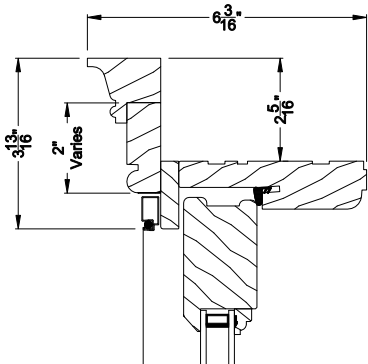
**3/4" BEADED CASING
w/ BACK BAND #9530**
Head Section Detail



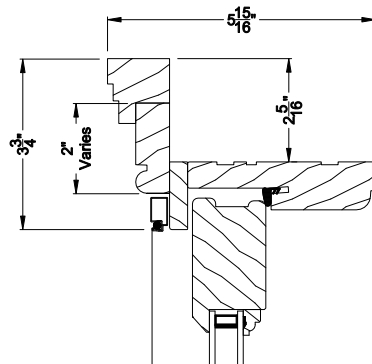
**3/4" BEADED CASING
w/ BACK BAND #9531**
Head Section Detail



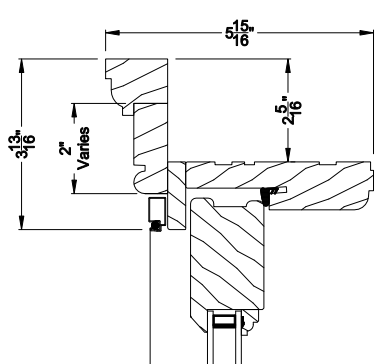
**3/4" BEADED CASING
w/ BACK BAND #9532**
Head Section Detail



**3/4" BEADED CASING
w/ BACK BAND #9533**
Head Section Detail



**3/4" BEADED CASING
w/ BACK BAND #9534**
Head Section Detail



**3/4" BEADED CASING
w/ BACK BAND #9535**
Head Section Detail

** Casing Height for Standard Units ranges between 2" to 6"

*** Casing Height for Radius Units ranges between 2" to 4"

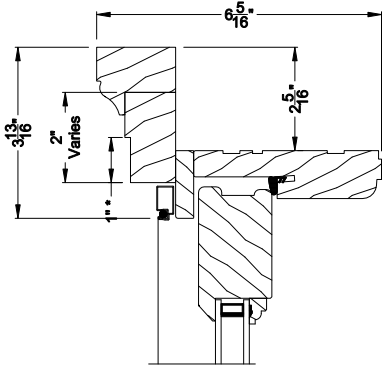
Note: All dimensions are approximate. Weather Shield reserves the right to change specifications without notice.

Weather Shield®

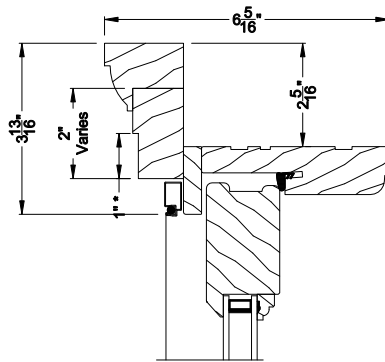
Weather Shield Series™

Trim Applications Exterior

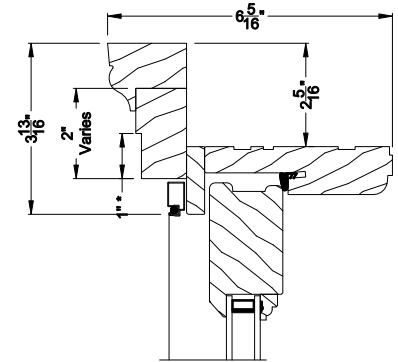
CROSS SECTION DETAILS



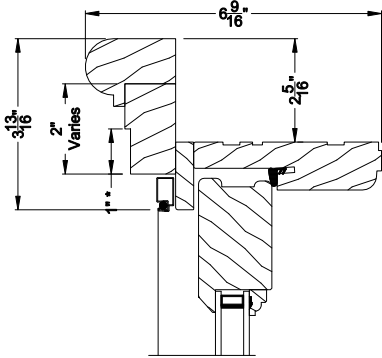
**1-1/8" STEPPED CASING
w/ BACK BAND #9526**
Head Section Detail



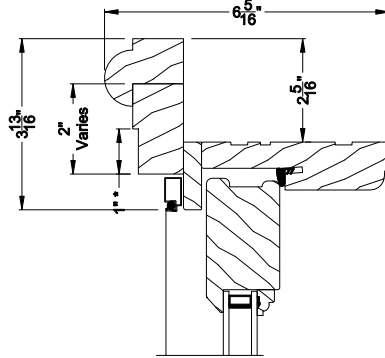
**1-1/8" STEPPED CASING
w/ BACK BAND #9528**
Head Section Detail



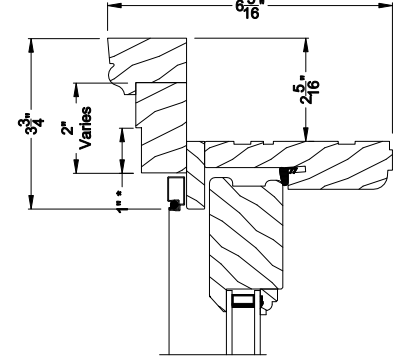
**1-1/8" STEPPED CASING
w/ BACK BAND #9529**
Head Section Detail



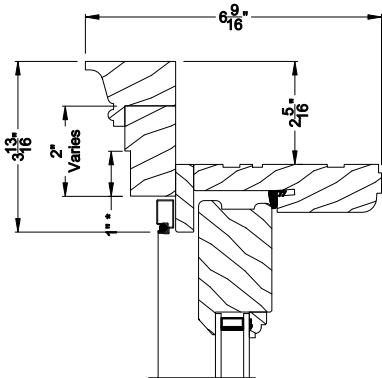
**1-1/8" STEPPED CASING
w/ BACK BAND #9530**
Head Section Detail



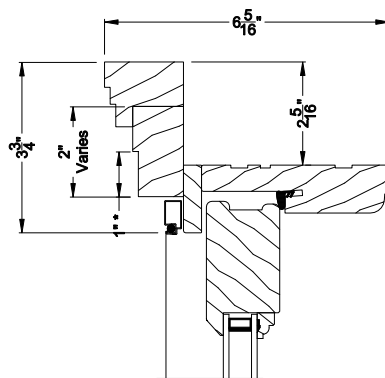
**1-1/8" STEPPED CASING
w/ BACK BAND #9531**
Head Section Detail



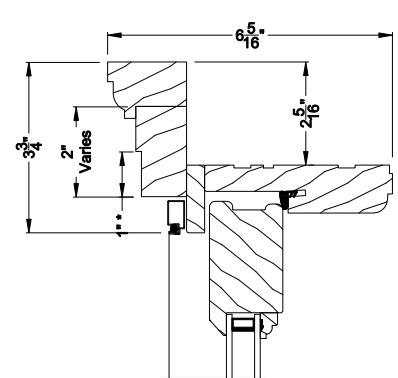
**1-1/8" STEPPED CASING
w/ BACK BAND #9532**
Head Section Detail



**1-1/8" STEPPED CASING
w/ BACK BAND #9533**
Head Section Detail



**1-1/8" STEPPED CASING
w/ BACK BAND #9534**
Head Section Detail



**1-1/8" STEPPED CASING
w/ BACK BAND #9535**
Head Section Detail

* Step Height is 1/2 of total width

** Casing Height for Standard Units ranges between 2" to 6"

*** Casing Height for Radius Units ranges between 2" to 4"

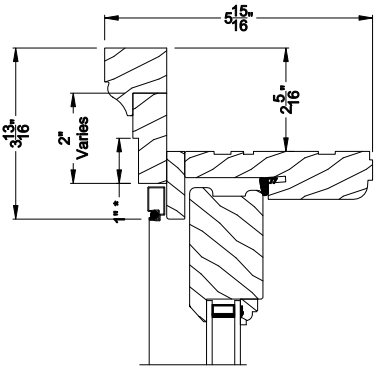
Note: All dimensions are approximate. Weather Shield reserves the right to change specifications without notice.

Weather Shield®

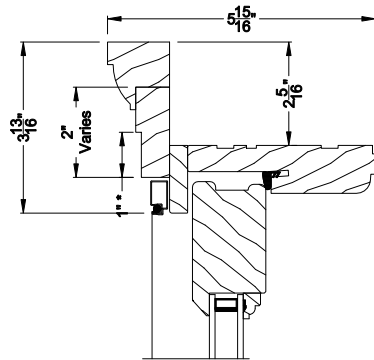
Weather Shield Series™

Trim Applications Exterior

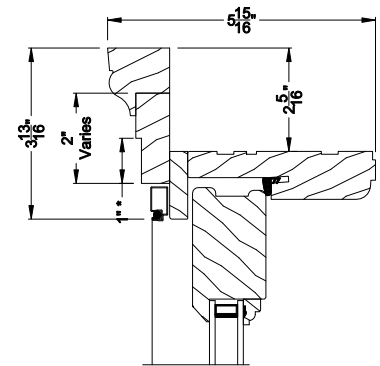
CROSS SECTION DETAILS



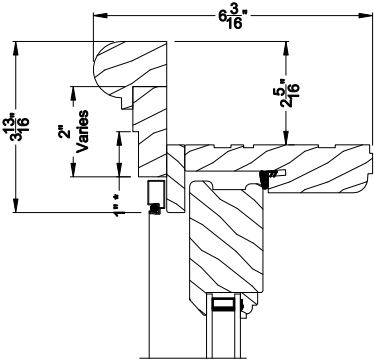
**3/4" STEPPED CASING
w/ BACK BAND #9526**
Head Section Detail



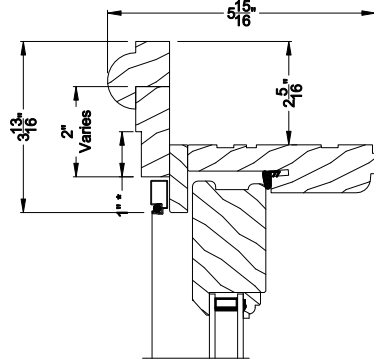
**3/4" STEPPED CASING
w/ BACK BAND #9528**
Head Section Detail



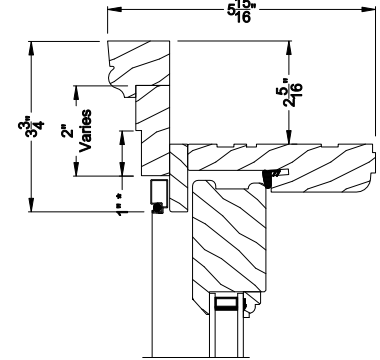
**3/4" STEPPED CASING
w/ BACK BAND #9529**
Head Section Detail



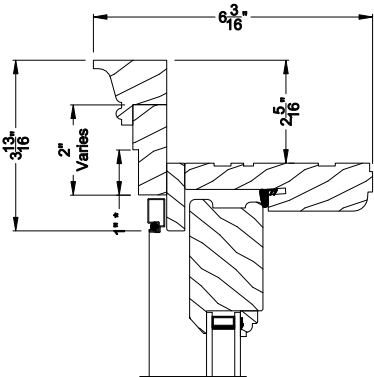
**3/4" STEPPED CASING
w/ BACK BAND #9530**
Head Section Detail



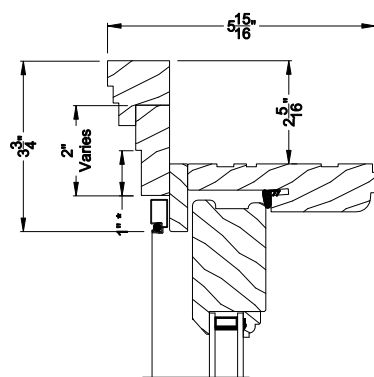
**3/4" STEPPED CASING
w/ BACK BAND #9531**
Head Section Detail



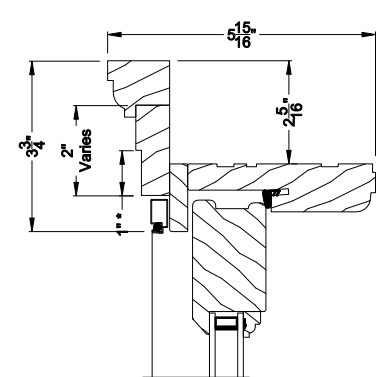
**3/4" STEPPED CASING
w/ BACK BAND #9532**
Head Section Detail



**3/4" STEPPED CASING
w/ BACK BAND #9533**
Head Section Detail



**3/4" STEPPED CASING
w/ BACK BAND #9534**
Head Section Detail



**3/4" STEPPED CASING
w/ BACK BAND #9535**
Head Section Detail

* Step Height is 1/2 of total width

*** Casing Height for Radius Units ranges between 2" to 4"

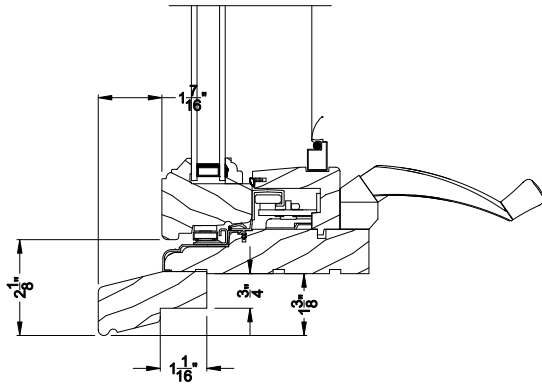
Note: All dimensions are approximate. Weather Shield reserves the right to change specifications without notice.

Weather Shield®

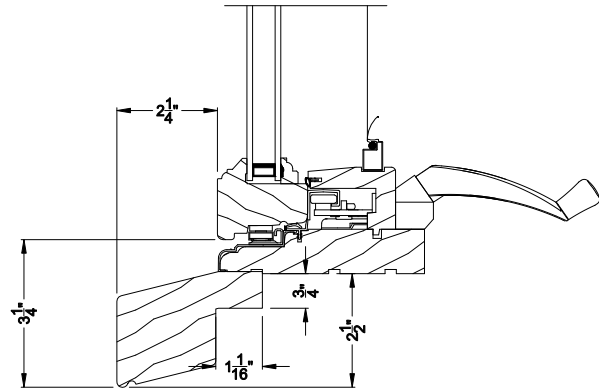
Weather Shield Series™

Trim Applications Exterior

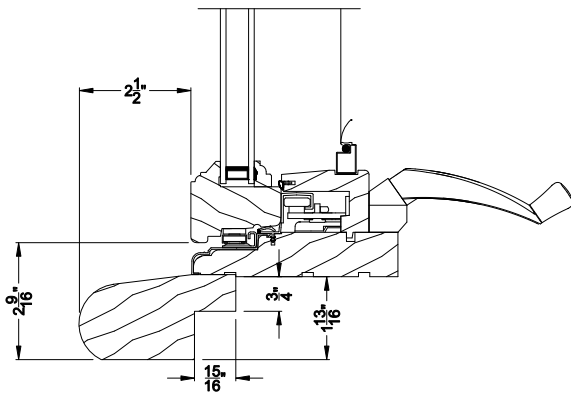
CROSS SECTION DETAILS



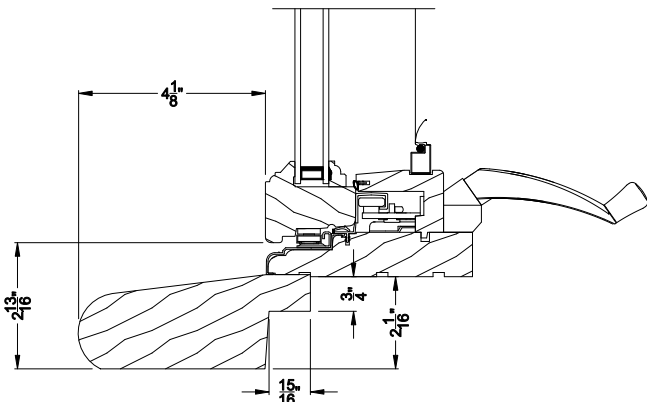
STANDARD SUBSILL
Sill Section Detail
For Casements & Awnings



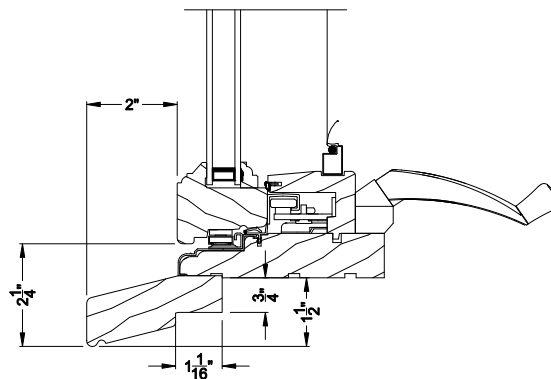
NEW ENGLAND SUBSILL
Sill Section Detail
For Casements & Awings



SUBSILL #9519
Sill Section Detail
For Casements & Awings

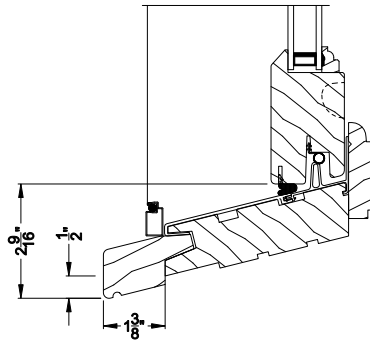


SUBSILL #9521
Sill Section Detail
For Casements & Awings

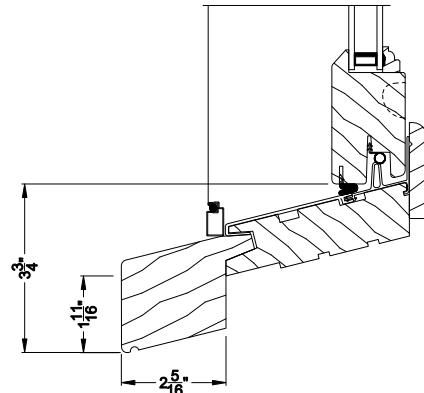


SUBSILL #9524
Sill Section Detail
For Casements & Awings

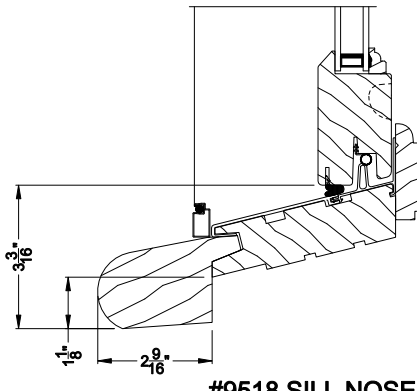
Note: All dimensions are approximate. Weather Shield reserves the right to change specifications without notice.



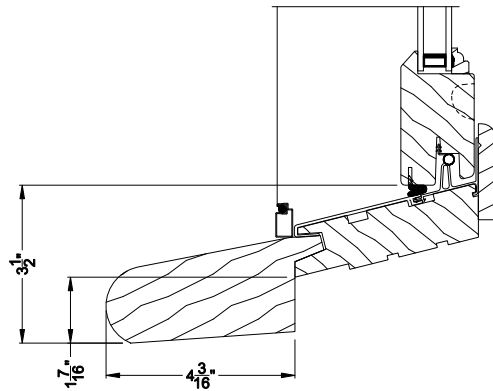
STANDARD SILL NOSE
Sill Section Detail
For Tilts & Sliders



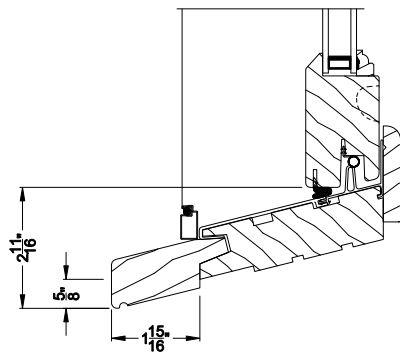
NEW ENGLAND SILL NOSE
Sill Section Detail
For Tilts & Sliders



#9518 SILL NOSE
Sill Section Detail
For Tilts & Sliders



#9520 SILL NOSE
Sill Section Detail
For Tilts & Sliders



#9523 SILL NOSE
Sill Section Detail
For Tilts & Sliders

Note: All dimensions are approximate. Weather Shield reserves the right to change specifications without notice.